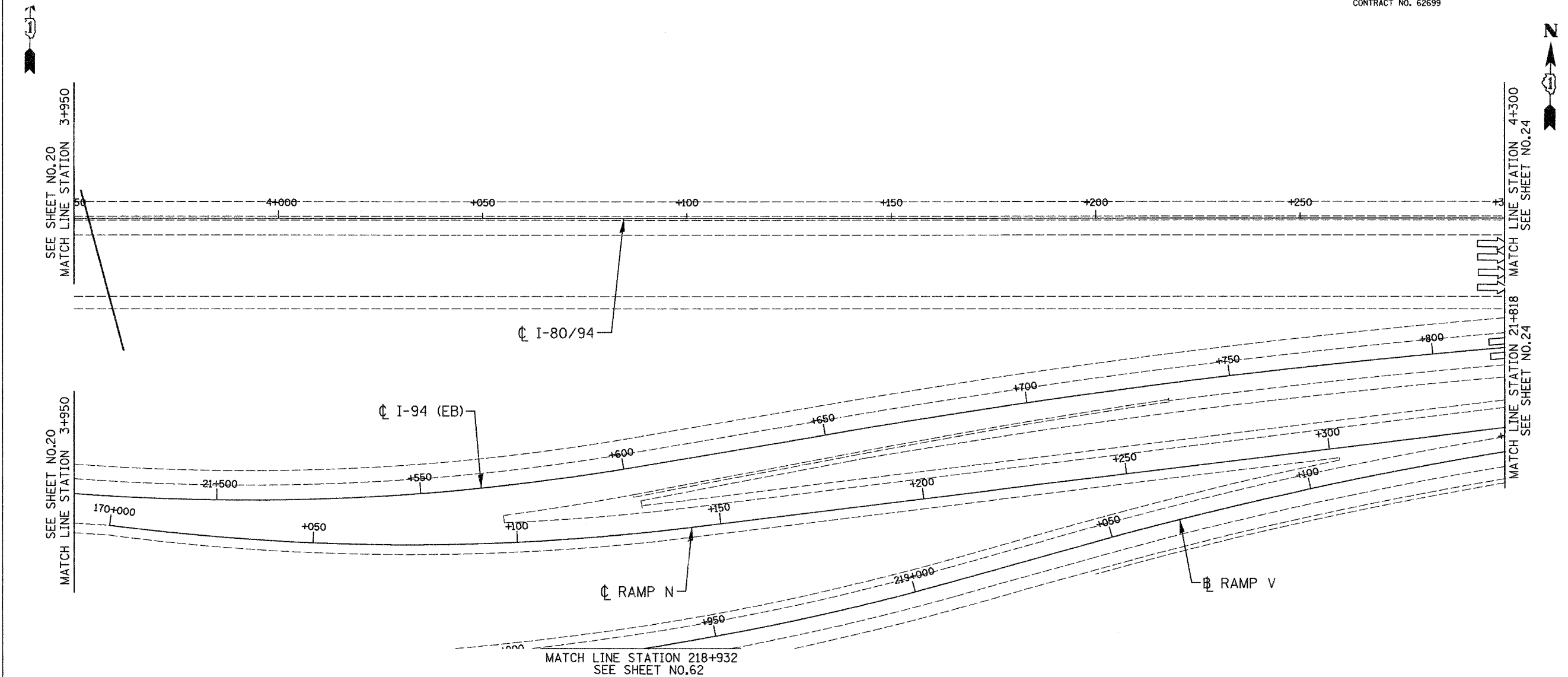
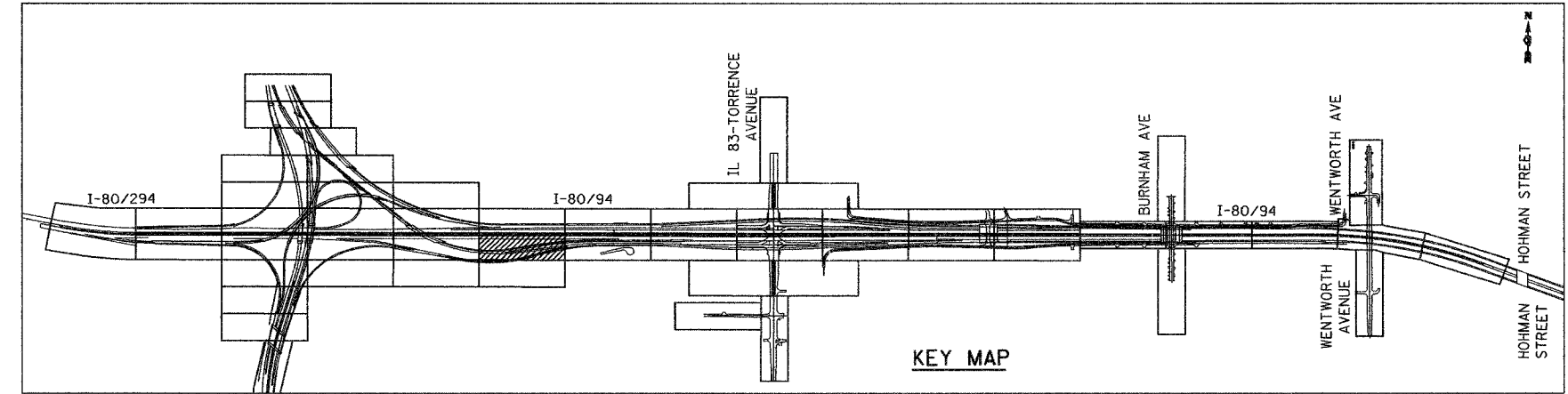


ALL DIMENSIONS IN METERS EXCEPT PAY ITEMS AND UNLESS NOTED OTHERWISE

F.A.I. RTE. 80/94	SECTION 2003-106LS	COUNTY COOK	TOTAL SHEETS 88	SHEET NO. 22
STA. 80/94		TO STA. 80/94		
FED. ROAD DIST. NO.		ILLINOIS FED. AID PROJECT		
CONTRACT NO. 62699				



12/13/06
 09:30 AM
 G:\PROJECT\20040801\CADD\Contract LS\LS_11.rvt



**NO CONTRACT WORK
ON THIS SHEET**

LSM - 11

REVISIONS	
NAME	DATE

ILLINOIS DEPARTMENT OF TRANSPORTATION
 I-80/94/US 6
 KINGERY-BORMAN EXPRESSWAY
 BURNHAM ROAD TO US 41
LANDSCAPING PLAN
 KINGERY EXPRESSWAY I - 80/94

SCALE 1:500
 DATE 12/13/06

DRAWN BY ACE/CAD
 CHECKED BY TJW

AMERICAN
 CONSULTING ENGINEERS