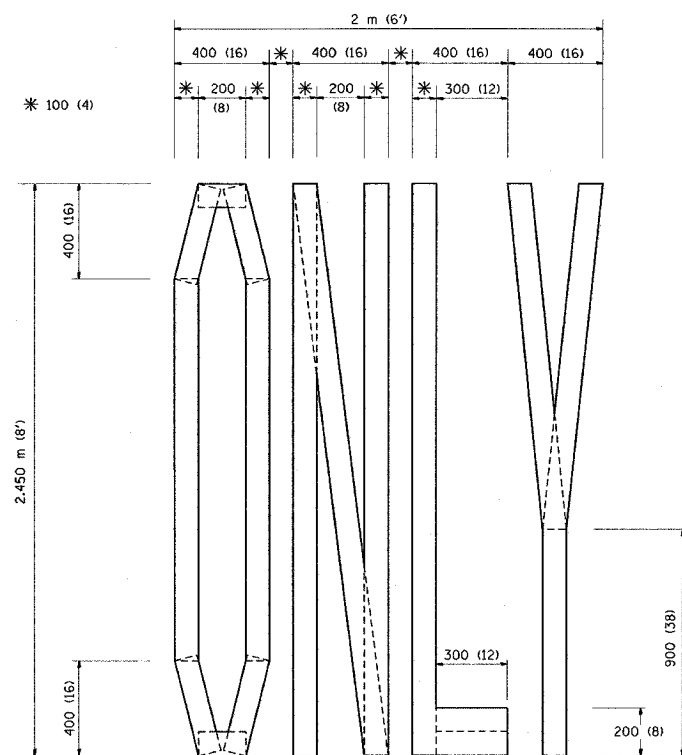
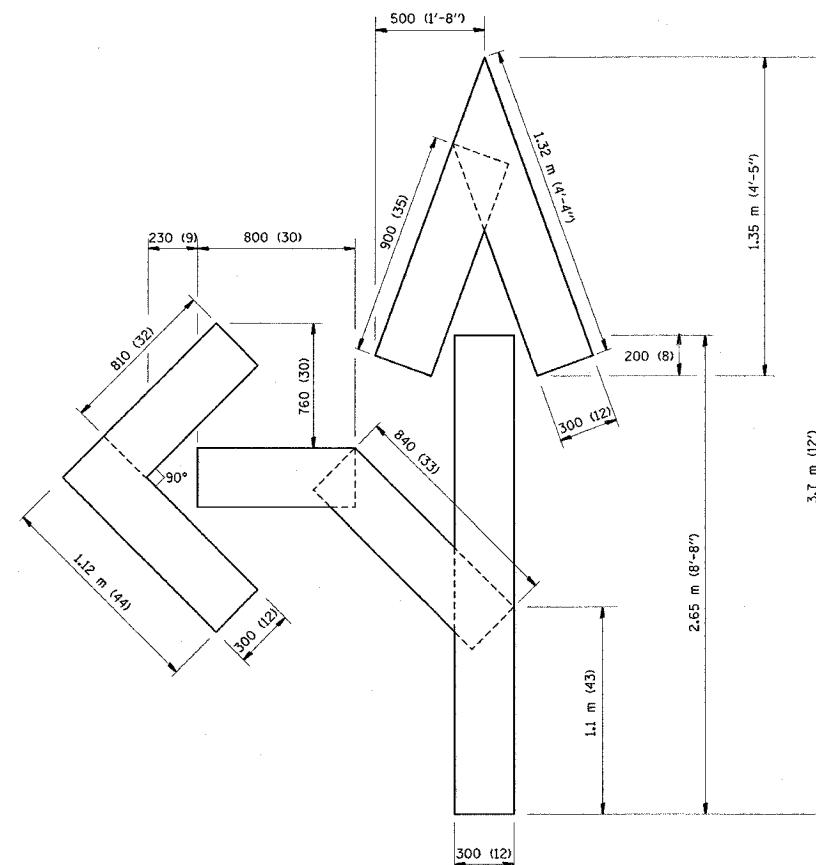


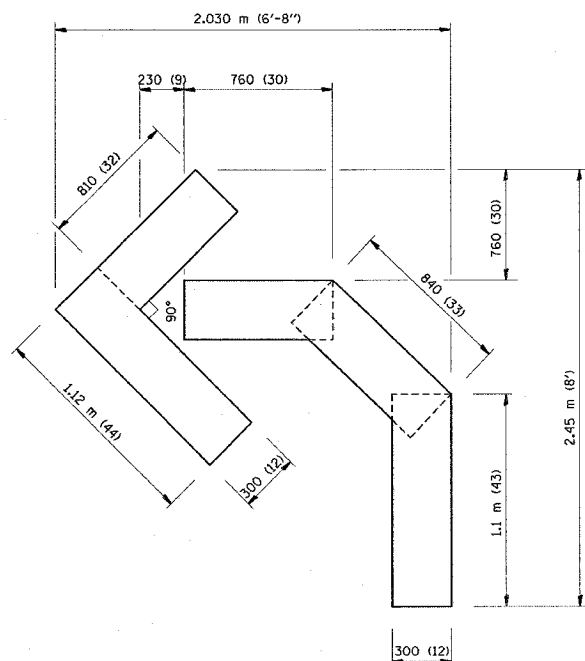
F.A.P. RTE.	SECTION	COUNTY	TOTAL SHEETS	SHEET NO.
372	3091 RS-4	COOK	27	25
STA.		TO STA.		
FED. ROAD DIST. NO.	ILLINOIS FED. AID PROJECT			



QUANTITY
 100 (4) LINE = 19.7 m (64.1 ft.)
 1.97 sq. m (21.1 sq. ft.)



QUANTITY
 100 (4) LINE = 25.3 m (82.5 ft.)
 2.53 sq. m (27.5 sq. ft.)



QUANTITY
 100 (4) LINE = 13.9 m (45.5 ft.)
 1.39 sq. m (15.2 sq. ft.)

All dimensions are in millimeters (Inches) unless otherwise shown.

REVISIONS	
NAME	DATE
T. RAMMACHER	09/18/94
J. OBERLE	06/01/96
T. RAMMACHER	06/05/96
T. RAMMACHER	11/04/97
T. RAMMACHER	03/02/98
E. GOMEZ	08/28/00

ILLINOIS DEPARTMENT OF TRANSPORTATION

PAVEMENT MARKING
 LETTERS AND SYMBOLS
 FOR TRAFFIC STAGING

SCALE: NONE
 DATE: 12/21/2006

DRAWN BY CADD
 CHECKED BY

TC-16

REVISION DATE: 08/28/00