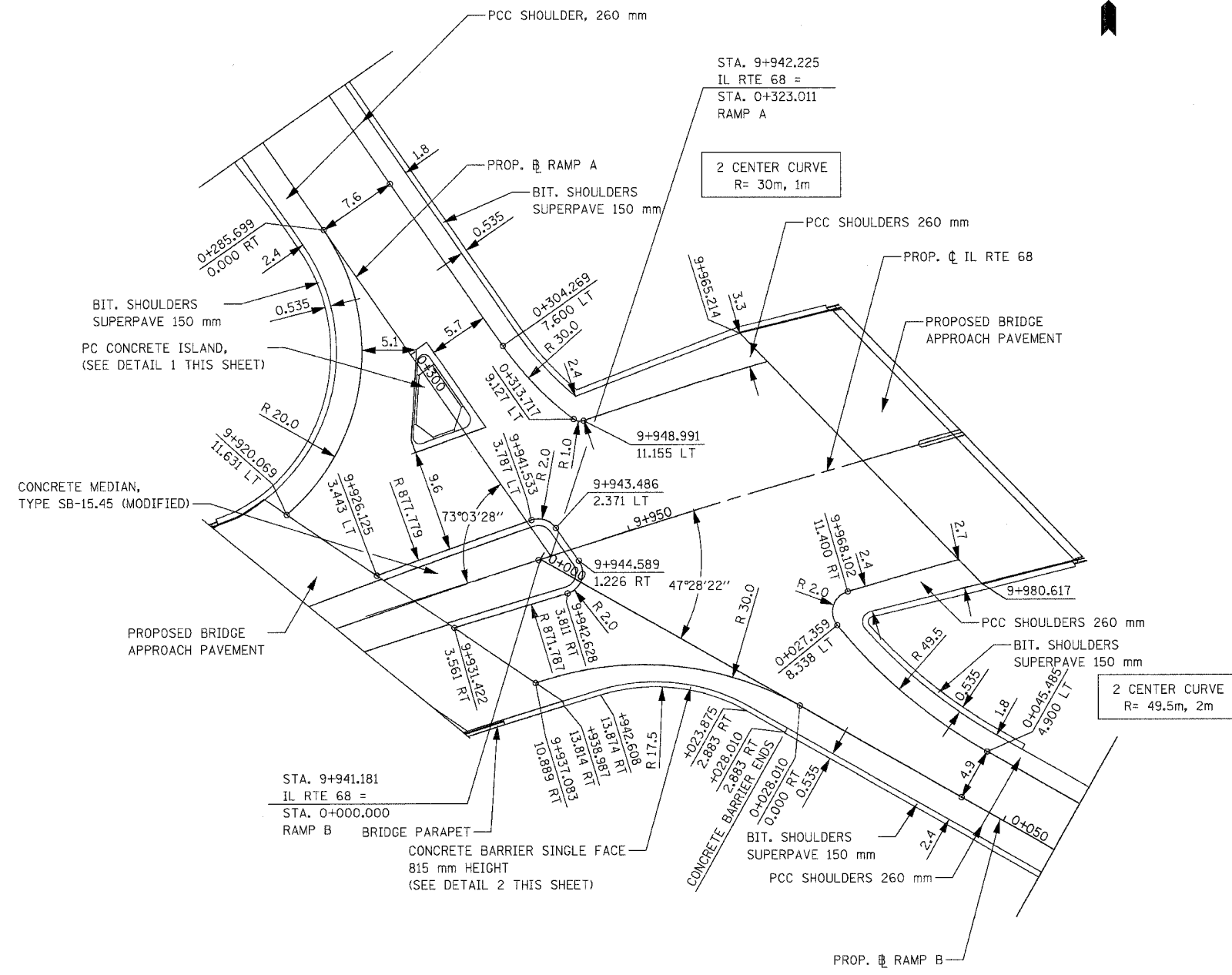
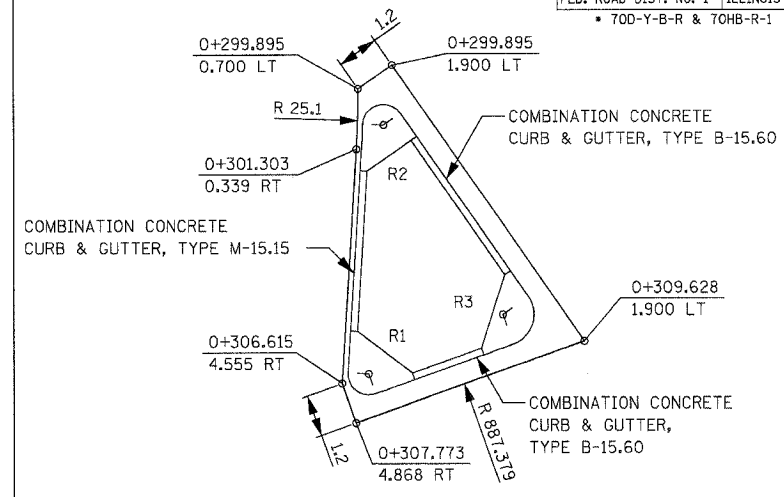


F.A.P. RTE.	SECTION	COUNTY	TOTAL SHEETS	SHEET NO.
343	*	COOK	283	90
STA. 9+713.000		TO STA. 10+151.000		
FED. ROAD DIST. NO. 1		ILLINOIS	FED. AID PROJECT	
* 70D-Y-B-R & 70HB-R-1		62897		



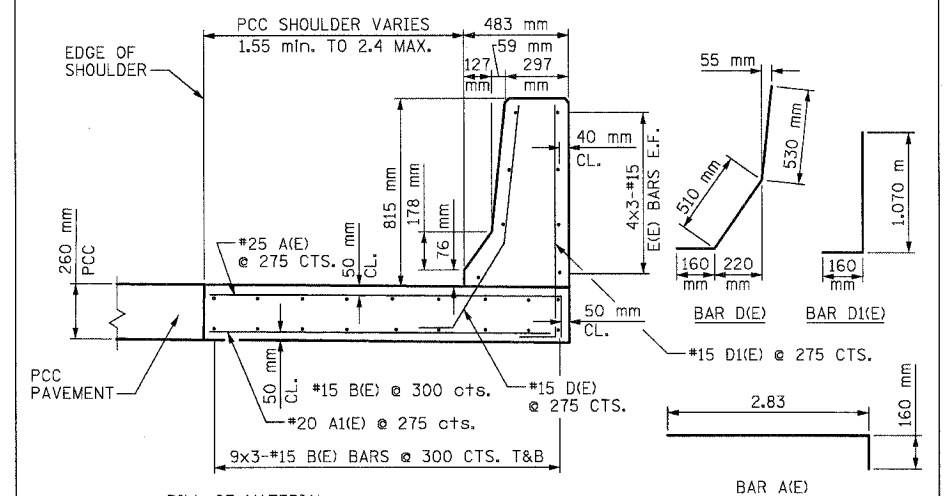
- NOTES:**
1. ALL DIMENSIONS ARE IN METERS (m) UNLESS OTHERWISE NOTED.
 2. FOR BRIDGE APPROACH PAVEMENT INFORMATION SEE BRIDGE APPROACH PAVEMENT DETAIL SHEETS.
 3. FOR MORE PC CONCRETE ISLAND AND MEDIAN INFORMATION SEE STANDARD 606301-02.



STATION OFFSET DATA FOR ISLAND RADII

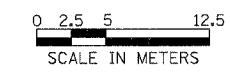
DESCRIPTION	IL RTE 68		
	STATION	OFFSET	RADIUS
R1	0+306.828	3.767 RT	0.6
R2	0+301.183	0.700 LT	0.6
R3	0+307.655	0.400 LT	0.9

DETAIL 1 SCALE 1:100



- NOTES:**
1. FOR BRIDGE PARAPET AND CONCRETE BARRIER ON THE PROPOSED BRIDGE APPROACH PAVEMENT SEE STRUCTURAL SHEETS.
 2. REINFORCEMENT BARS AND CONCRETE BASE SHALL BE INCIDENTAL TO CONCRETE BARRIER.
- MIN. BAR LAP**
- *15 Bars = 640 mm
 - *20 Bars = 790 mm
 - *25 Bars = 1.320m

DETAIL 2 SCALE: NOT TO SCALE



REVISIONS	
NAME	DATE

ILLINOIS DEPARTMENT OF TRANSPORTATION
ILLINOIS ROUTE 68
INTERSECTION LAYOUT
DETAILS - 1

SCALE 1:250
DATE OCTOBER, 2006

DRAWN BY GRH
CHECKED BY PK