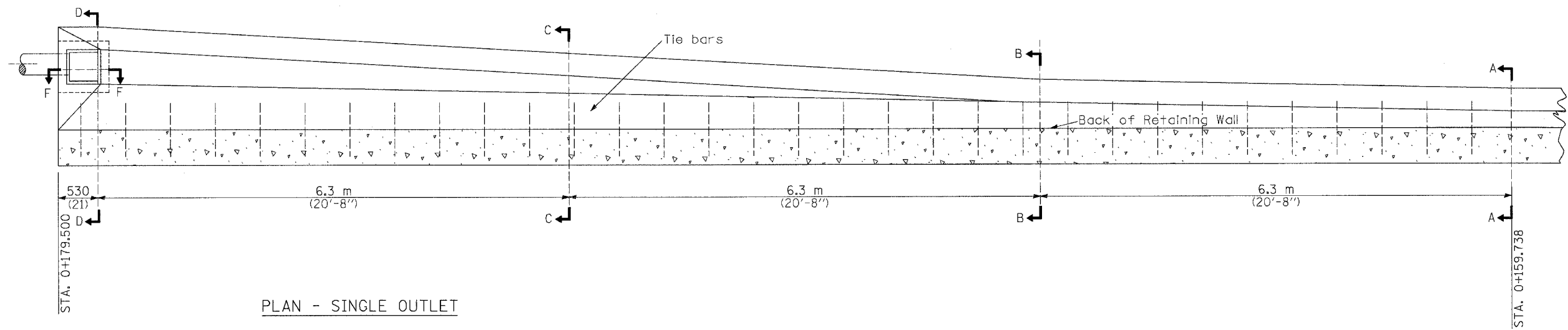
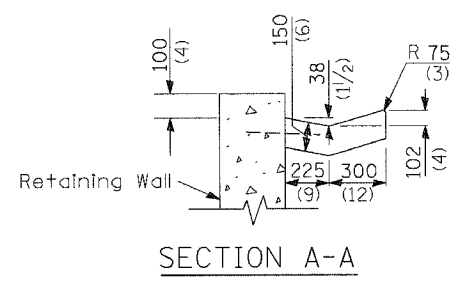


F.A.P. RTE.	SECTION	COUNTY	TOTAL SHEETS	SHEET NO.
343	*	COOK	283	98
STA. 9+713.000		TO STA. 10+151.000		
FED. ROAD DIST. NO. 1		ILLINOIS	FED. AID PROJECT	
* 700-Y-B-R & 7HB-R-1		62897		

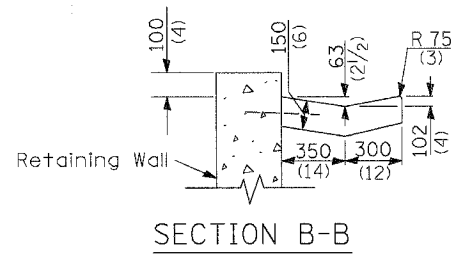


PLAN - SINGLE OUTLET

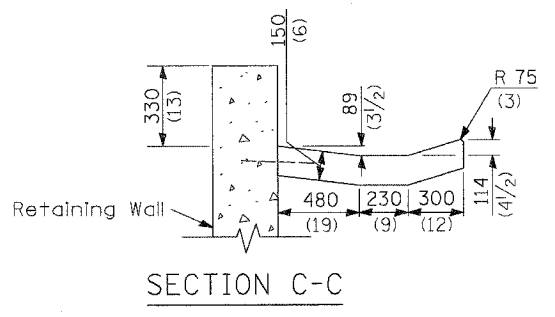
Material	Single
Concrete - m ³ (cu. yd.)	2.7 (3.5)
Cast Iron Grate - Ea. 37 kg (82 lbs.)	1
Pipe Drain - Dia. mm (in.)	300 (12)



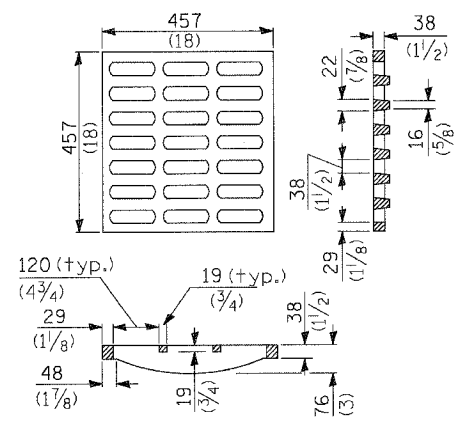
SECTION A-A



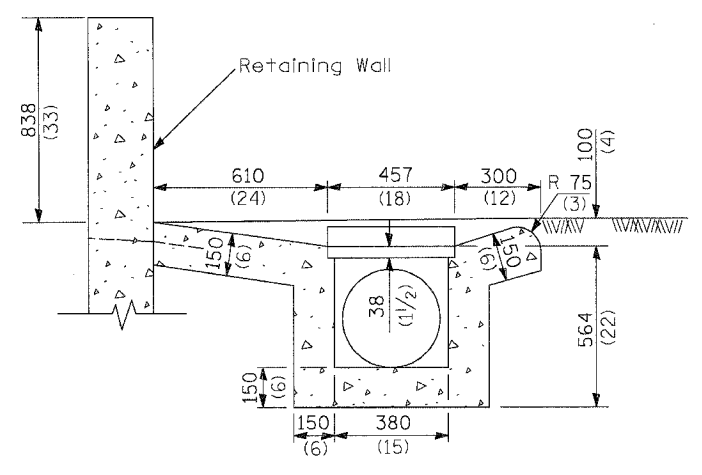
SECTION B-B



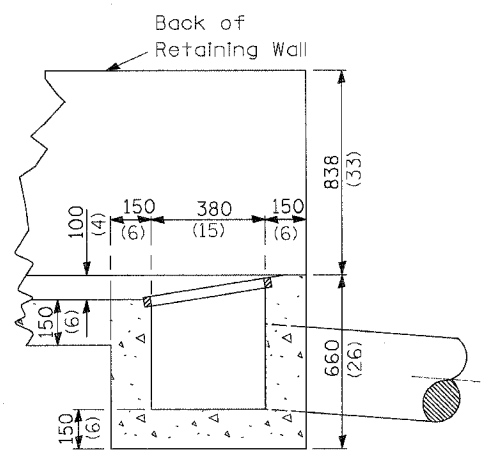
SECTION C-C



GRATE TYPE B



SECTION D-D



SECTION F-F

GENERAL NOTES

1. Tie bars shall be No. 20 (No. 6) at 600 mm (24") centers unless otherwise shown.
 2. The grade behind the Retaining Wall for the distance A-D is 8.5%. This distance has been increased in accordance with IDOT Standard 606206.
 3. See Drainage Schedule for invert and Rim information.
 4. See Proposed Drainage Plans for more information.
 5. See Structural Plans for more Retaining Wall information.
- All dimensions are in millimeters (Inches) unless otherwise shown.

REVISIONS		ILLINOIS DEPARTMENT OF TRANSPORTATION
NAME	DATE	
		<p>OUTLET TYPE 1 (MODIFIED) FOR TYPE B GUTTER AT THE BACK OF THE RETAINING WALL AT STA. 0+179.500</p> <p>SCALE NTS DRAWN BY GRH</p> <p>DATE OCTOBER, 2006 CHECKED BY PK</p>