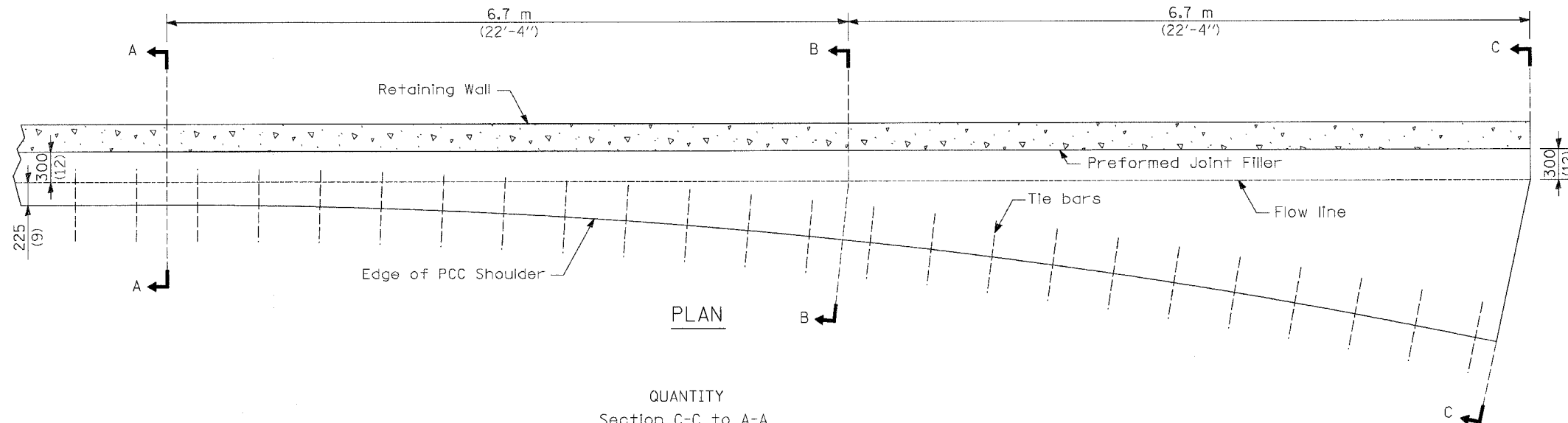
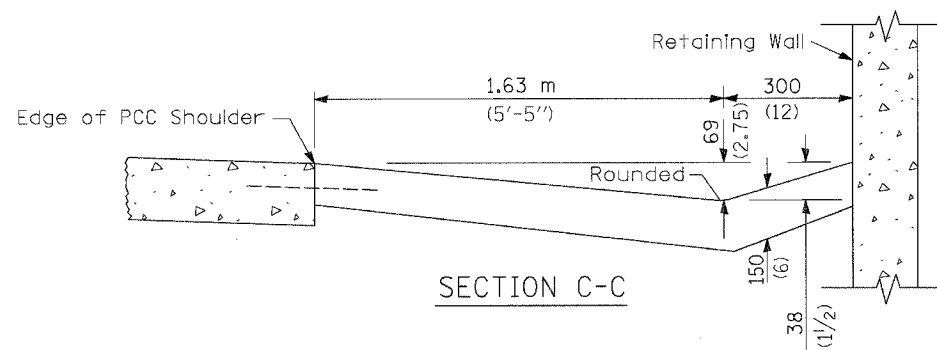
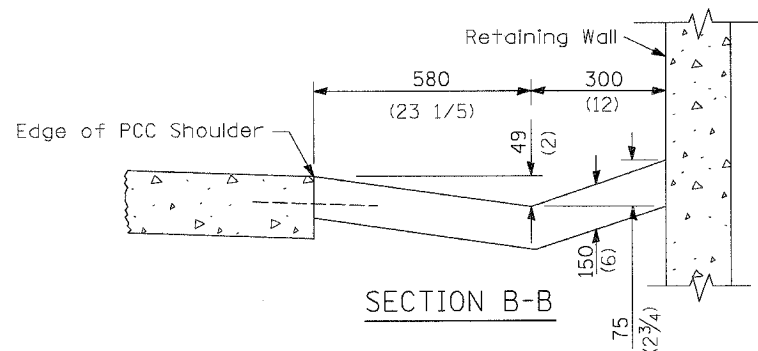
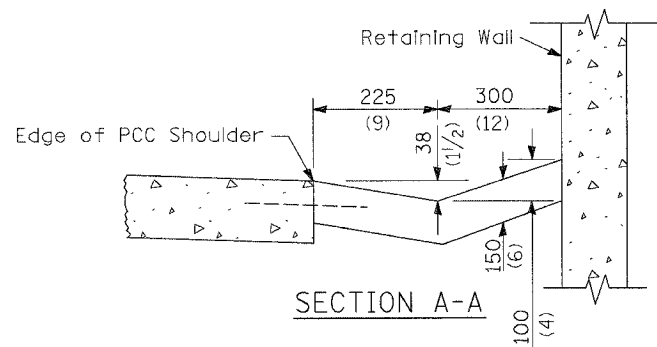


F.A.P. RTE.	SECTION	COUNTY	TOTAL SHEETS	SHEET NO.
343		COOK	283	99
STA. 9+713.000		TO STA. 10+151.000		
FED. ROAD DIST. NO. 1		ILLINOIS	FED. AID PROJECT	
• 700-Y-B-R & 7HB-R-1		62897		



QUANTITY  
Section C-C to A-A  
1.97 m<sup>3</sup> (2.58 cu. yd.)  
concrete.



INLET

### GENERAL NOTES

1. Tie bars shall be No. 20 (No. 6) at 600 mm (24") centers unless otherwise shown.
2. Gutter inlet shall be tied to the pavement in accordance with details for longitudinal construction joint shown on Standard 420001.
3. See Structural Plans for more Retaining Wall information.

All dimensions are in millimeters (inches) unless otherwise shown.

REVISIONS		ILLINOIS DEPARTMENT OF TRANSPORTATION
NAME	DATE	
		<b>TYPE B GUTTER INLET (MODIFIED)</b>  SCALE NTS DATE OCTOBER, 2006

DRAWN BY GRH  
CHECKED BY PK