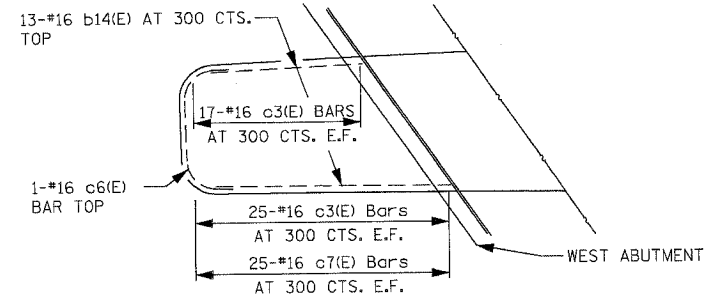
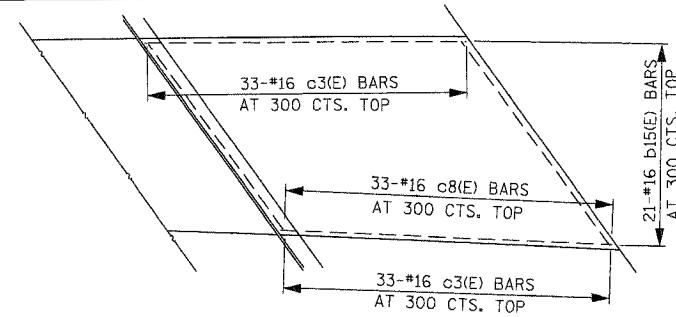


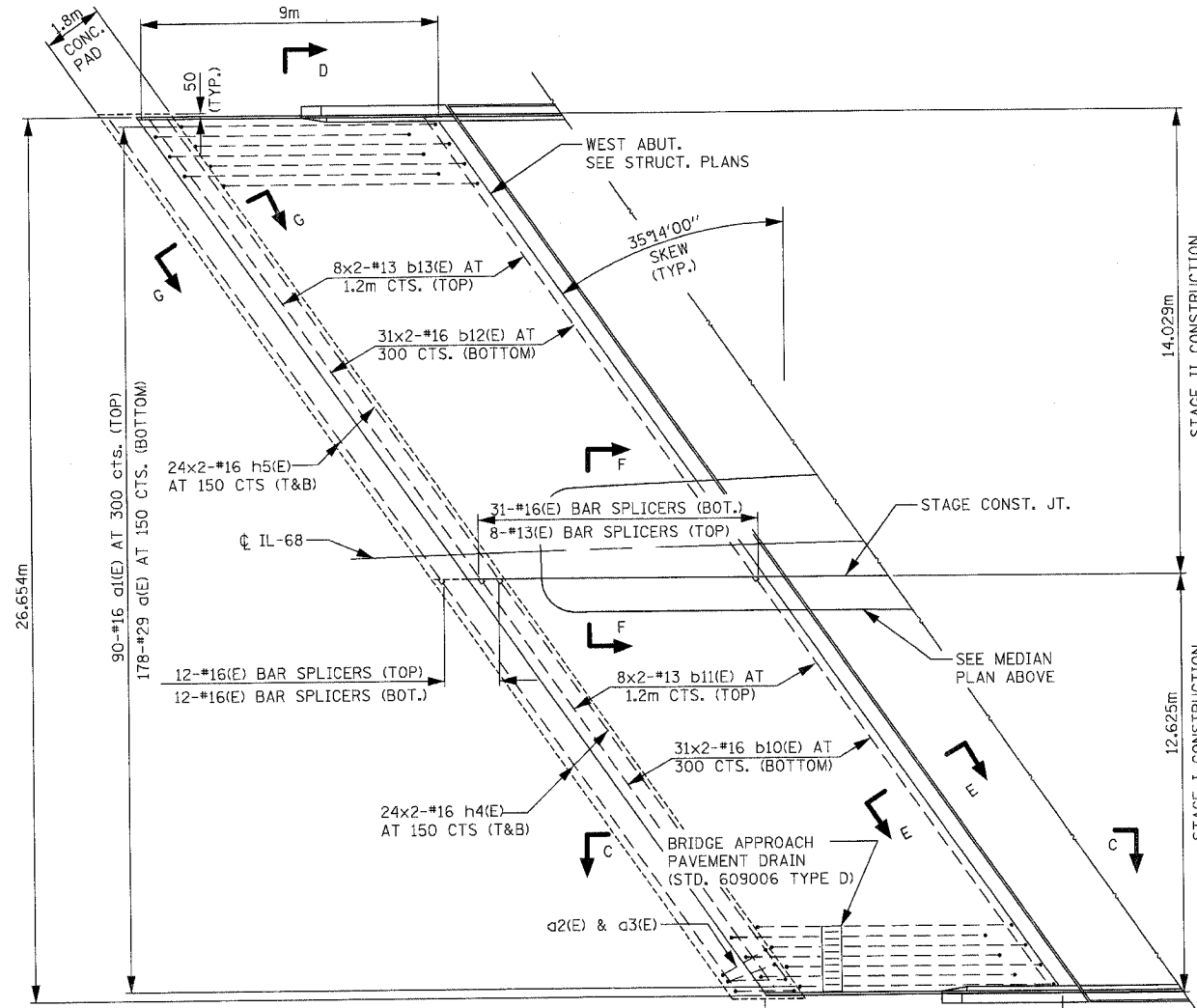
F.A.P. RTE.	SECTION	COUNTY	TOTAL SHEETS	SHEET NO.
343	*	COOK	283	104
STA. 9+713.000		TO STA. 10+151.000		
FED. ROAD DIST. NO. 1		ILLINOIS FED. AID PROJECT		
* 70D-Y-B-R & 70H-B-R-1		62897		



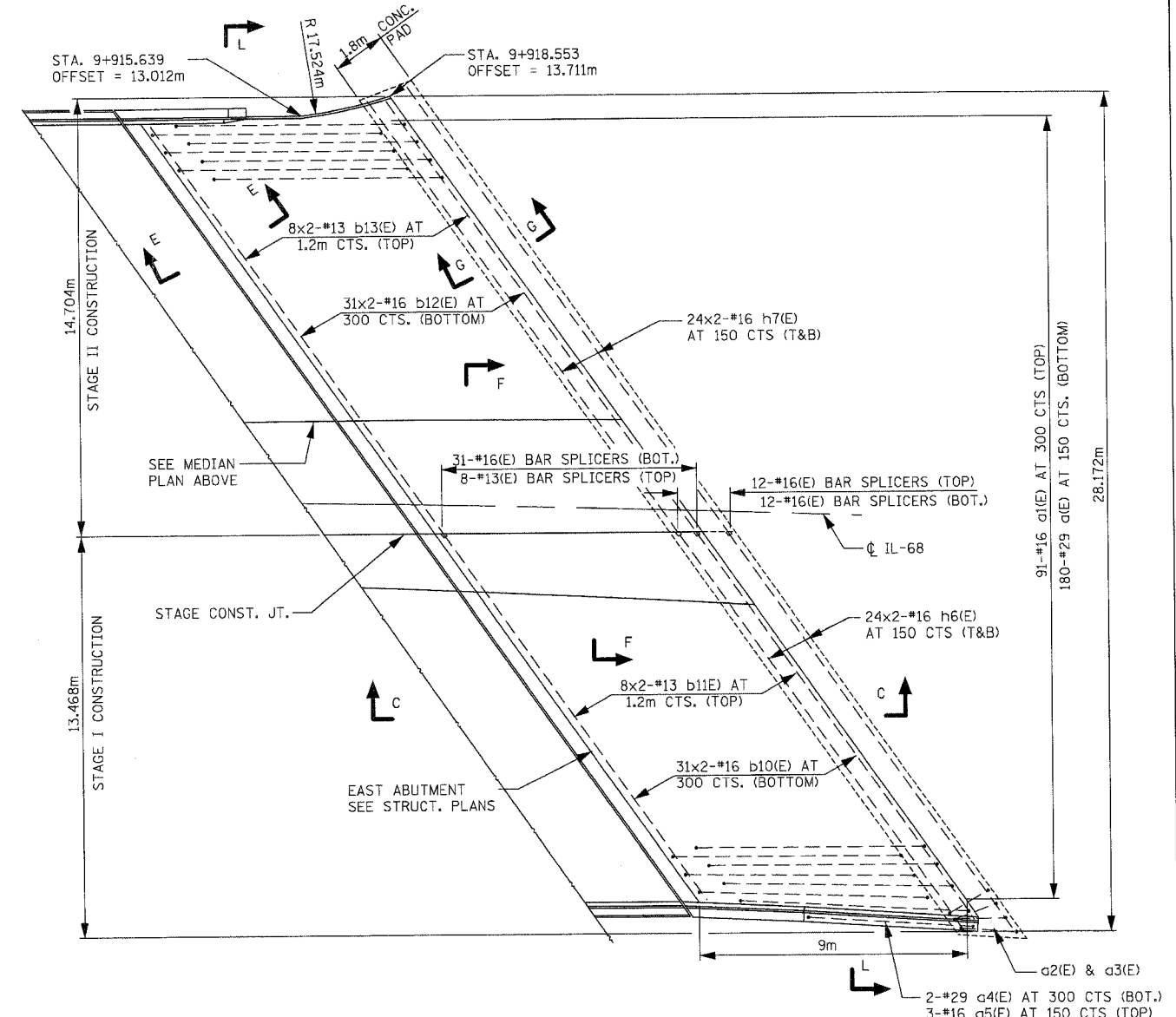
MEDIAN PLAN - WEST APPROACH SLAB



MEDIAN PLAN - EAST APPROACH SLAB



BRIDGE APPROACH PAVEMENT PLAN - WEST



BRIDGE APPROACH PAVEMENT PLAN - EAST

GENERAL NOTES

- SEE STANDARD 421001 FOR REINFORCEMENT DETAILS NOT SHOWN.
- SEE STANDARD 420001 FOR JOINT DETAILS NOT SHOWN.
- ALL DIMENSIONS ARE IN MILLIMETERS UNLESS OTHERWISE SHOWN.
- BARS INDICATED THUS 31x2 - #16 ETC. INDICATES 31 LINES OF BARS WITH 2 LENGTHS PER LINE.
- E.F. = EACH FACE

MIN. BAR LAP

- #13 = 450
- #16 = 640

REVISIONS	
NAME	DATE

ILLINOIS DEPARTMENT OF TRANSPORTATION
ILLINOIS ROUTE 68

BRIDGE APPROACH PAVEMENT (SPECIAL)
S.N. 016-2732

SCALE N.T.S.
DATE OCTOBER, 2006

DRAWN BY BTO
CHECKED BY JAN

11/13/2006 2:36:21 PM