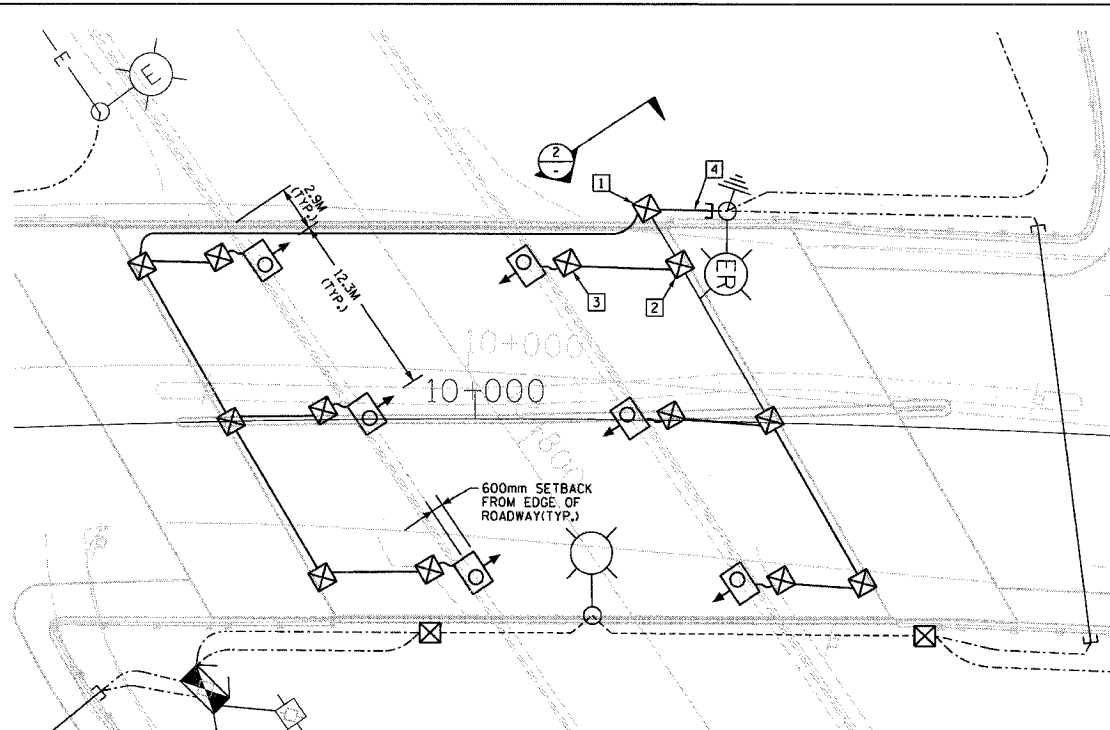
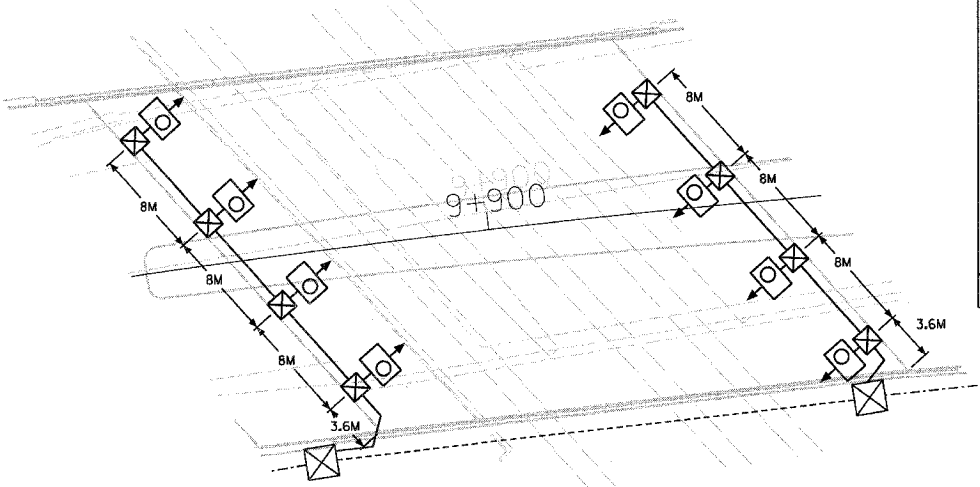


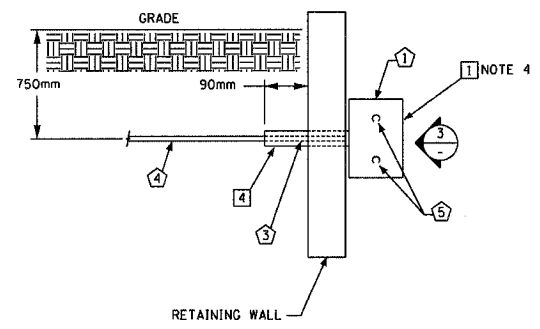
F.A.P. RTE.	SECTION	COUNTY	TOTAL SHEETS	SHEET NO.
343	*	COOK	283	143
STA.	TO STA.			
FED. ROAD DIST. NO. 1		ILLINOIS FED. AID PROJECT		
* 700-Y-R & 70HB-R-1		62897		



1 UNDERPASS LUMINAIRE WIRING DETAIL (US 14)
N.T.S.



2 UNDERPASS LUMINAIRE WIRING DETAIL (UPRR)
N.T.S.



1A PARTIAL ELEVATION (US 14)
N.T.S.

NOTES

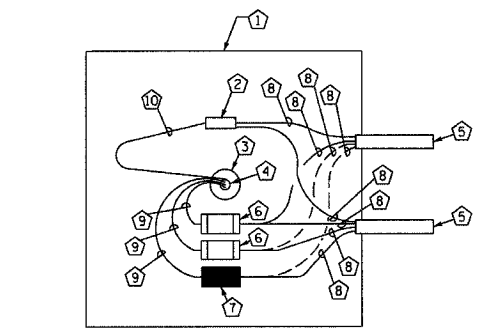
1. REFER TO DRAWING BE-900 FOR SUSPENDED MOUNT UNDERPASS DETAILS.
2. FUSE KITS AND GROUND WIRE SPLICE SHALL BE INCLUDED IN THE PAY ITEM FOR THE JUNCTION BOX.
3. UNDERPASS LUMINAIRES SHALL BE MOUNTED 4.9m ABOVE THE SHOULDER.
4. MOUNT JUNCTION BOX 5M ABOVE GRADE.
5. ALL UNDERPASS LIGHTING CONDUITS ARE ATTACHED TO STRUCTURE.

EQUIPMENT LIST

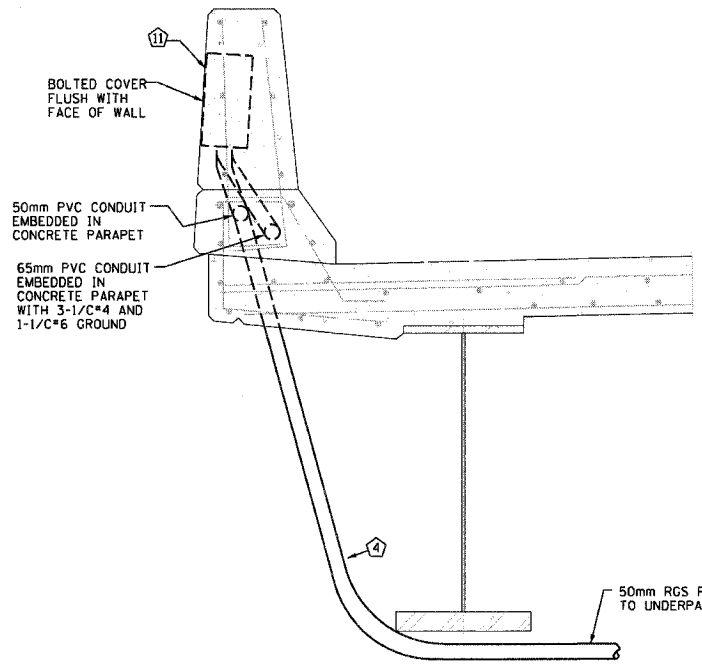
- 1 450mm x 450mm x 200mm STAINLESS STEEL JUNCTION BOX ATTACHED TO RETAINING WALL.
- 2 150mm x 150mm x 100mm STAINLESS STEEL JUNCTION BOX ATTACHED TO UNDERSIDE OF BRIDGE DECK, TYPICAL.
- 3 300mm x 250mm x 150mm STAINLESS STEEL JUNCTION BOX ATTACHED TO RETAINING WALL, TYPICAL.
- 4 75mm PVC COATED RGS SLEEVE WITH 30mm UNIT DUCT AND 3*4 & 1*6 GND CONDUCTORS

TAG NOTES

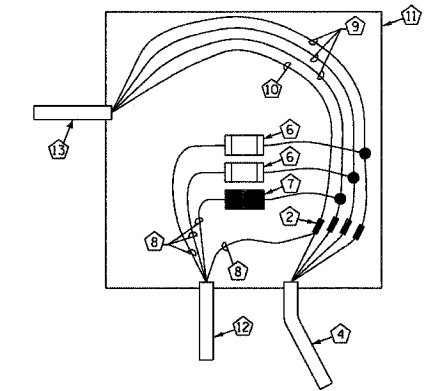
- 1 400mmx400mmx150mm STAINLESS STEEL JUNCTION BOX
- 2 MECHANICAL SPLICE
- 3 75mm PVC COATED RGS SLEEVE
- 4 30mm UNIT DUCT
- 5 25mm PVC COATED RGS
- 6 QUICK DISCONNECT FUSE KIT WITH 30A FUSE
- 7 QUICK DISCONNECT FUSE KIT WITH SOLID NEUTRAL ASSEMBLY
- 8 #10 COPPER, 600V
- 9 #4 COPPER, 600V
- 10 #6 COPPER GROUND
- 11 300mm x 300mm x 150mm NON-METALLIC JUNCTION BOX
- 12 50mm PVC COATED RGS CONDUIT
- 13 65 mm EMBEDDED PVC CONDUIT



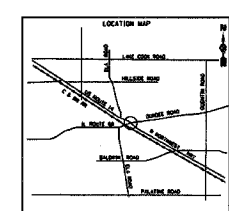
1B JUNCTION BOX WIRING DETAIL (US 14)
N.T.S.



2A PARTIAL ELEVATION (UPRR)
N.T.S.



2B JUNCTION BOX WIRING DETAIL (UPRR)
N.T.S.



REVISIONS	
NAME	DATE

ILLINOIS DEPARTMENT OF TRANSPORTATION
ILLINOIS ROUTE 68 AT U.S. ROUTE 14
UNDERPASS LIGHTING DETAILS

SCALE N.T.S.
DATE NOVEMBER 2006

DRAWN BY R.P.J.
DESIGNED BY I.B.
CHECKED BY A.D.O.

Rick Johns
 11/27/2006 3:40:22 PM
 250.000000 M / M.
 02-05-1001-STV-03 - IL 68 over US 14
 02-05-1001-STV-03 - IL 68 over US 14
 11/27/2006 3:40:22 PM
 250.000000 M / M.
 02-05-1001-STV-03 - IL 68 over US 14
 02-05-1001-STV-03 - IL 68 over US 14