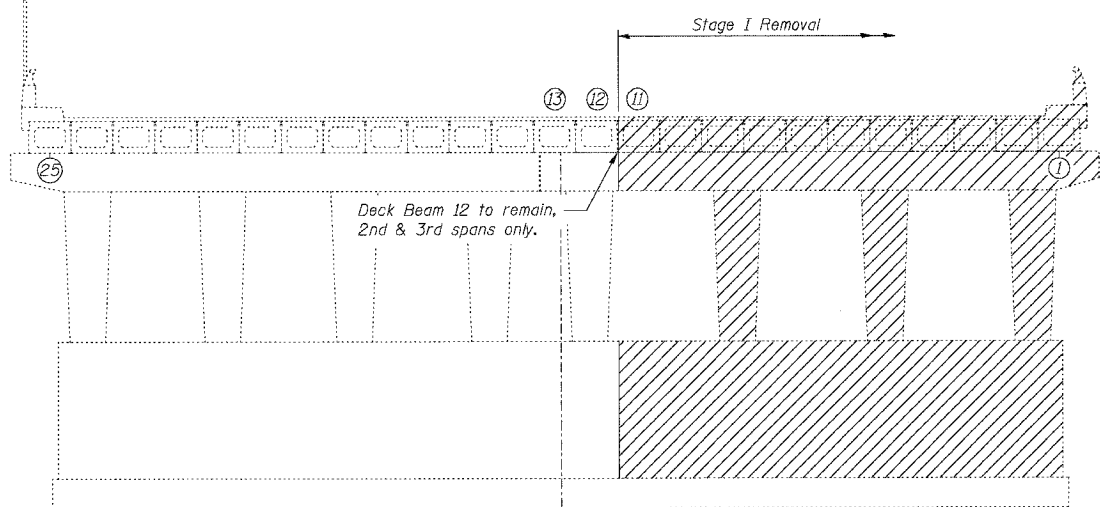
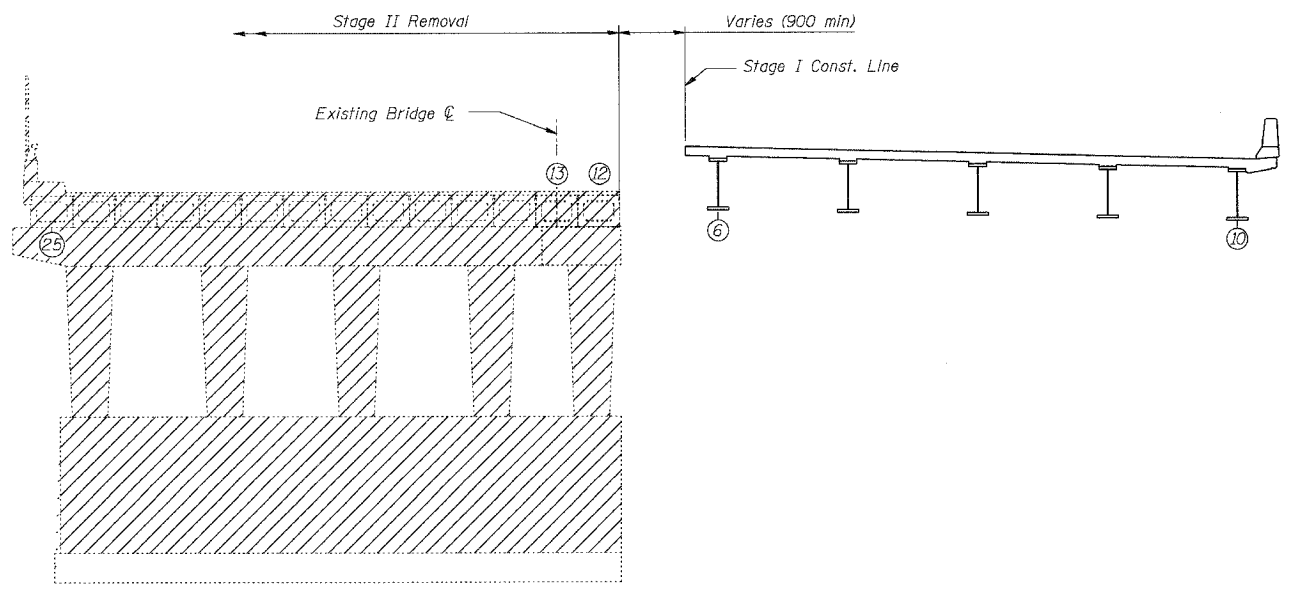


F.A.P. RTE.	SECTION	COUNTY	TOTAL SHEETS	SHEET NO.
343	70D-Y-B-R	COOK	283	159
STA.		TO STA.		
FED. ROAD DIST. NO.		ILLINOIS FED. AID PROJECT		
CONTRACT NO. 62897				



EXISTING PIER REMOVAL - STAGE I
(Looking East)



EXISTING PIER REMOVAL - STAGE II
(Looking East)

LEGEND

Structure Removal

NOTES:

1. Contractor to verify all dimensions in field prior to construction.
2. Removal of Existing Abutments similar. See also Sht. S-04.

SHT. S-05 OF S-34

REVISIONS		ILLINOIS DEPARTMENT OF TRANSPORTATION IL ROUTE 68 OVER UPRR F.A.P. ROUTE 343 SECTION 70D-Y-B-R COOK COUNTY STATION 9+900.324 STRUCTURE NO. 016-2732 EXISTING STRUCTURE REMOVAL
NAME	DATE	
		DESIGNED: BTO CHECKED: JAN DATE: 10/06 DRAWN: BTO CHECKED: JAN