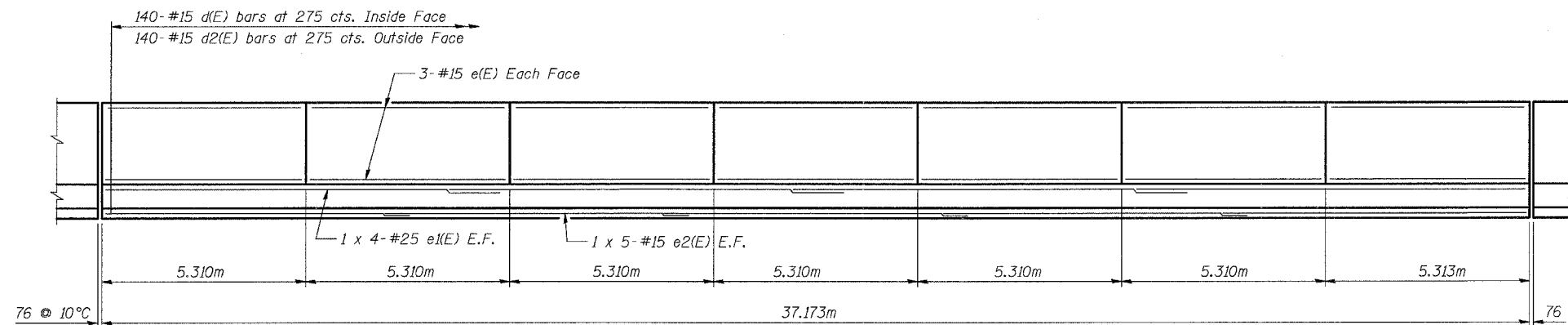


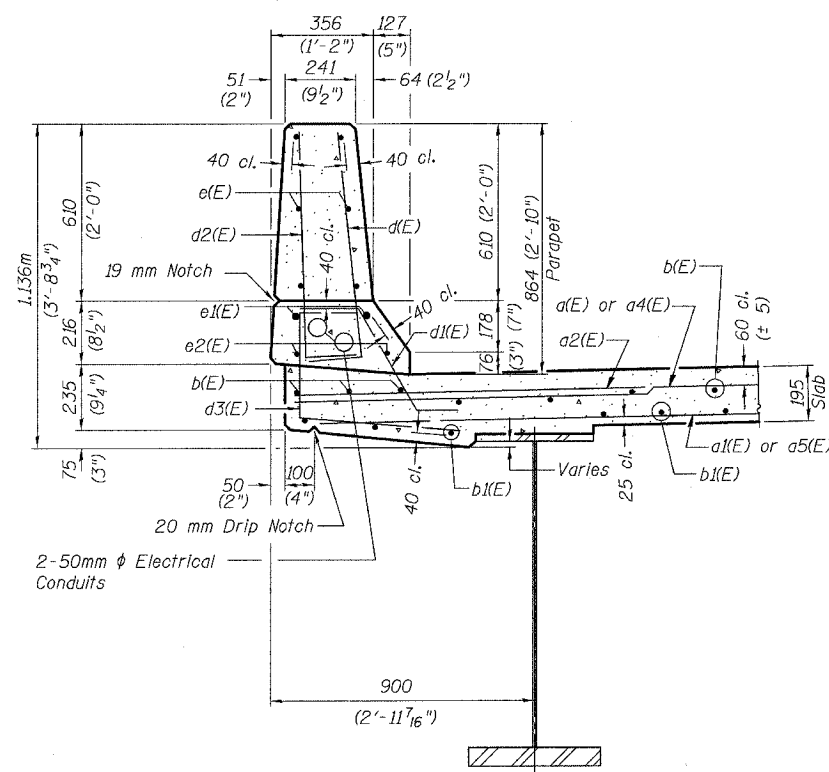
F.A.P. RTE.	SECTION	COUNTY	TOTAL SHEETS	SHEET NO.
343	70D-Y-B-R	COOK	283	167

STA.	TO STA.
FED. ROAD DIST. NO.	ILLINOIS FED. AID PROJECT

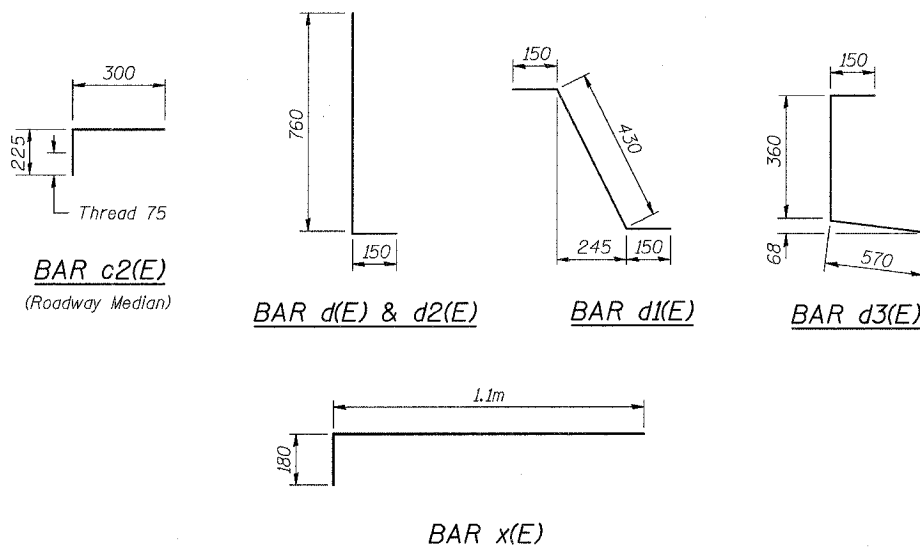
CONTRACT NO. 62897



INSIDE ELEVATION OF PARAPET



SECTION THRU PARAPET



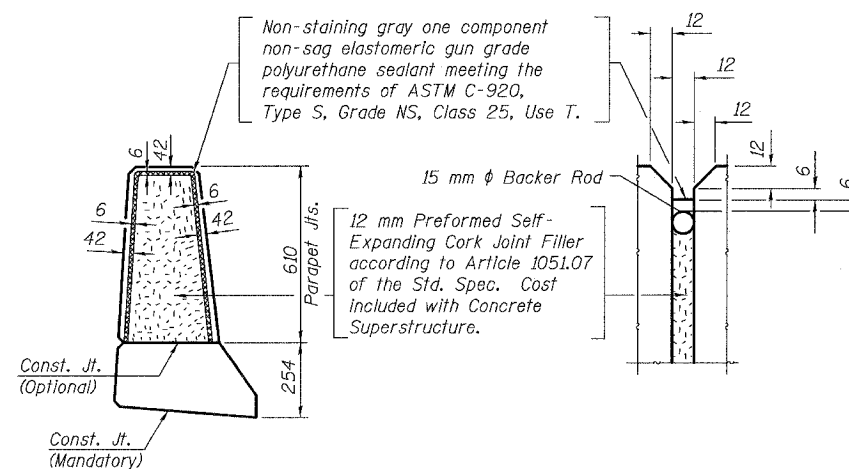
BAR c2(E)
(Roadway Median)

BAR d(E) & d2(E)

BAR d1(E)

BAR d3(E)

BAR x(E)



PARAPET JOINT DETAILS

**SUPERSTRUCTURE
BILL OF MATERIAL**

Bar	No.	Size	Length (m)	Shape
a(E)	618	15	6.700	—
a1(E)	618	15	4.680	—
a2(E)	310	20	1.400	—
a3(E)	8	15	8.160	—
a4(E)	618	15	7.420	—
a5(E)	618	15	5.160	—
a6(E)	8	15	9.010	—
a7(E)	32	15	0.450	—
a8(E)	8	15	0.600	—
b(E)	376	15	9.750	—
b1(E)	480	15	7.930	—
b2(E)	76	15	9.920	—
c1(E)	66	15	4.620	—
c2(E)	248	15	0.525	—
c3(E)	69	15	5.350	—
d(E)	280	15	0.910	—
d1(E)	272	15	0.730	—
d2(E)	280	15	0.910	—
d3(E)	272	15	1.080	—
e(E)	84	15	5.230	—
e1(E)	16	25	10.260	—
e2(E)	20	15	8.080	—
x(E)	176	20	1.280	—
Reinforcement Bars, Epoxy Coated			Kg	42,390
Concrete Superstructure			Cu M	303.3

NOTES:

1. Reinforcement bars designated (E) shall be epoxy coated.
2. All Expansion Anchors shall be Epoxy Coated and included in the cost of "Reinforcement Bars, Epoxy Coated".

MIN. BAR LAP

#15 bar = 640
#25 bar = 1.320m

SHT. S-13 OF S-34

REVISIONS	NAME	DATE

ILLINOIS DEPARTMENT OF TRANSPORTATION
IL ROUTE 68 OVER UPRR
F.A.P. ROUTE 343 SECTION 70D-Y-B-R
COOK COUNTY STATION 9+900.324
STRUCTURE NO. 016-2732

PARAPET ELEVATION, DECK DETAILS, & B.O.M.

DESIGNED: BTO
CHECKED: JAN
DRAWN: BTO
CHECKED: JAN

DATE: 10/06