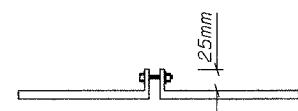


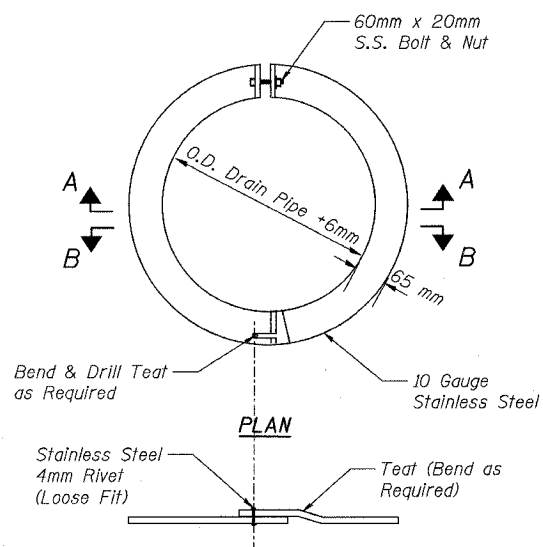
F.A.P. RTE.	SECTION	COUNTY	TOTAL SHEETS	SHEET NO.
343	70D-Y-B-R	COOK	283	169

STA.	TO STA.
FED. ROAD DIST. NO.	ILLINOIS FED. AID PROJECT

CONTRACT NO. 62897

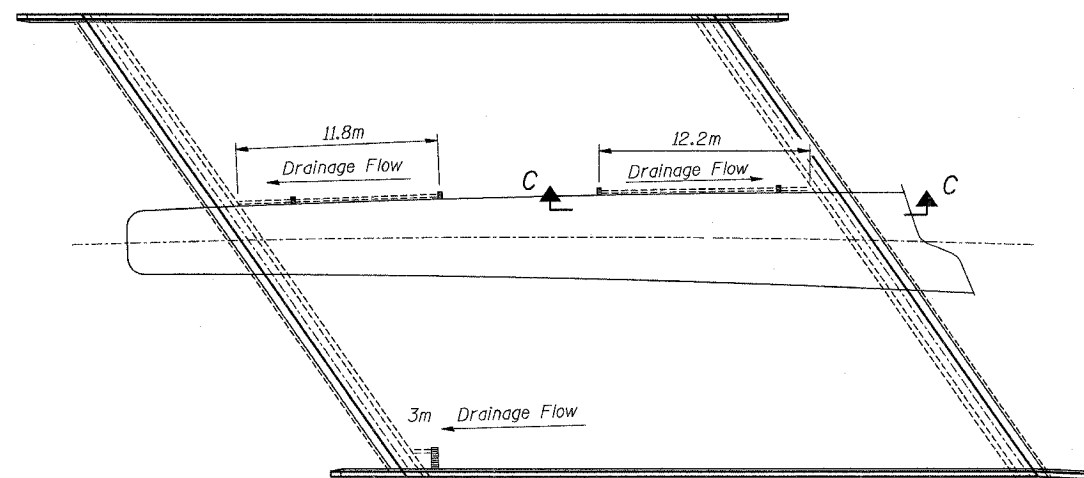


SECTION A-A



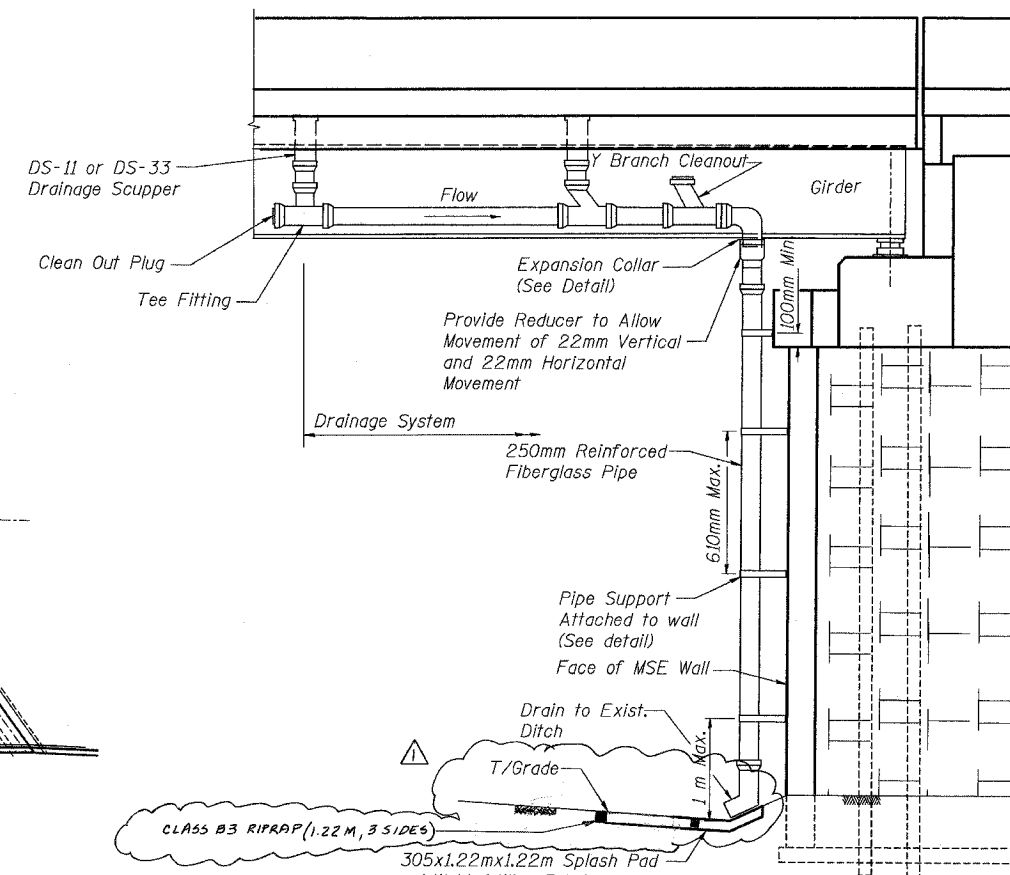
SECTION B-B

EXPANSION COLLAR DETAIL



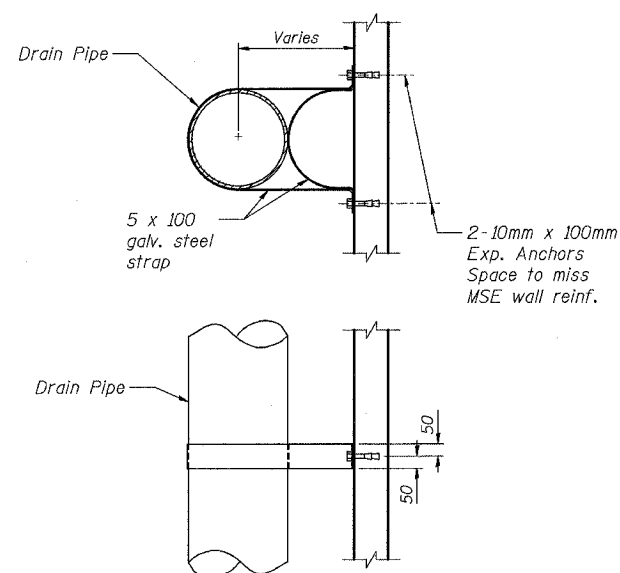
DRAINAGE SYSTEM PLAN

(See deck plan for location of drainage pipe deck inserts)

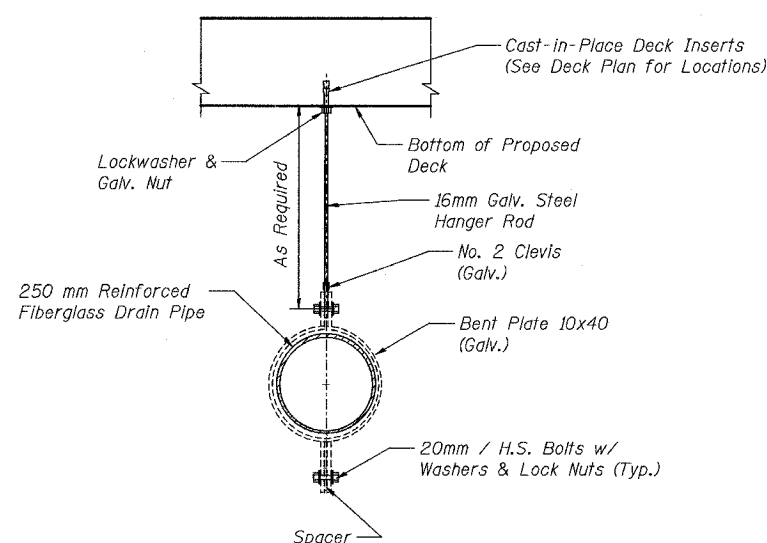


VIEW C-C (TYP.)

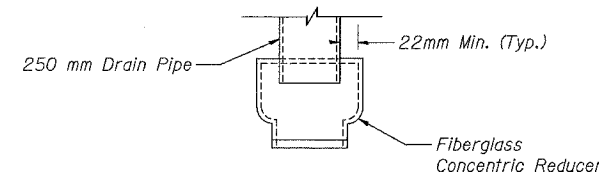
(3 Places)



PIPE BRACKET DETAIL AT MSE WALL



PIPE HANGER BELOW DECK



PIPE REDUCER DETAIL

NOTE:  
All dimensions are in millimeters (mm) except as noted.  
Rev. 1-8-07

BILL OF MATERIAL

Item	Unit	Total
Drainage System No. 2	Each	1

SHT. S-15 OF S-34

REVISIONS	
NAME	DATE

ILLINOIS DEPARTMENT OF TRANSPORTATION  
IL ROUTE 68 OVER UPRR  
F.A.P. ROUTE 343 SECTION 70D-Y-B-R  
COOK COUNTY STATION 9+900.324  
STRUCTURE NO. 016-2732

BRIDGE DRAINAGE SYSTEM

DESIGNED: JAN  
CHECKED: BTO

DRAWN: JAN  
CHECKED: BTO

DATE: 10/06