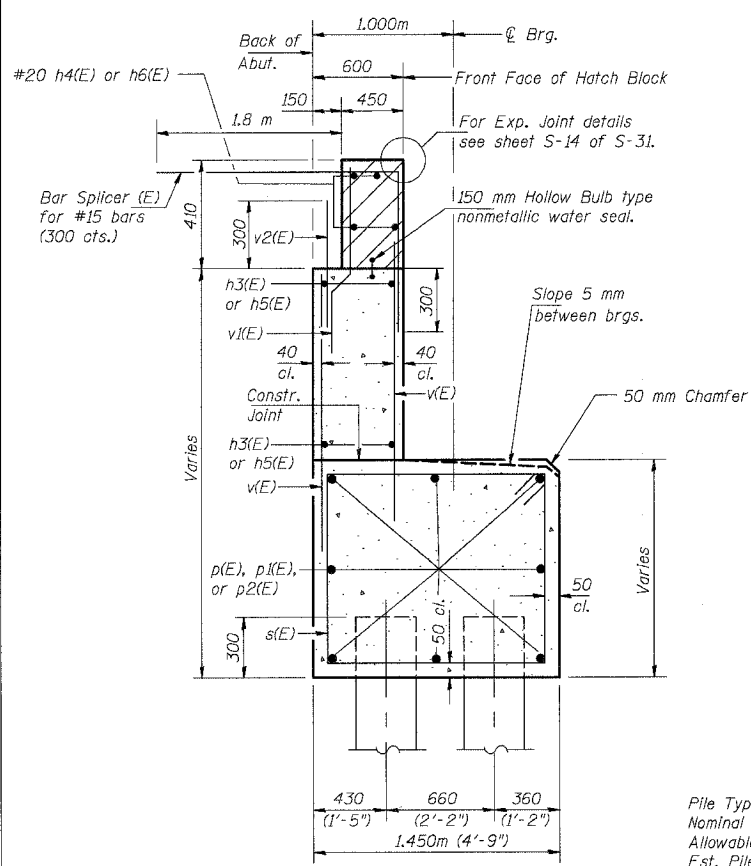
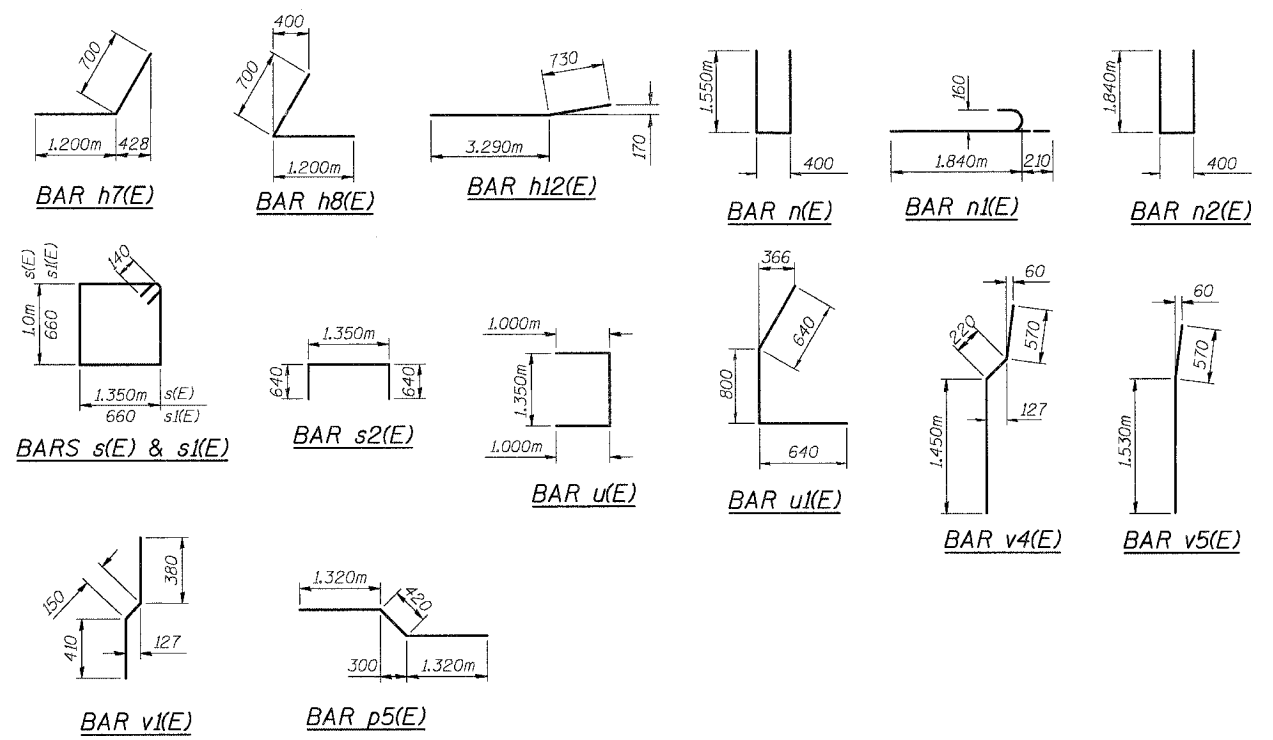


F.A.P. RTE.	SECTION	COUNTY	TOTAL SHEETS	SHEET NO.
343	70D-Y-B-R	COOK	283	177
STA.		TO STA.		
FED. ROAD DIST. NO.		ILLINOIS FED. AID PROJECT		
CONTRACT NO. 62897				



SEC. THRU ABUT.



PILE DATA

Pile Type and Size: 305mm ϕ Metal Shell, w/6.3mm wall
 Nominal Required Bearing: 1500 KN
 Allowable Resistance Available: 500KN
 Est. Pile Length: 29.3m
 No. of Production: 26
 Number of Test Piles: 1
 Piles Shall be driven through 457mm ϕ pre-cored holes extending to Elev. 255.5 within the existing bridge width and Elev. 254.9 in the southern portion of the abutment.
 The Metal Shell Piles shall be according to ASTM A252, Grade 3.

BILL OF MATERIAL

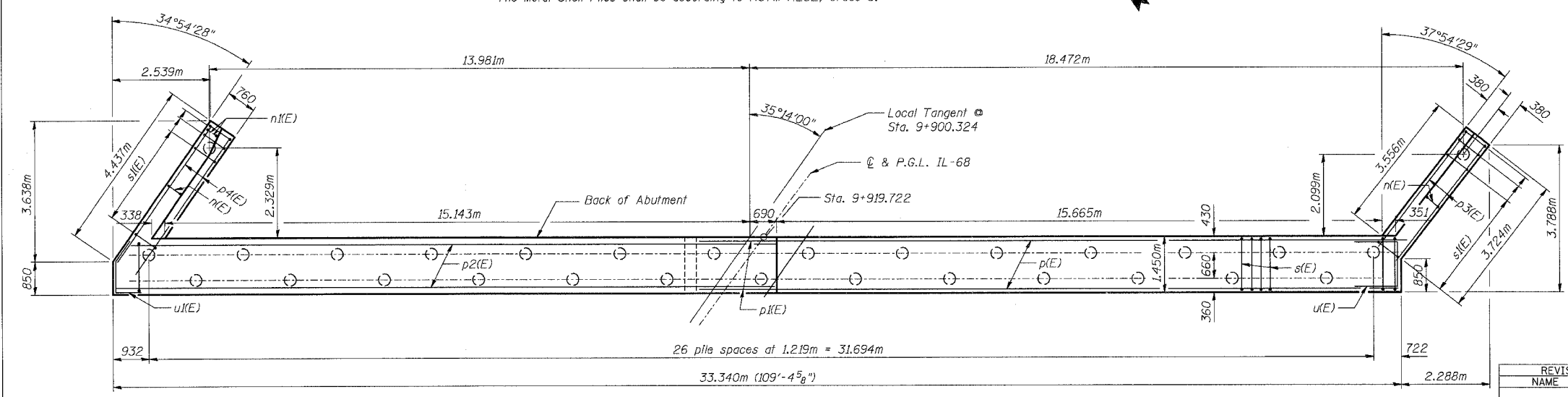
Bar	No.	Size	Length (m)	Shape
h(E)	6	15	7.500	—
h1(E)	3	15	2.550	—
h2(E)	3	15	2.450	—
h3(E)	16	15	8.280	—
h4(E)	8	20	8.310	—
h5(E)	16	15	8.570	—
h6(E)	8	20	8.650	—
h7(E)	12	15	1.900	—
h8(E)	12	15	1.900	—
h9(E)	9	15	3.640	—
h10(E)	12	15	4.020	—
h11(E)	9	15	4.360	—
h12(E)	6	15	4.020	—
n(E)	14	20	3.500	—
n1(E)	6	20	2.050	—
n2(E)	12	20	4.080	—
p(E)	16	25	8.920	—
p1(E)	8	25	2.000	—
p2(E)	16	25	9.200	—
p3(E)	6	25	4.250	—
p4(E)	6	25	4.330	—
p5(E)	3	25	3.060	—
s(E)	107	15	4.980	—
s1(E)	29	15	2.920	—
s2(E)	63	15	2.630	—
u(E)	4	20	3.350	—
u1(E)	5	20	2.080	—
v(E)	216	15	1.700	—
v1(E)	108	15	0.940	—
v2(E)	108	15	0.940	—
v3(E)	30	20	2.220	—
v4(E)	27	20	2.240	—
v5(E)	3	20	2.100	—
Concrete Structures		Cu. M	90.6	
Reinforcement Bars, Epoxy Coated		Kg	5,330	
Test Pile Metal Shells		Each	1	
Furnishing Metal Shell Piles 305mm		m	762	
Driving Piles		m	762	

MIN. BAR LAP

#15 Bars = 640
 #20 Bars = 790
 #25 Bars = 1320m

NOTES:

- Hatched area to be poured after superstructure forms have been removed. Quantity of concrete included with Concrete Superstructure.
- Reinforcement bars designated (E) shall be epoxy coated.
- All dimensions are in millimeters (mm) except as noted.
- The test pile shall be driven to 110 percent of the Nominal Required Bearing Indicated in the pile data information.



PLAN - PILE CAP

REVISIONS	NAME	DATE

SHT. S-23 OF S-34

ILLINOIS DEPARTMENT OF TRANSPORTATION
 IL ROUTE 68 OVER UPRR
 F.A.P. ROUTE 343 SECTION 70D-Y-B-R
 COOK COUNTY STATION 9+900.324
 STRUCTURE NO. 016-2732

EAST ABUTMENT DETAILS

DESIGNED: BTO DRAWN: BTO
 CHECKED: JAN CHECKED: JAN
 DATE: 10/06