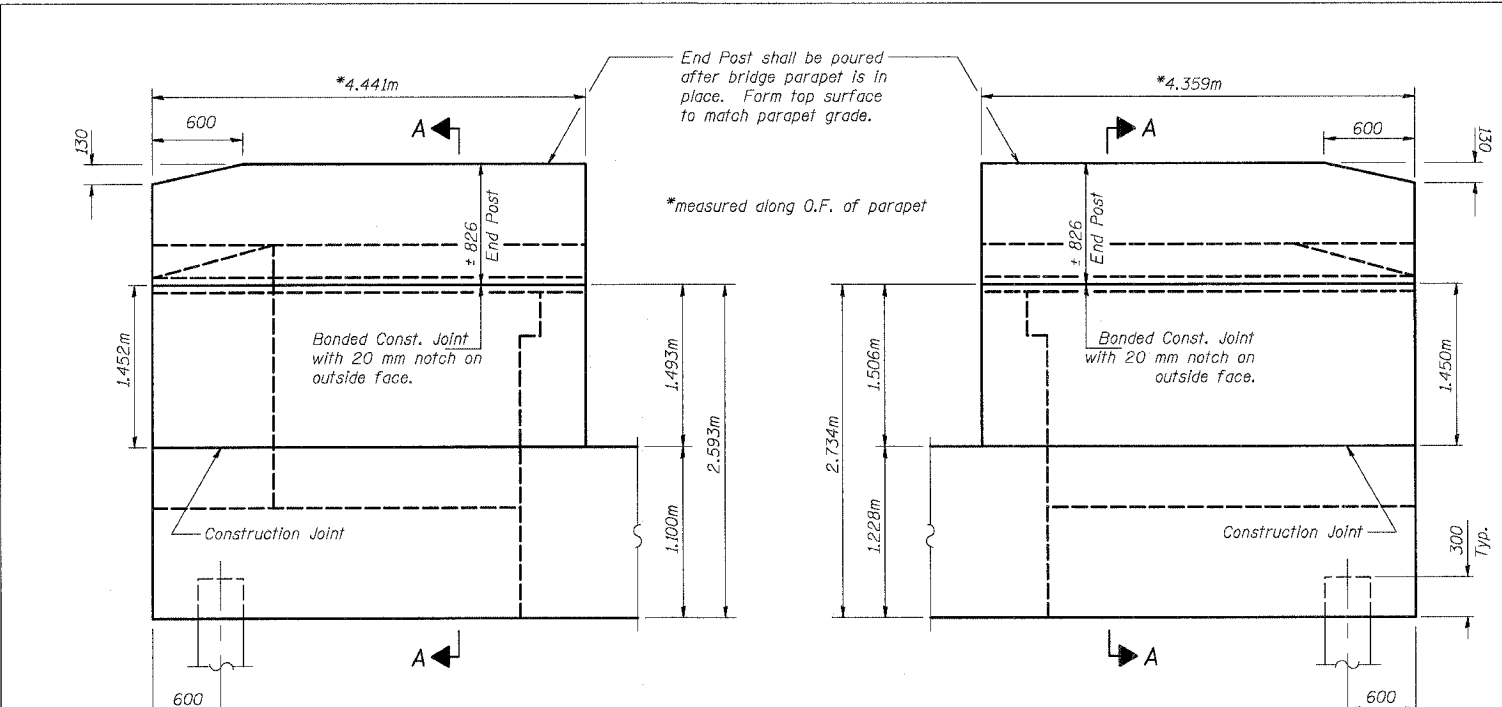
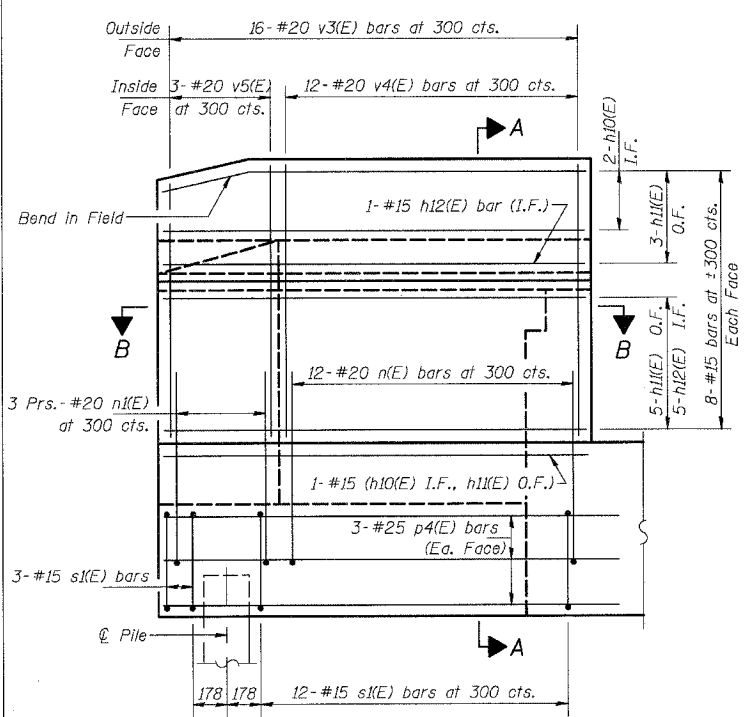


F.A.P. RTE.	SECTION	COUNTY	TOTAL SHEETS	SHEET NO.
343	70D-Y-B-R	COOK	283	181
STA.		TO STA.		
FED. ROAD DIST. NO.		ILLINOIS FED. AID PROJECT		
CONTRACT NO. 62897				

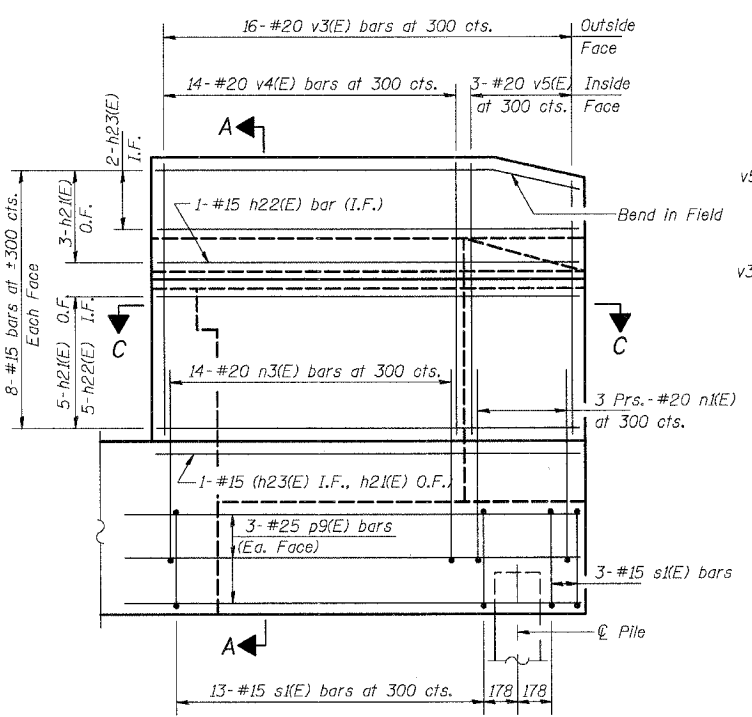


SOUTH WING WALL ELEVATION
Showing Dimensions (Looking North)

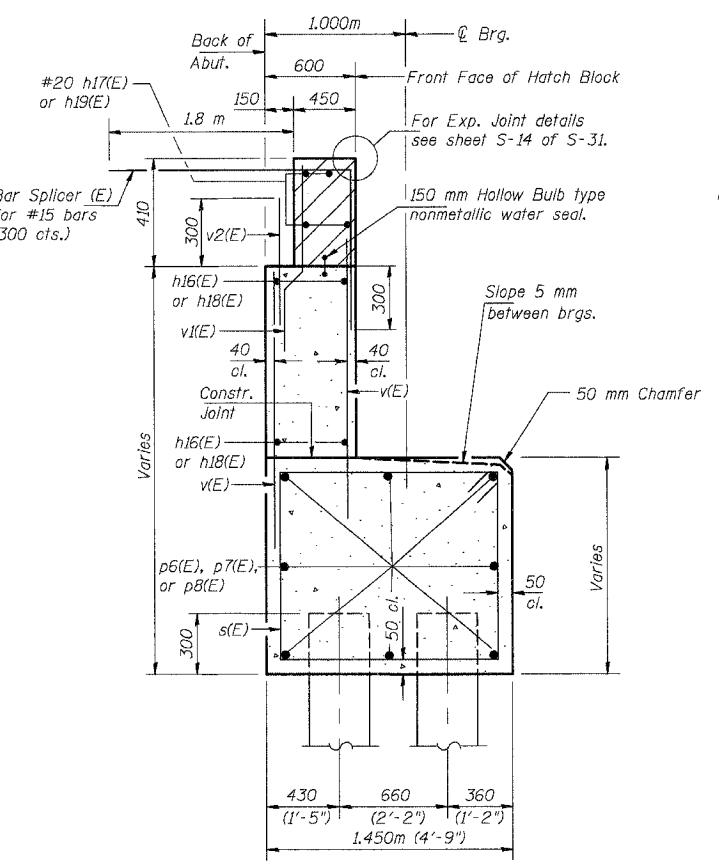
NORTH WING WALL ELEVATION
Showing Dimensions (Looking South)



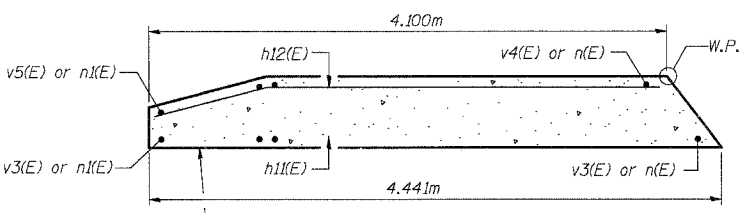
SOUTH WING WALL ELEVATION
Showing Dimensions (Looking North)



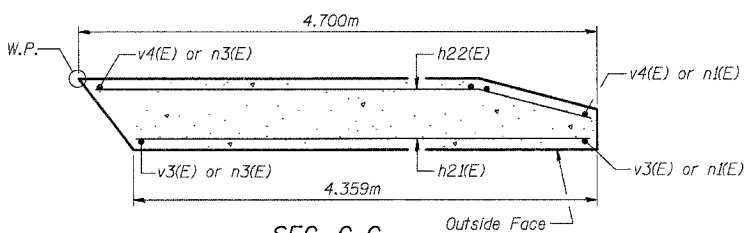
NORTH WING WALL ELEVATION
Showing Dimensions (Looking South)



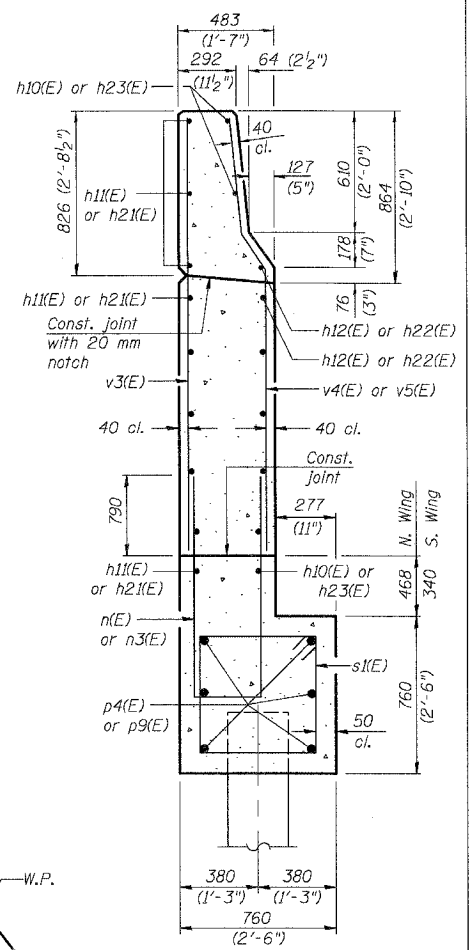
SEC. THRU ABUT.



SEC. B-B



SEC. C-C



SEC. A-A

NOTE:

Quantity of Concrete in end post included with concrete Superstructure on Sht. S-13 of S-34.

REVISIONS	
NAME	DATE

ILLINOIS DEPARTMENT OF TRANSPORTATION
IL ROUTE 68 OVER UPRR
F.A.P. ROUTE 343 SECTION 70D-Y-B-R
COOK COUNTY STATION 9+900.324
STRUCTURE NO. 016-2732

WEST ABUTMENT WINGWALL DETAILS

DESIGNED: BTO
CHECKED: JAN

DRAWN: BTO
CHECKED: JAN

DATE: 10/06

SHT. S-27 OF S-34