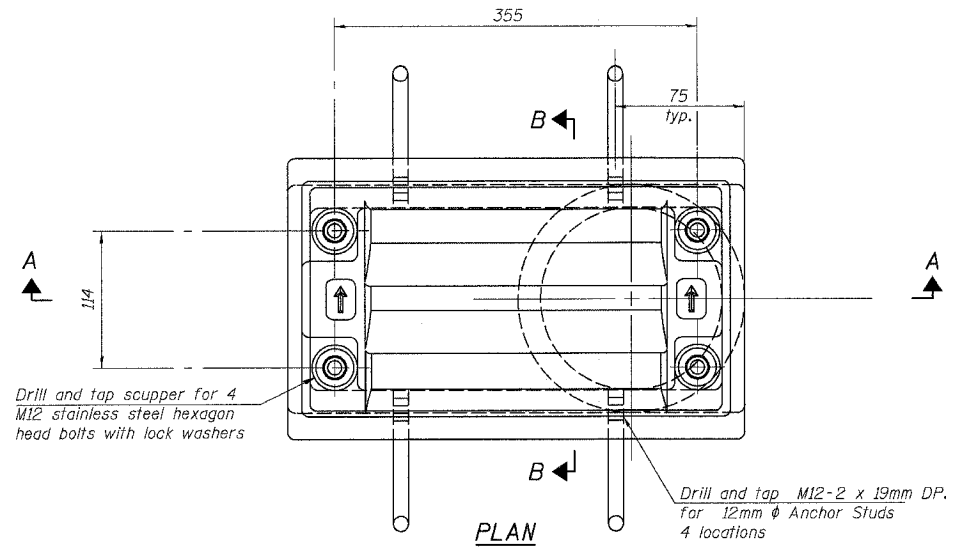
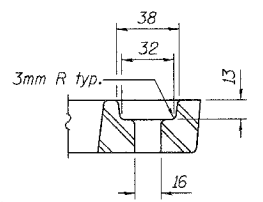


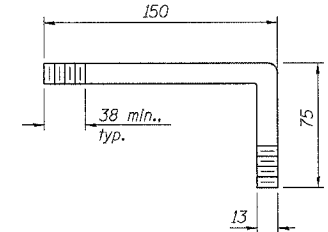
F.A.P. RTE.	SECTION	COUNTY	TOTAL SHEETS	SHEET NO.
343	70HB-R-1	COOK	283	199
STA.		TO STA.		
FED. ROAD DIST. NO.		ILLINOIS FED. AID PROJECT		
CONTRACT NO. 62897				



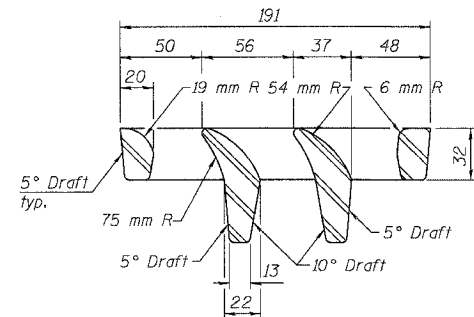
**PLAN**



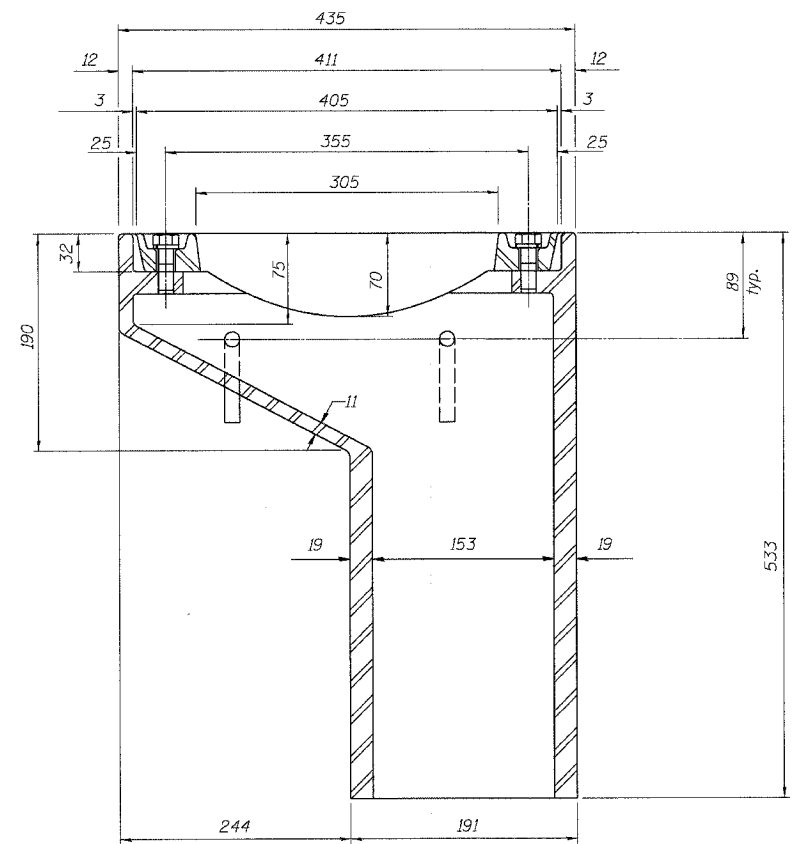
**BOLT HOLE DETAIL**



**ANCHOR STUD DETAIL**

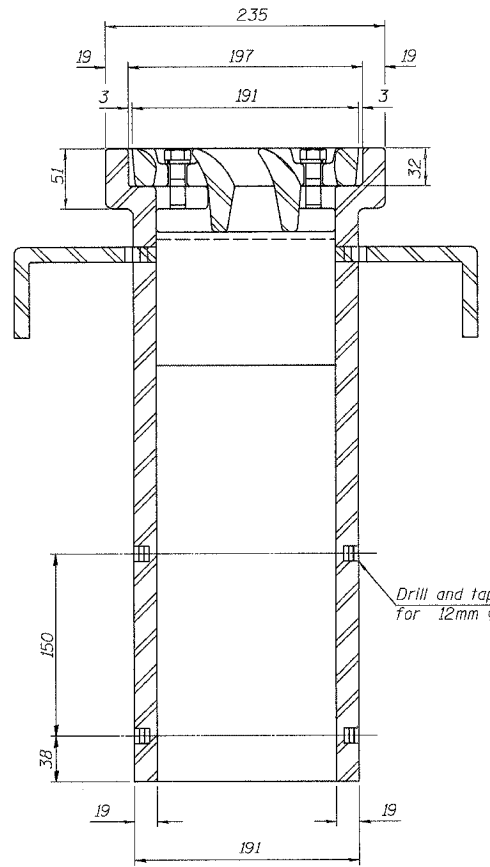


**VANE GRATE DETAIL**



**SECTION A-A**

See Sht. S-10 for scupper location.



**SECTION B-B**

**NOTES:**

- All cast iron parts shall be gray iron conforming to the requirements of AASHTO M 105, Class 35B.
- Bolts, anchor studs, washers and nuts shall conform to the requirements of ASTM A 307 and shall be galvanized according to AASHTO M 232.
- The grate, frame and downspout shall be galvanized according to AASHTO M 111 and ASTM A 385. Downspouts located on the exterior side of a painted steel fascia beam shall be painted with the finish coat specified for the exterior side of the fascia beam.
- As an alternate, bolts, anchor studs, washers and nuts may be stainless steel according to Article 1006.29(d) of the Standard Specifications.
- Structural steel weldments of equal sections and of the same configuration may be substituted for cast iron. Fillet or full penetration welds shall be used for the weldments. Details shall be submitted to the Engineer for approval.
- The Contractor shall take appropriate measures to assure that Protective Coat is not applied to the scupper.
- Cost of the Grate, Frame, Downspout, Anchor Studs, Bolts, Washers and Nuts including complete installation of the scupper shall be paid for at the contract unit price each for Drainage Scupper, DS-11.

All dimensions are in millimeters (mm) except as noted.

**BILL OF MATERIAL**

ITEM	UNIT	QUANTITY
Drainage Scupper, DS-11	Each	3

8-11-02



REVISIONS	
NAME	DATE

ILLINOIS DEPARTMENT OF TRANSPORTATION  
 IL ROUTE 68 OVER US ROUTE 14  
 F.A.P. ROUTE 343 SECTION 70HB-R-1  
 COOK COUNTY STATION 10+001.778  
 STRUCTURE NO. 016-2861  
**DRAINAGE SCUPPER, DS-11**  
 DESIGNED: BTO DRAWN: BTO  
 CHECKED: JAN CHECKED: JAN  
 DATE: 10/06

SHT. S-14 OF S-27

10/15/2006 9:37:38 PM