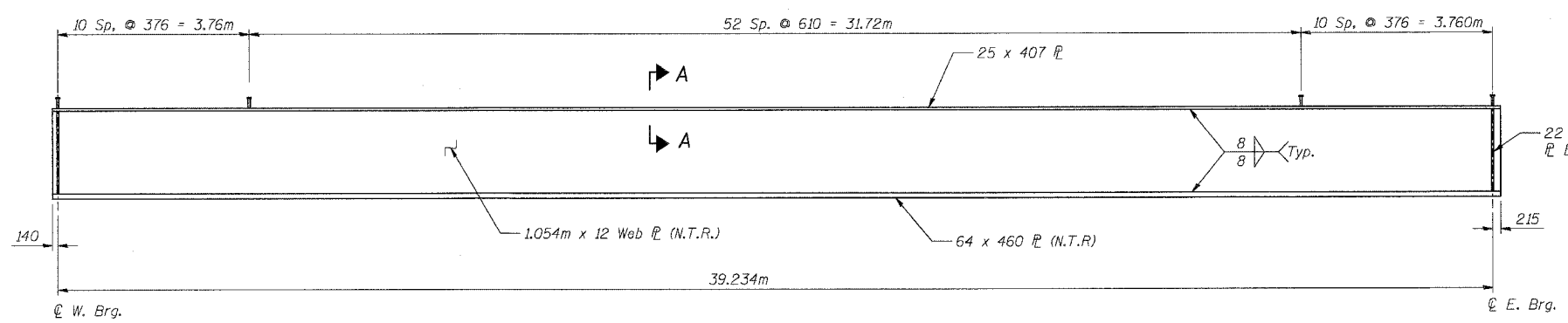
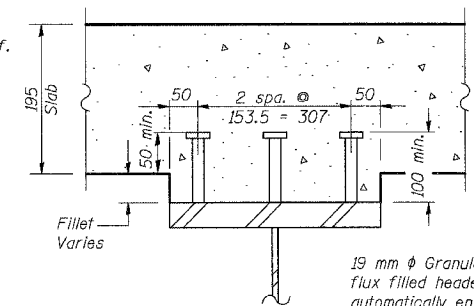


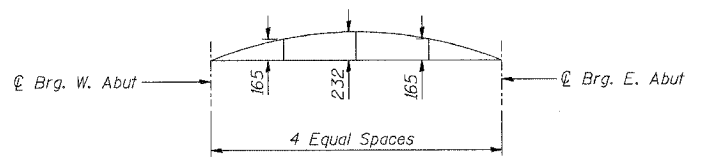
F.A.P. RTE.	SECTION	COUNTY	TOTAL SHEETS	SHEET NO.
343	70HB-R-1	COOK	283	202
STA.		TO STA.		
FED. ROAD DIST. NO.		ILLINOIS FED. AID PROJECT		
CONTRACT NO. 62897				



GIRDER ELEVATION



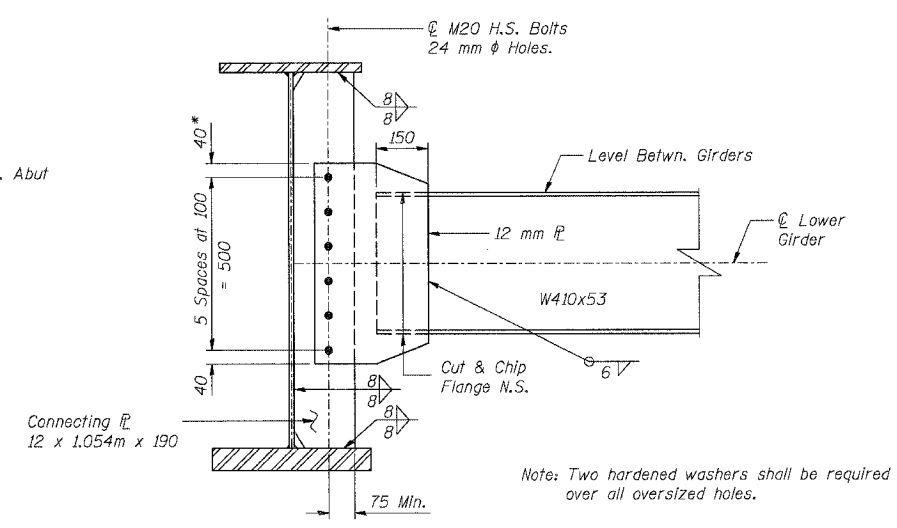
SECTION A-A



CAMBER DIAGRAM

GIRDER	WEST ABUT. BRG.	EAST ABUT. BRG.
1	269.590	269.074
2	269.511	268.982
3	269.430	268.888
4	269.349	268.794
5	269.267	268.700
6	269.186	268.605
7	269.103	268.509
8	269.020	268.412
9	268.937	268.315
10	268.853	268.216
11	268.768	268.118

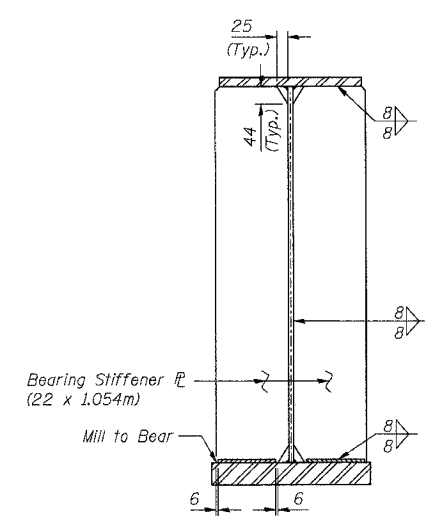
TOP OF WEB ELEVATIONS
(For Fabrication Use Only)



DIAPHRAGM D1

* Provide 24 mm x 40 mm vertical slotted holes in 12 mm PL for diaphragms in stage construction bay, Stage II side. Increase 40 mm dimension to 60 mm in plate in stage construction bay, Stage II side. 8 mm structural plate washers shall be placed over slotted holes. Diaphragm in stage construction bay shall not be installed until after Stage II pour is completed. Slotted hole bolts shall be finger-tightened prior to the deck closure pour and fully-tightened after completion of the deck pour.

FOR INFORMATION ONLY.
INCLUDED IN BEAM FABRICATION
CONTRACT EXCEPT STUD
SHEAR CONNECTORS.

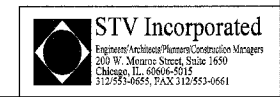


BEARING STIFFENER

BILL OF MATERIAL

Item	Unit	Total
Stud Shear Connectors	Each	2409

- NOTES:**
1. N.T.R. denotes members to which notch toughness requirements are applicable.
 2. All steel shown for the Girders and Bearing Stiffeners shall be AASHTO M270M Grade 345.
 3. All steel shown for the Diaphragm, Connecting Plates and Angles shall be AASHTO M270M Grade 250.



REVISIONS	NAME	DATE

SHT. S-17 OF S-27

ILLINOIS DEPARTMENT OF TRANSPORTATION
IL ROUTE 68 OVER US ROUTE 14
F.A.P. ROUTE 343 SECTION 70HB-R-1
COOK COUNTY STATION 10+001.778
STRUCTURE NO. 016-2861

GIRDER ELEVATION & STEEL DETAILS

DESIGNED: JAN DRAWN: BTO
DATE: 10/06 CHECKED: BTO CHECKED: JAN

10/13/06 10:53:28 AM 10/13/06 2:30:00 PM