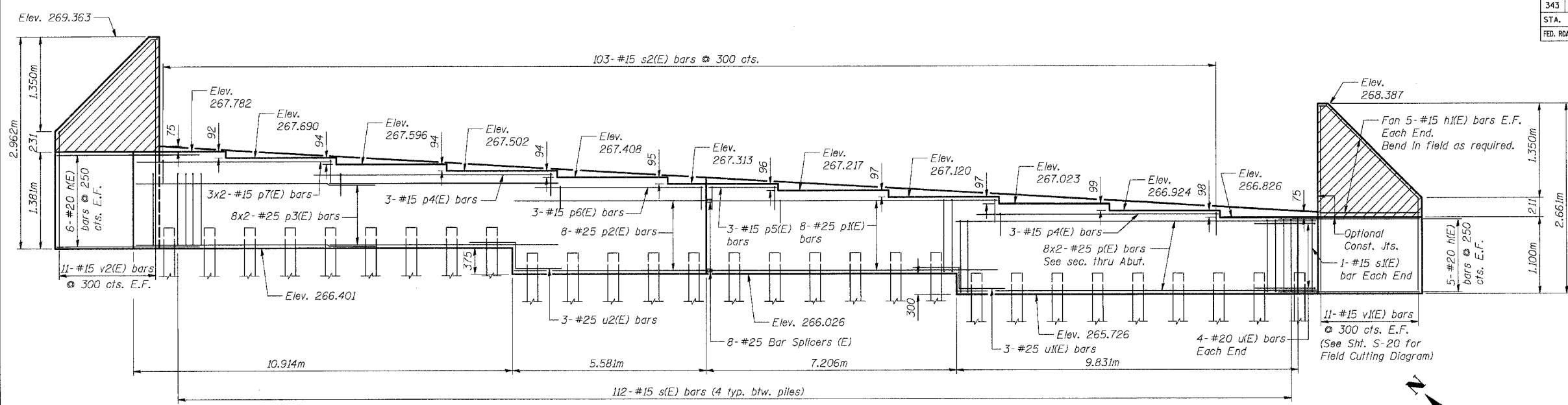
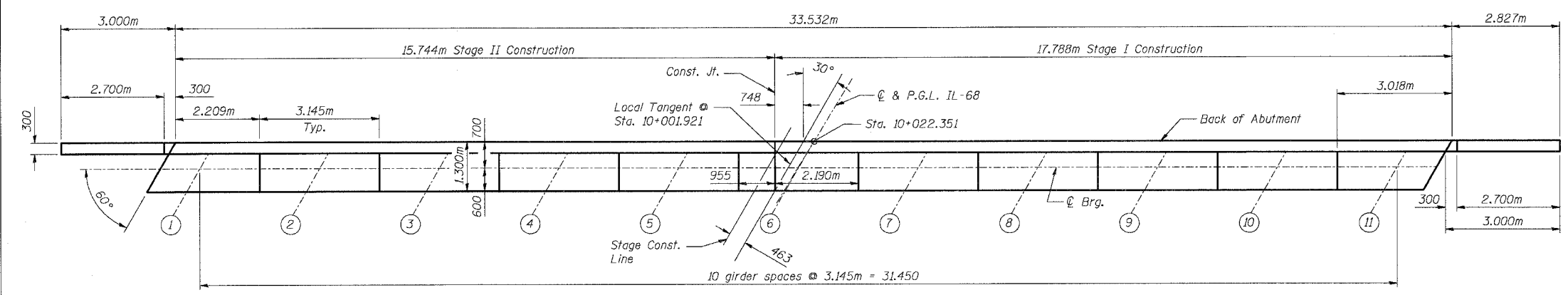


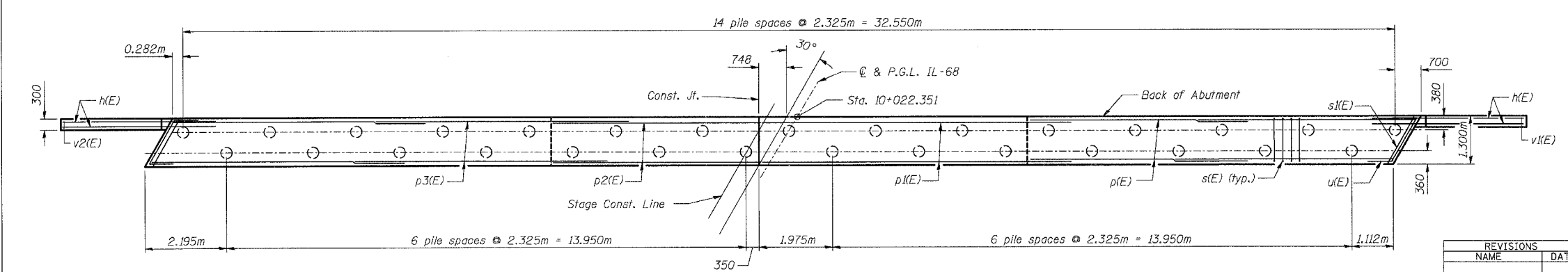
F.A.P. RTE.	SECTION	COUNTY	TOTAL SHEETS	SHEET NO.
343	70HB-R-1	COOK	283	205
STA.		TO STA.		
FED. ROAD DIST. NO.		ILLINOIS FED. AID PROJECT		
CONTRACT NO. 62897				



ELEVATION
(Looking East)



TOP VIEW



PILE PLAN

MIN. BAR LAP

- #15 = 640
- #20 = 790
- #25 = 1.32m

PILE DATA

Pile Size and Type: 305mm ϕ Metal Shell, w/6.3mm wall
 Nominal Required Bearing: 1500 KN
 Allowable Resistance Available: 500 KN
 Est. Pile Length: 22.35m
 Number of Production: 28
 Number of Test Piles: 1
 Piles Shall be driven through 457mm ϕ pre-cored holes extending to Elev. 259.76. The Metal Shell Piles shall be according to ASTM A252, Grade 3.

NOTES:

1. Pour steps monolithically with abutment.
2. Space reinforcement in cap to miss anchor bolts.
3. Bars designated (E) shall be epoxy coated.
4. E.F. Indicates Each Face
5. For Bill of Material, sections and details, see Sht. S-21 of S-27.
6. Hatched area to be poured with deck after girders are in place. Quantity of concrete for hatched area included with "Concrete Superstructure" on sht. S-13 of S-27.

SHT. S-20 OF S-27

REVISIONS	NAME	DATE

ILLINOIS DEPARTMENT OF TRANSPORTATION
 IL ROUTE 68 OVER US ROUTE 14
 F.A.P. ROUTE 343 SECTION 70HB-R-1
 COOK COUNTY STATION 10+001.778
 STRUCTURE NO. 016-2861
EAST ABUTMENT PLAN & ELEVATION
 DESIGNED: BTO
 CHECKED: JAN
 DATE: 10/06
 DRAWN: BTO
 CHECKED: JAN



10/13/2006 2:37:43 PM