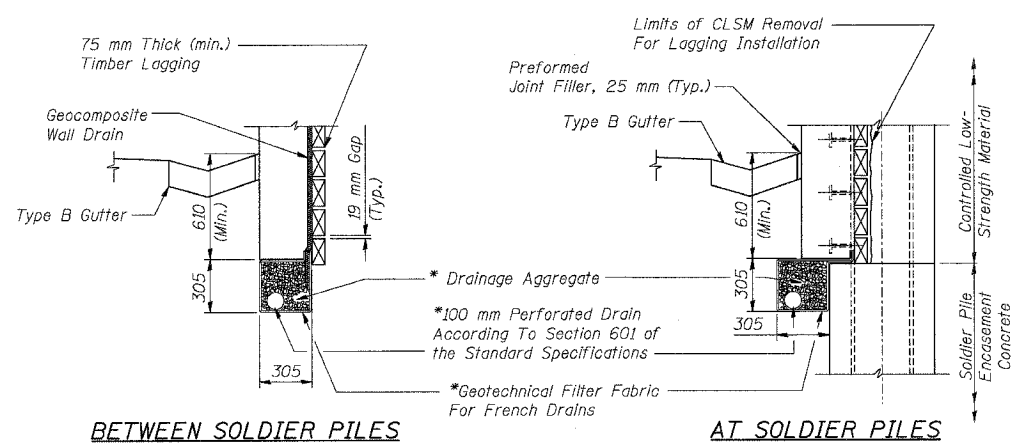
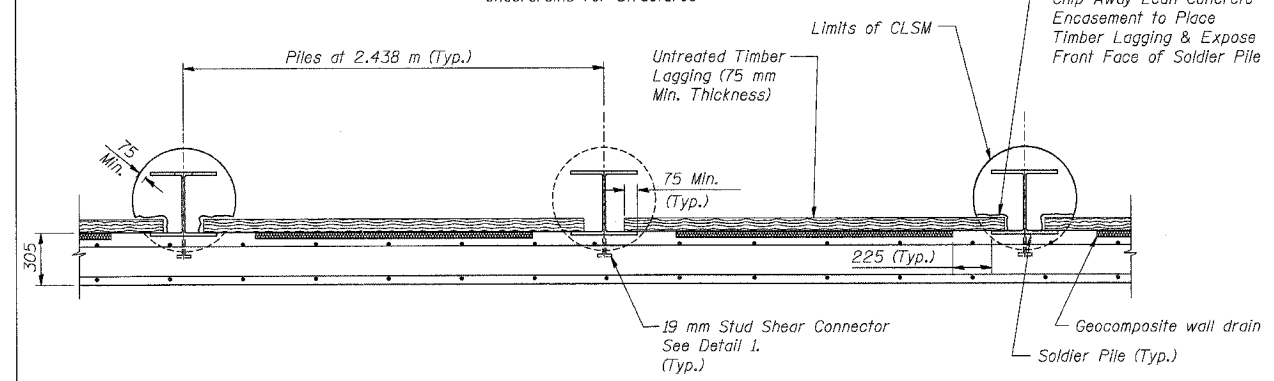


F.A.P. RTE.	SECTION	COUNTY	TOTAL SHEETS	SHEET NO.
343	70HB-R-1	COOK	283	217
STA.	TO STA.			
FED. ROAD DIST. NO.	ILLINOIS FED. AID PROJECT			
CONTRACT NO. 62897				

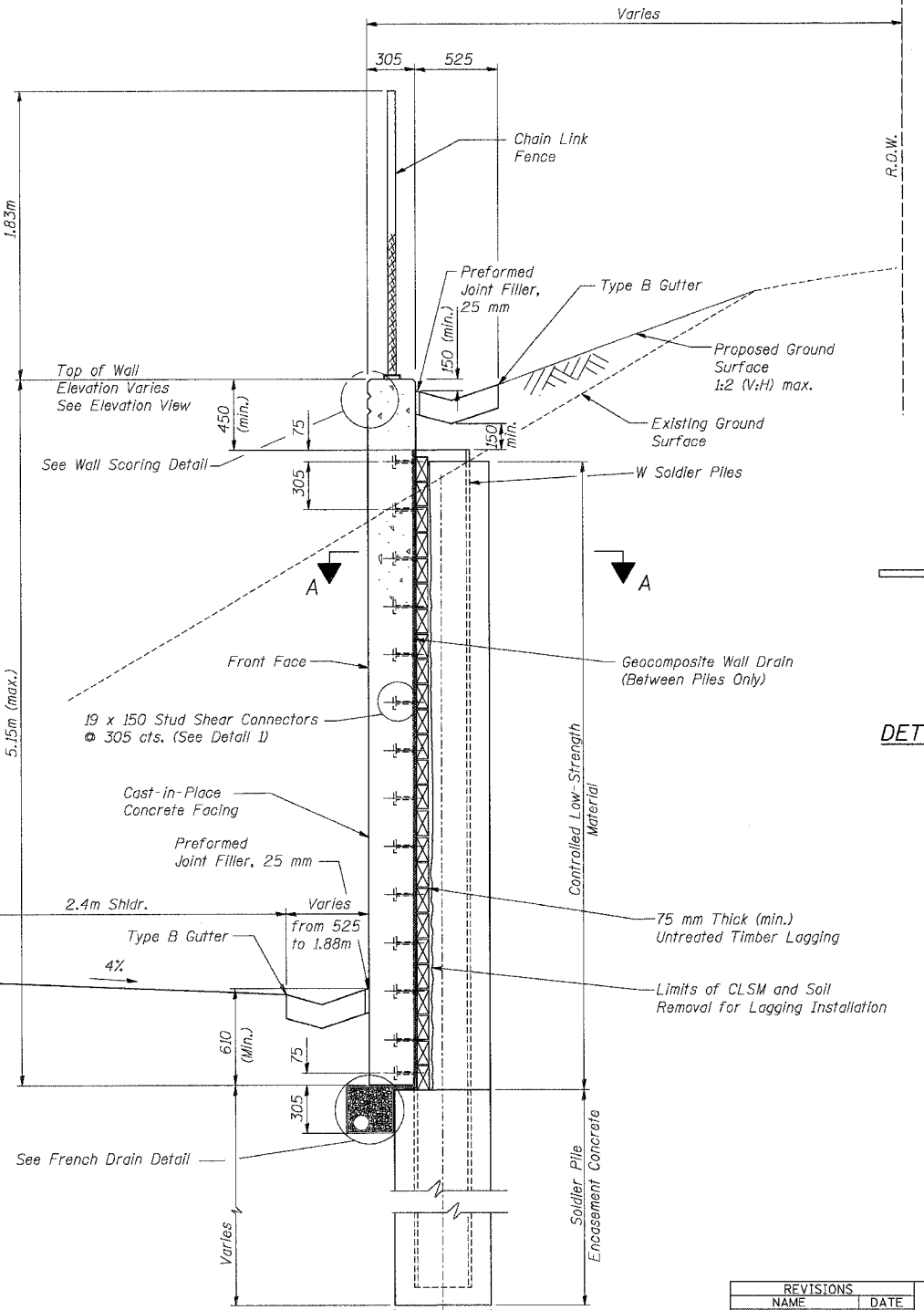
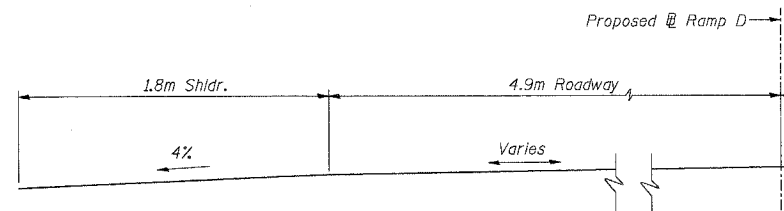


FRENCH DRAIN DETAIL

* Included in the cost of "Pipe Underdrains For Structures"

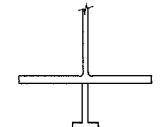


SECTION A-A

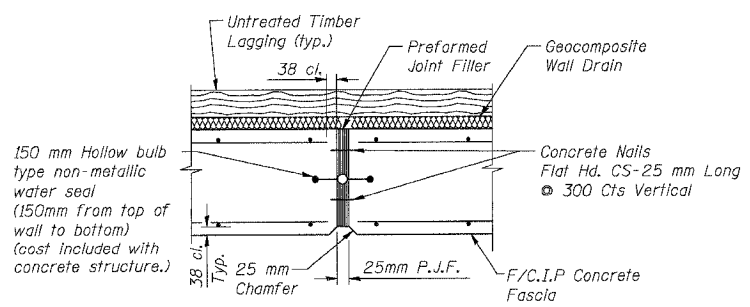


Contractor shall use Caution not to Overexcavate in the Placement of Timber Lagging

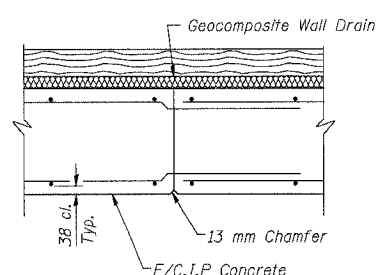
TYPICAL WALL SECTION AT SOLDIER PILE



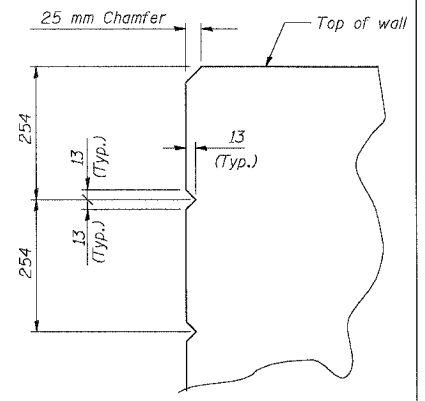
DETAIL I



EXPANSION JOINT DETAIL



CONSTRUCTION JOINT DETAIL



WALL SCORING DETAIL

SHT. S-05 OF S-08

REVISIONS	
NAME	DATE



ILLINOIS DEPARTMENT OF TRANSPORTATION
 IL ROUTE 68 F.A.P. ROUTE 343
 SECTION 70HB-R-1 COOK COUNTY
 DRILLED SOLDIER PILE WALL
 STATION 0+072.591 TO 0+179.500
 STRUCTURE NO. 016-W979
 SOLDIER PILE WALL DETAILS
 DESIGNED: BTO DRAWN: BTO
 DATE: 10/06 CHECKED: JAN CHECKED: JAN