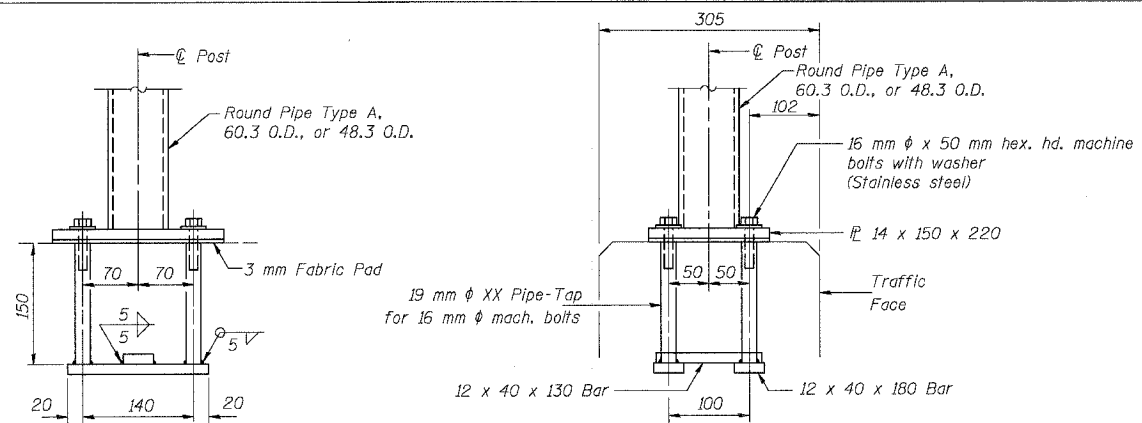


F.A.P. RTE.	SECTION	COUNTY	TOTAL SHEETS	SHEET NO.
343	70HB-R-1	COOK	283	218
STA.	TO STA.			
FED. ROAD DIST. NO.	ILLINOIS	FED. AID PROJECT		

NOTES

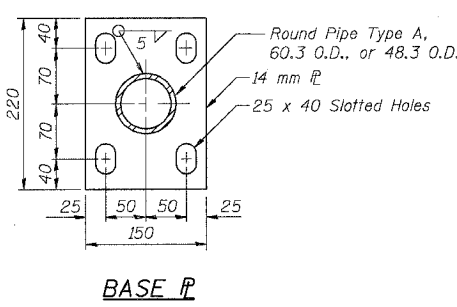
CONTRACT NO. 62897

- Posts, chain link fence, and attaching hardware shall be according to Section 1006 of the Standard Specifications, except as noted, and shall be paid for at the contract unit price per meter for Chain Link Fence, 1.8m Attached to Structure.
- The 9 gauge (3.759 mm) fabric ties shall be according to Article 1006.27(d) of the Standard Specifications.
- Installation of the chain link fabric shall be according to Section 664 of the Standard Specifications.
- Stretcher bars shall be used at all end posts.
- All other steel shapes and plates shall conform to the requirements of AASHTO M 270M Grade 250.
- The chain link fabric shall be placed along the south side of the posts.
- If the option of drilling and epoxy grouting the anchor rods is chosen, the Contractor shall use the capsule or the adhesive cartridge type anchor rods that have been previously tested and given a prior approval by the Department. The Contractor shall install these anchor rods in pre-drilled holes according to the manufacturer's recommendations and procedures. The capsule or the adhesive cartridge shall be sealed with premeasured amounts of the adhesive chemical.
- Space reinforcement to miss anchor rods.
- All dimensions are in millimeters (mm) except as noted.
- All posts, railings, splices, anchor devices, and bent plates shall be galvanized after shop fabrication according to AASHTO M 111 and ASTM A 385. All bolts, nuts, washers and anchor rods shall be galvanized according to AASHTO M 232 except stainless steel bolts as noted.
- Vent holes for galvanizing shall be placed in the posts and rails at locations that will not allow the accumulation of moisture in the members.
- The chain link fabric shall conform to the requirements of Article 1006.27(a)(1)a, b or c of the Standard Specifications.

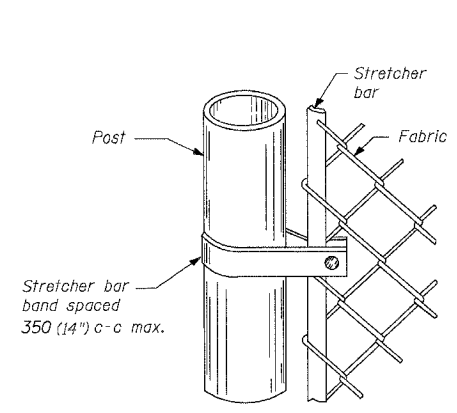


ANCHOR BOLT DETAILS

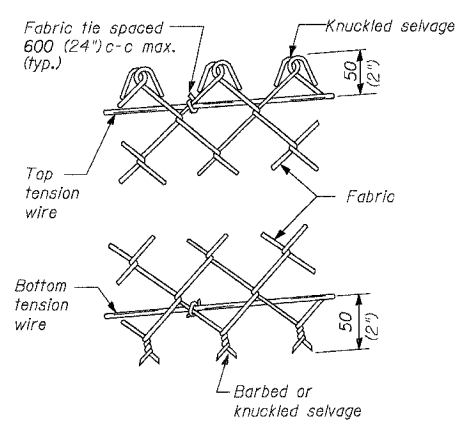
(In lieu of the cast-in-place anchor device shown, the Contractor has the option of drilling and epoxy grouting M16 anchor rods. Embedment shall be according to the manufacturer's specifications.)



BASE P



METHOD OF FASTENING STRETCHER BAR TO POST

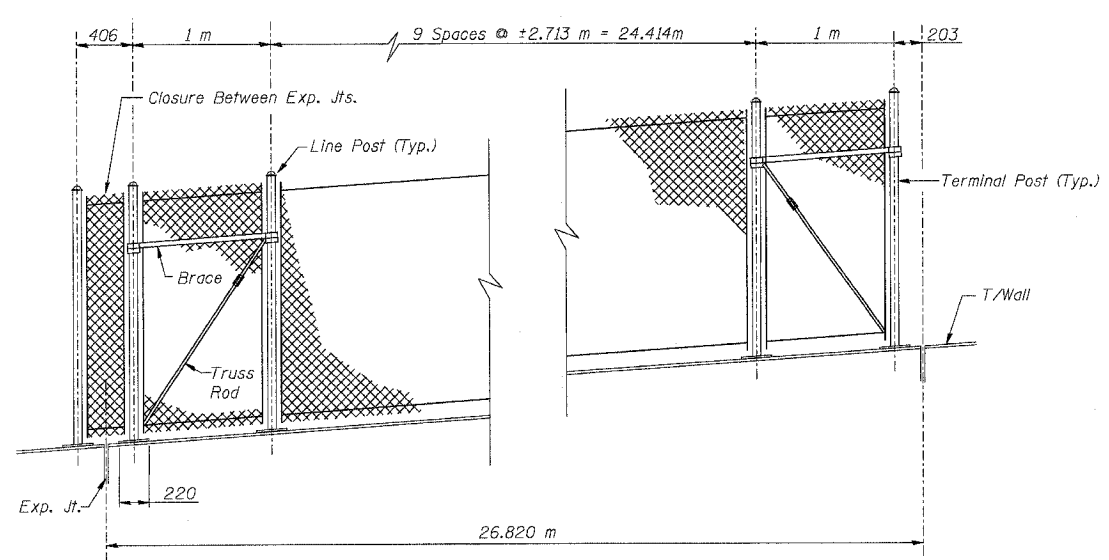


METHOD OF TYING FABRIC TO TENSION WIRES

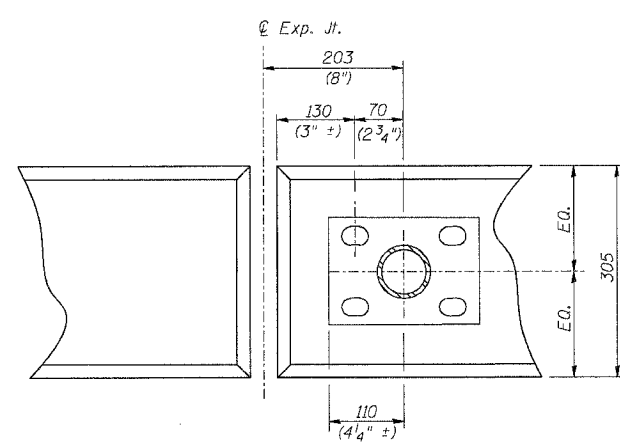
LINE POST	
Section	kg/m (lbs./ft.)
Pipe Type A 48.3 O.D. (1.90")	4.05 (2.72)

TERMINAL POST	
Section	kg/m (lbs./ft.)
Pipe Type A 60.3 O.D. (2.375")	5.43 (3.65)

HORIZONTAL BRACES	
Section	kg/m (lbs./ft.)
Pipe Type A 42.2 O.D. (1.66")	3.38 (2.27)
Pipe Type B 42.2 O.D. (1.66")	



TYPICAL CHAIN LINK FENCE BETWEEN EXPANSION JOINTS



ANCHOR PLATE PLAN @ EXPANSION JOINT

BILL OF MATERIAL

Item	Unit	Quantity
Chain Link Fence, 1.8 Meter Attached to Structure	m	107

SHT. S-06 OF S-08

REVISIONS	
NAME	DATE

ILLINOIS DEPARTMENT OF TRANSPORTATION
 IL ROUTE 68 F.A.P. ROUTE 343
 SECTION 70HB-R-1 COOK COUNTY
 DRILLED SOLDIER PILE WALL
 STATION 0+072.591 TO 0+179.500
 STRUCTURE NO. 016-W979
CHAIN LINK FENCE DETAILS
 DESIGNED: BTO DRAWN: BTO
 DATE: 10/06 CHECKED: JAN CHECKED: JAN

STV Incorporated
 Engineer/Architect/Planner/Construction Manager
 200 W. Madison Street, Suite 1650
 Chicago, IL 60606-3011
 312.551-6655, FAX 312.551-6661