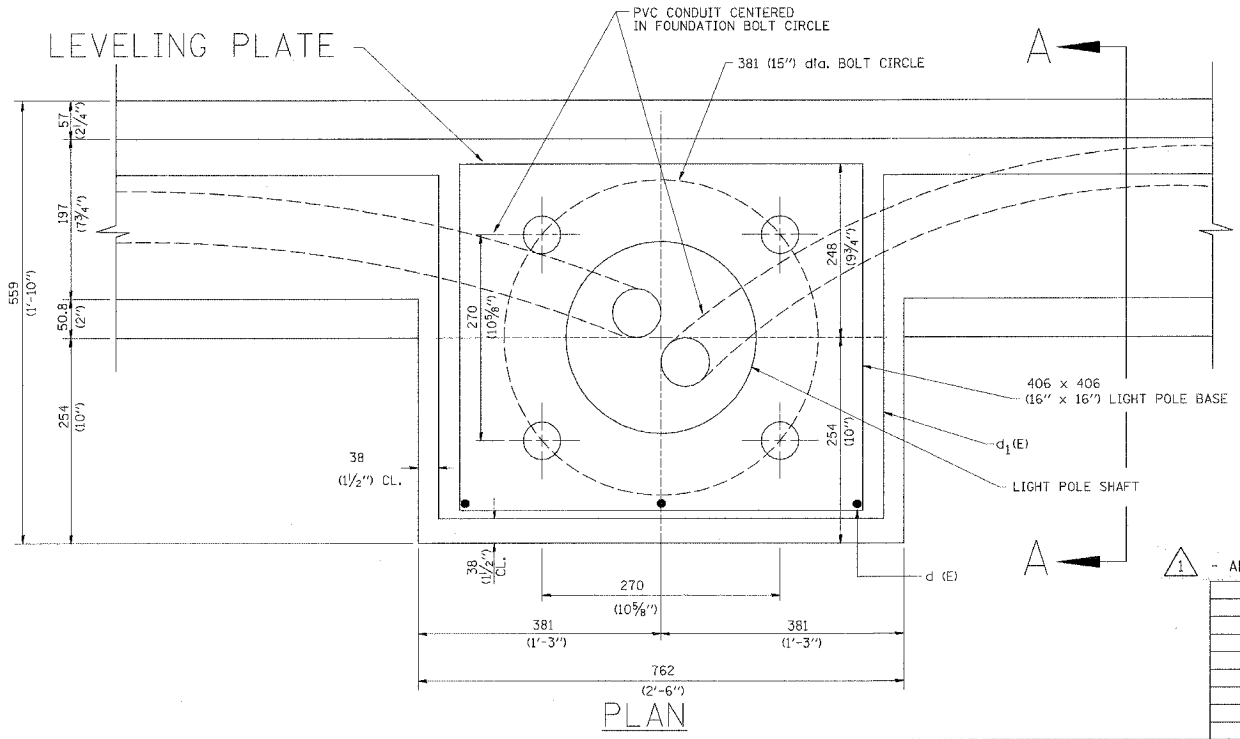
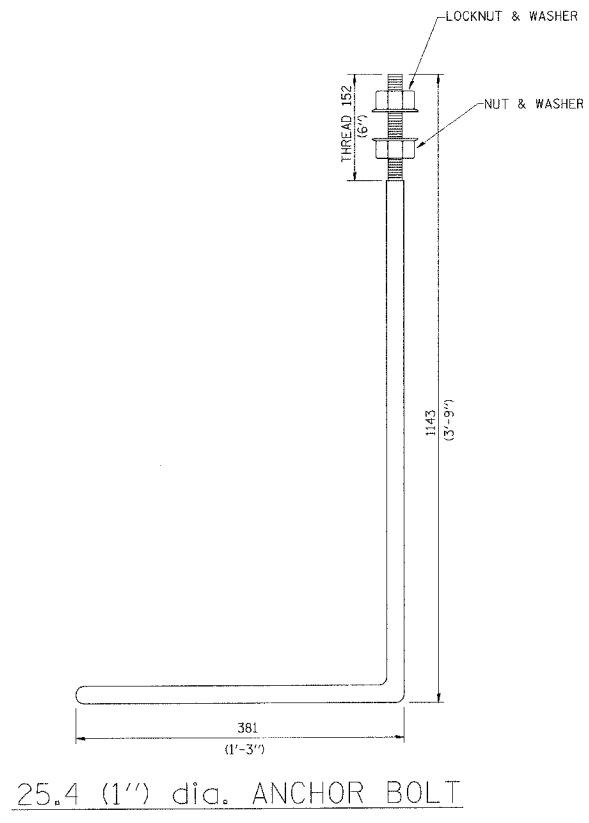
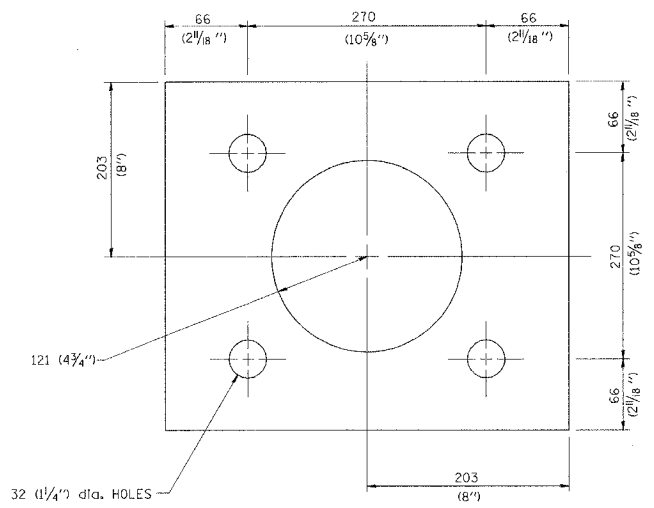
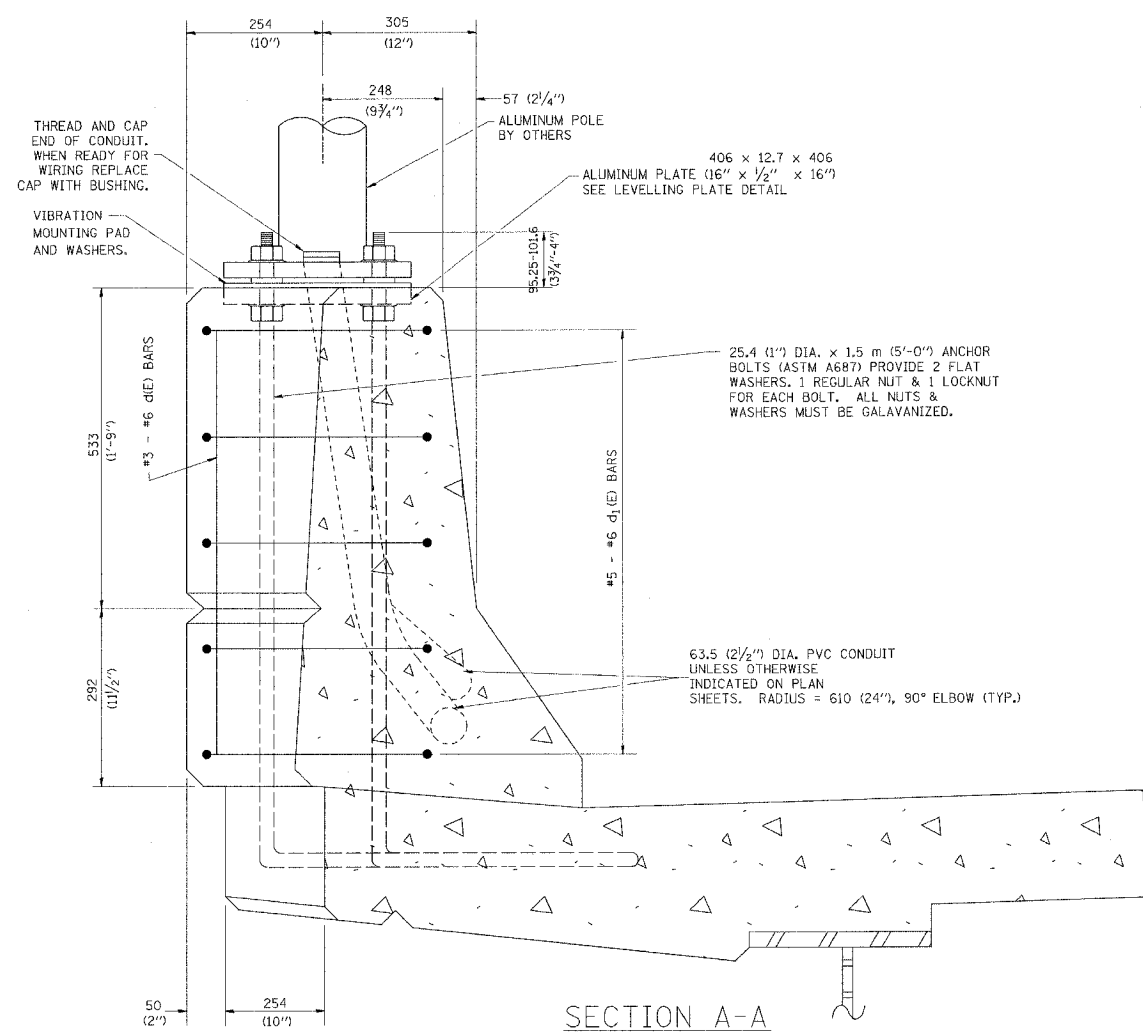
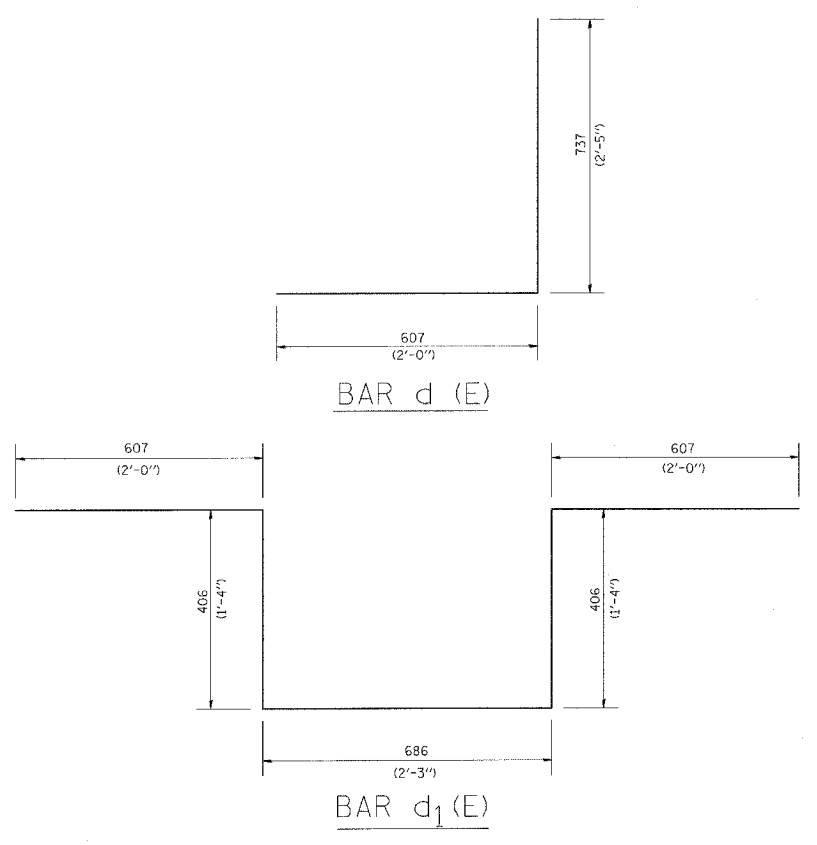


F. A. RFE.	SECTION	COUNTY	TOTAL SHEETS	SHEET NO.
			283	224R
STA.		TO STA.		
FED. ROAD DIST. NO.	ILLINOIS	FED. AID PROJECT		



- NOTES**
1. ALL DIMENSIONS ARE IN MILLIMETERS (INCHES) UNLESS OTHERWISE SHOWN.
  2. LEVEL LIGHT POLE PLATES, USING THE FLANGE NUTS, PRIOR TO POURING THE PARAPET WALL. THE TOP OF THE PLATE SHALL BE AT THE SAME ELEVATION AS THE FINISHED CONCRETE PARAPET.
  3. THE COST OF ANCHOR BOLTS, CONDUIT, LEVELLING PLATE AND FOUNDATION IS INCLUDED IN THE COST OF THE BRIDGE STRUCTURE.

ADDED SHEET 1-3-07

REVISIONS	
NAME	DATE

BE-330

ILLINOIS DEPARTMENT OF TRANSPORTATION

**LIGHT POLE MOUNTED ON CONCRETE PARAPET WALL**

**381 mm (15") BOLT CIRCLE**

SCALE: NONE

DATE 10/18/2002

DRAWN BY

CHECKED BY

BE-330

REVISION DATE: 04/22/02

\*DATE-TIME\*  
\*DGN-SPEC\*  
VI-BE-330