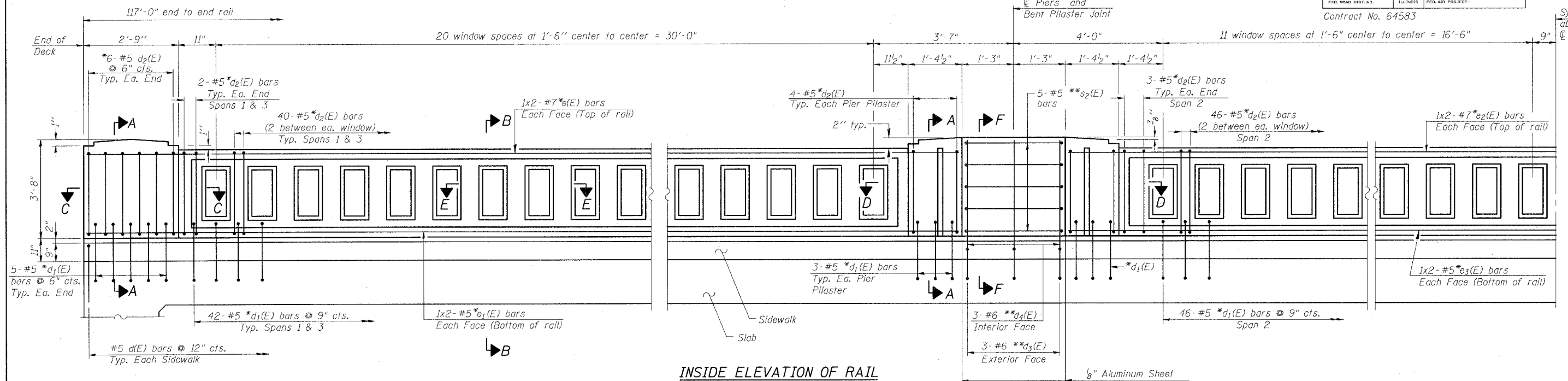


STATE OF ILLINOIS
DEPARTMENT OF TRANSPORTATION

ROUTE NO. FAU 567 (IL 38)	SECTION 34-XBR	COUNTY DEKALB	TOTAL SHEETS 90	SHEET NO. 38	SHEET NO. 7 14 SHEETS
FED. ROAD DIST. NO.		ILLINOIS	FED. AID PROJECT		

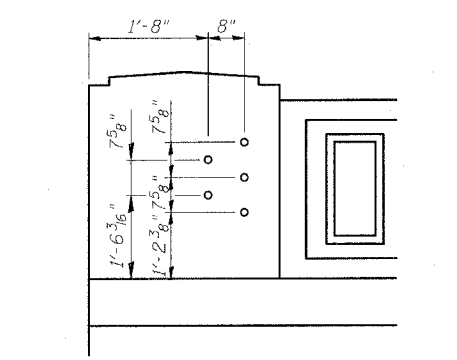
Contract No. 64583

Symm. about
Span 2

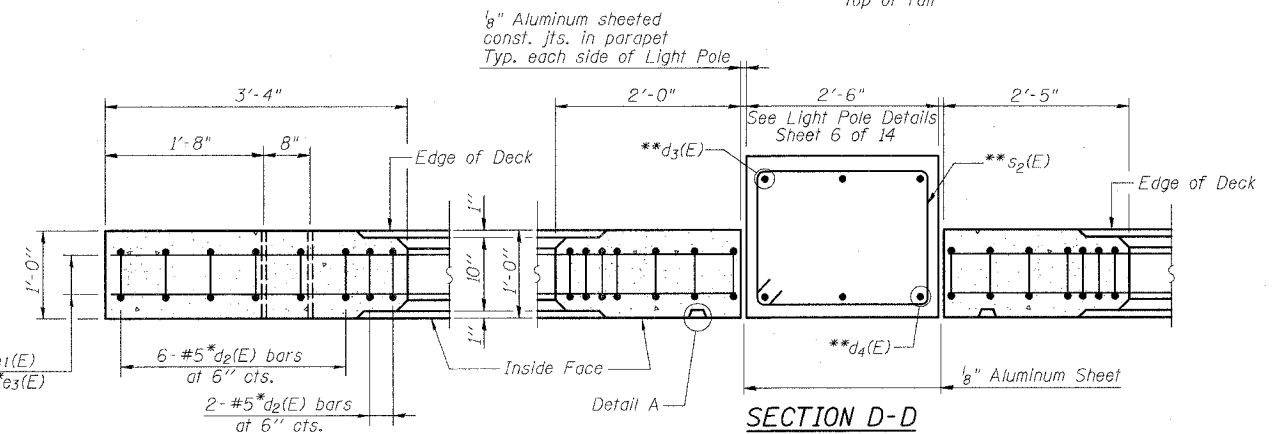


INSIDE ELEVATION OF RAIL

* Reinforcement bars included with "Concrete Bridge Rail, Sidewalk Mounted".
** Reinforcement bars included with "Anchor Rods".

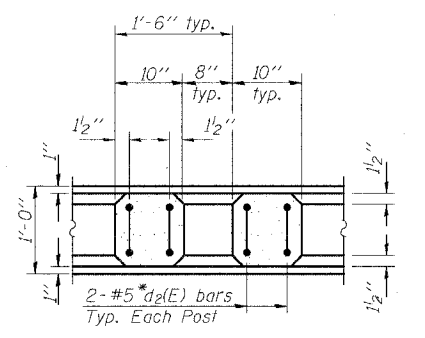


GUARDRAIL ATTACHMENT DETAIL
(Approach Ends Only)

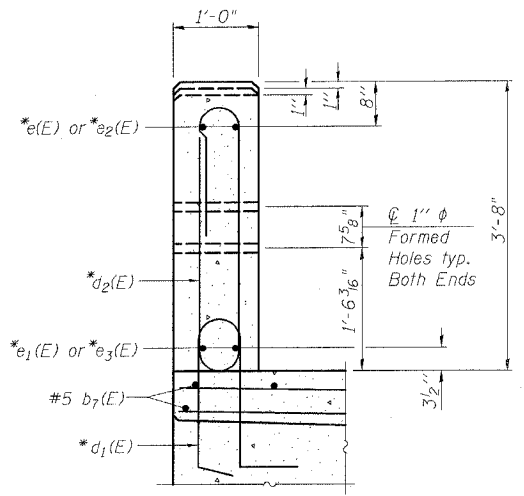


SECTION C-C

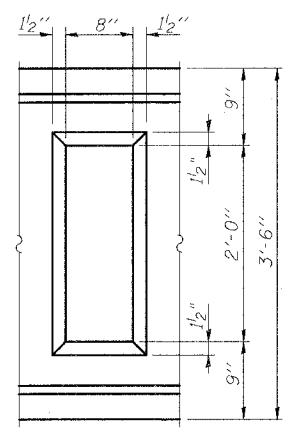
SECTION D-D



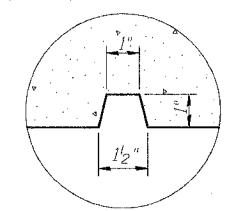
SECTION E-E



SECTION A-A



WINDOW DETAIL



DETAIL A

Notes:
All concrete for railing wall shall be Class BS according to Article 1020.04 of the Standard Specifications. Surface of railing shall receive a rubbed finish according to Article 503.15(b) of the Standard Specifications.
All parts of the railing including concrete and reinforcing will be paid for at the contract unit price per foot for Concrete Bridge Rail, Sidewalk Mounted.
Holes and recesses must be formed or cored. Drilling is not permitted.
For Section F-F, see Sheet 6 of 14.
For Section B-B, see Section thru Sidewalk, Sheet 6 of 14.

REVISIONS	
NAME	DATE

ILLINOIS DEPARTMENT OF TRANSPORTATION
RAILING DETAILS
F.A.U. ROUTE 567 (IL 38) OVER SOUTH BRANCH OF THE KISHWAUKEE RIVER DEKALB COUNTY - SEC. 34-XBR STA. 140+96.71 S.N. 019-0044
SCALE: VERT. HORIZ. DATE: 7/6/05
DRAWN BY: LANDREY DESIGNED BY: TRELLO CHECKED BY: SANFORD
COMPUTER FILE NO. SN019-0044RAIL PROJECT 05198 1/18/07-MML

FILE NAME = H:\CEIB9\DRAWINGS\SN019-0044\SN019-0044.dgn
PLOT SCALE = 0.0833
PLOT DATE = 1/18/2007
PLOT TIME = 10:23:17 AM
OPERATOR = michaemel