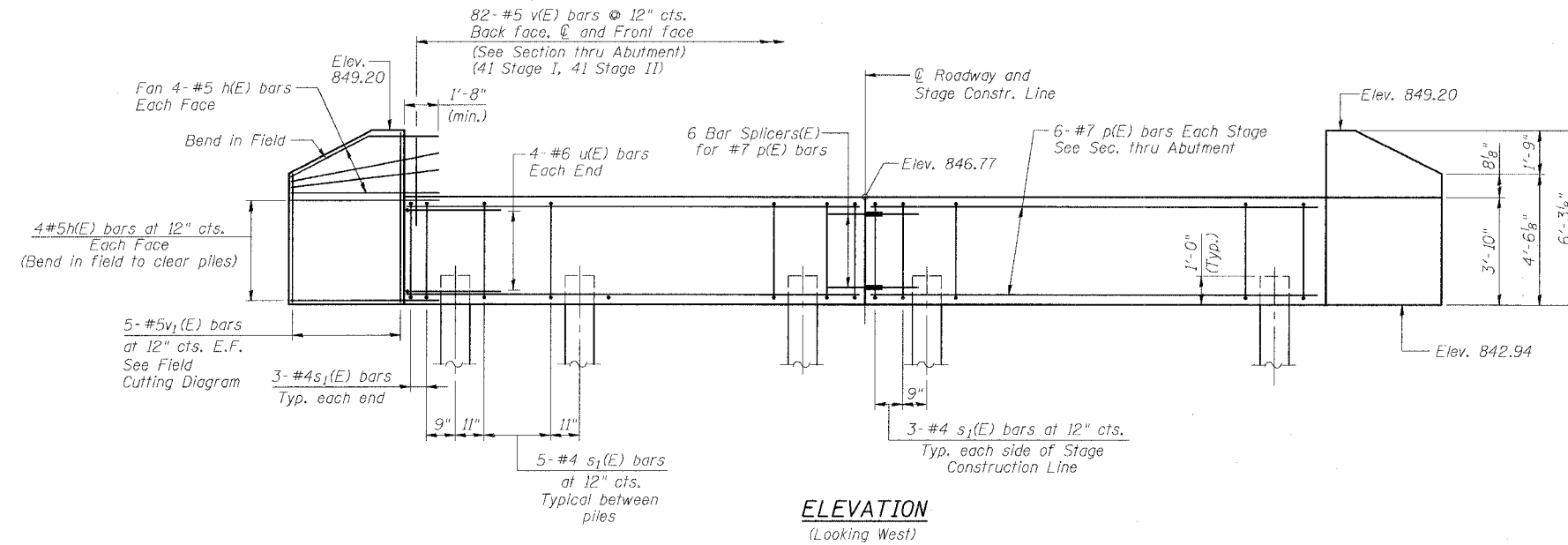


STATE OF ILLINOIS
DEPARTMENT OF TRANSPORTATION

ROUTE NO.	SECTION	COUNTY	TOTAL SHEETS	SHEET NO.	SHEET NO. 8 14 SHEETS
FAU 567 (IL 38)	34-XBR	DEKALB	90	39	
FED. ROAD DIST. NO.	ILLINOIS	FED. AID PROJECT			

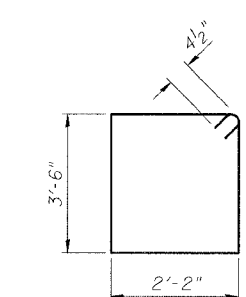
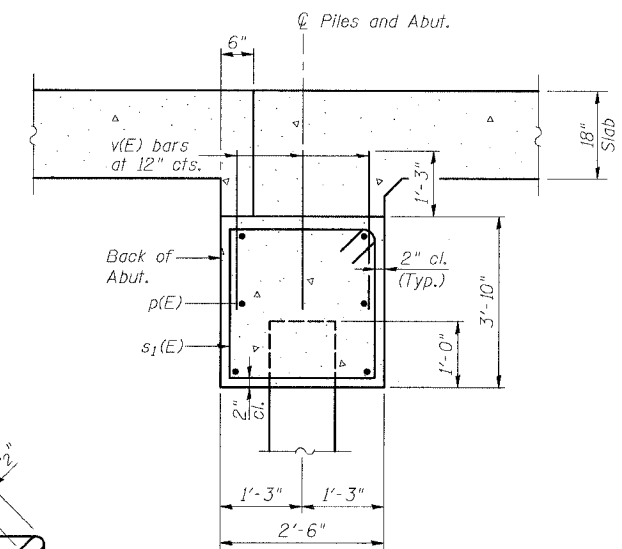
Contract No. 64583



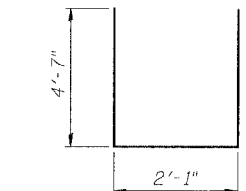
Note:
The Metal Shell piles shall be according to ASTM A 252 Grade 3.

PILE DATA

Type and Size: Metal Shell - 14 in. dia. x 0.25 in. wall
Nominal Required Bearing: 192 kips
Allowable Resistance Available: 64 kips
Estimated Length: 27 feet



BAR s₁(E)



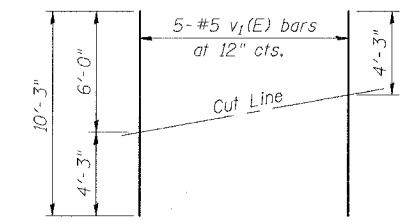
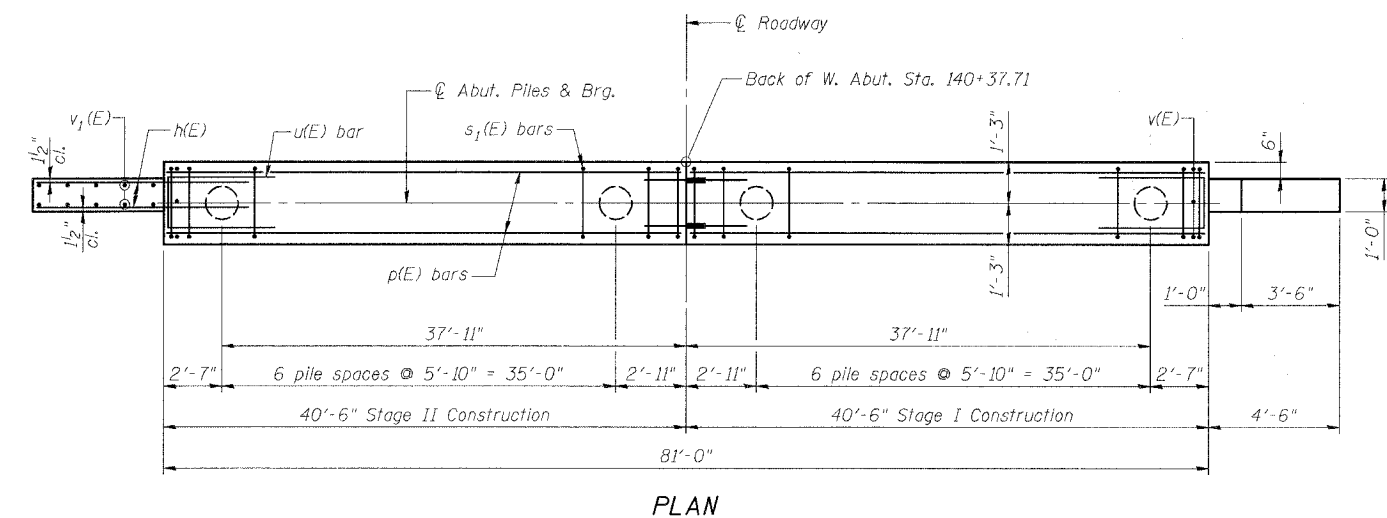
BAR u(E)

**BILL OF MATERIAL
WEST ABUTMENT**

Bar	No.	Size	Length	Shape
h(E)	32	#5	6'-8"	—
p(E)	12	#7	40'-3"	—
s ₁ (E)	72	#4	12'-1"	□
u(E)	8	#6	11'-3"	—
v(E)	246	#5	3'-7"	—
v ₁ (E)	10	#5	10'-3"	—

Concrete Structures	Cu. Yd.	30.6
Reinforcement Bars, Epoxy Coated	Pound	2950
Furnishing Metal Shell Piles, 14"	Foot	378
Structure Excavation	Cu. Yd.	60
Driving Piles	Foot	378

Reinforcement bars designated (E) shall be epoxy coated



Order v₁(E) bars full length. Cut as shown and use remainder of bars in opposite face.

REVISIONS	
NAME	DATE

ILLINOIS DEPARTMENT OF TRANSPORTATION
WEST ABUTMENT

F.A.U. ROUTE 567 (IL 38) OVER
SOUTH BRANCH OF THE KISHWAUKEE RIVER
DEKALB COUNTY - SEC. 34-XBR
STA. 140+96.71
S.N. 019-0044

SCALE: VERT. DATE: 7/6/05

DRAWN BY: LANDREY
DESIGNED BY: TRELLO
CHECKED BY: SANFORD
COMPUTER FILE NO. SMO19-0044:ABUT.W
PROJECT 05198
12/4/06-MML

FILE NAME = J:\D5198\DRAWINGS\SMO19-0044\ASNO19-0044.dgn
PLOT SCALE = 2.6667 / 1
PLOT DATE = 12/4/2006
PLOT TIME = 1:57:42 PM
OPENED BY = michelle