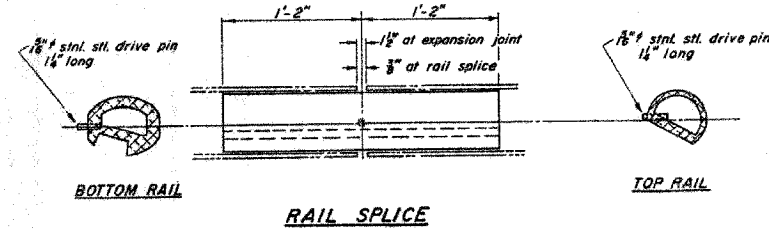
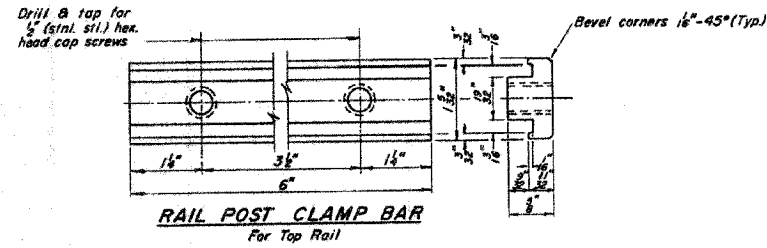
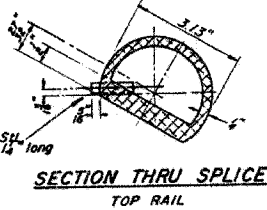
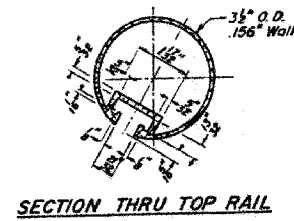


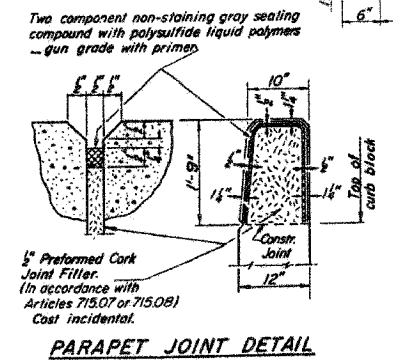
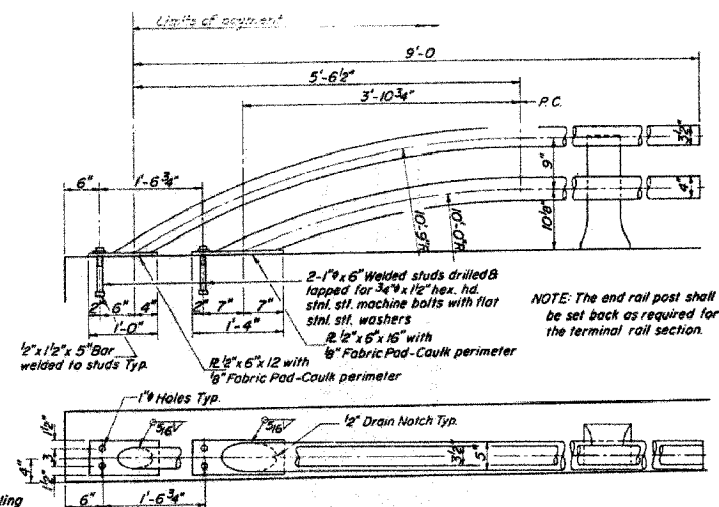
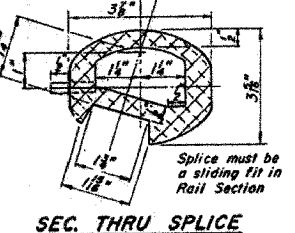
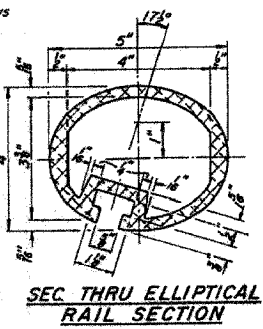
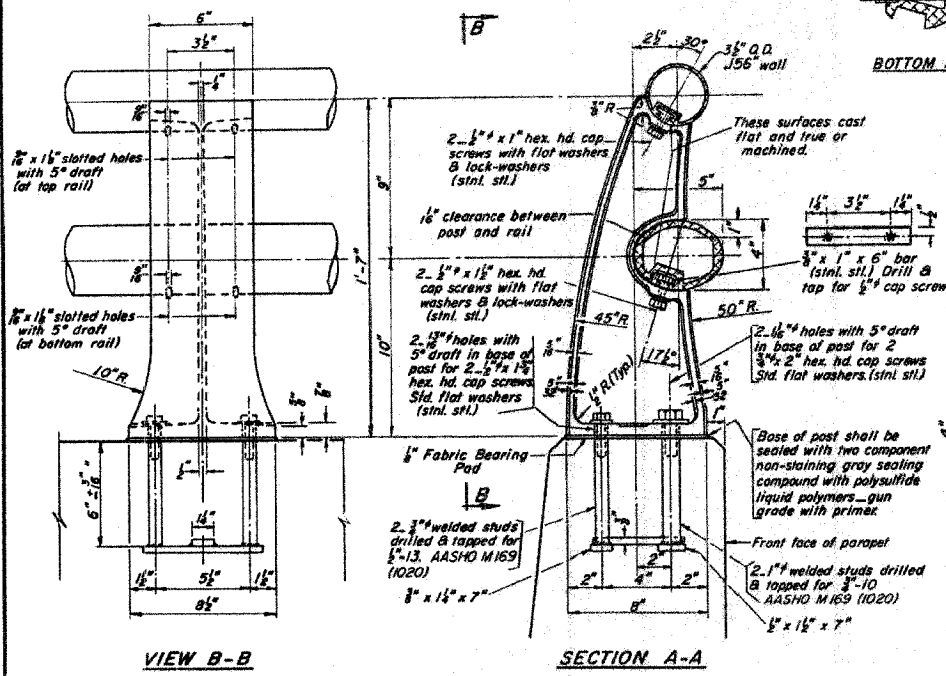
F.A.P. RTE.	SECTION	COUNTY	TOTAL SHEETS	SHEET NO.
567	34X-BR	DEKALB	90	52
STA.		TO STA.		
FED. ROAD DIST. NO.		ILLINOIS FED. AID PROJECT		

STATE OF ILLINOIS  
DEPARTMENT OF TRANSPORTATION

DISTRICT	SECTION	COUNTY	TOTAL SHEETS	SHEET NO.
5	34X-BR	DEKALB	90	52



**NOTES:**  
 All Posts shall be normal to parapet.  
 All Aluminum Alloy Extruded Rail shall be supplied in modular lengths of 30 feet, except at the end of bridge or over open joints in bridge deck where the rail shall be attached to a minimum of 2 posts. If the rail is on a horizontal curve of 2300 foot radius or less, the modular lengths may be reduced but shall be attached to a minimum of 2 posts.  
 All joints in rail shall be spliced per detail.  
 Provide 1-1/8" and 2-1/8" Aluminum Shims for 25% of the Posts.  
 Rail elements shall be parallel to Grade - high spots shall be ground and low spots shimmed.  
 Railing shall be in accordance with Section 508 of the Standard Specifications, except as noted, and shall be paid for at the contract unit price per linear foot for ALUMINUM RAILING, TYPE L.  
 Aluminum alloy rail shall conform to ASTM B 221 alloy 6061-T6 or 6351-T5 with min. yield 35 ksi, min. tensile 38 ksi, and elongation of 10% in 2 inches.



**BILL of MATERIALS**

Item	Unit	Quantity
ALUMINUM RAILING, TYPE L	Lin. Ft.	174

**TYPE L  
ALUMINUM RAILING  
F.A. RT. 567 SEC. 34-X-BY  
DEKALB COUNTY  
STA. 141+02.40**

**RAIL POST DETAILS**

DESIGNED S.V.	EXAMINED <i>March 20 1977</i>
CHECKED <i>I.G.</i>	PASSED
DRAWN S.V.	APPROVED
CHECKED <i>I.G.</i>	

R-20 4-15-73

**FOR INFORMATION ONLY**

PLOT DATE: # DATES  
 FILE NAME: # FILES  
 PLOT SCALE: # SCALES  
 REFERENCE: # REFERENCES  
 ORIGINATOR: # ORIGINATOR

ILLINOIS DEPARTMENT OF TRANSPORTATION  
**EXISTING BRIDGE PLANS**  
 FAP RTE 567 (IL RTE 38)  
 SECTION 34X-BR  
 DEKALB COUNTY

SCALE: VERT. \_\_\_\_\_  
 HORIZ. \_\_\_\_\_  
 DATE: 2/24/06

DRAWN BY: SUTHEARD  
 CHECKED BY: BOIT

GREENE & BRADFORD, INC.  
 CONSULTING ENGINEERS  
 1100 N. WASHINGTON ST., SUITE 200  
 DEKALB, ILLINOIS 62521  
 PHONE: 618-401-1100 FAX: 618-401-1101  
 WWW: WWW.GREENE-AND-BRADFORD.COM

COMPUTER FILE NO.  
 D10800EPLN  
 PROJECT 05198  
 2/27/06-MDS

**EXISTING BRIDGE PLANS**