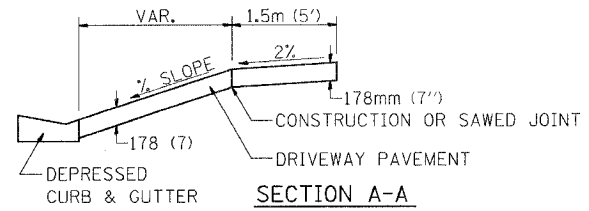
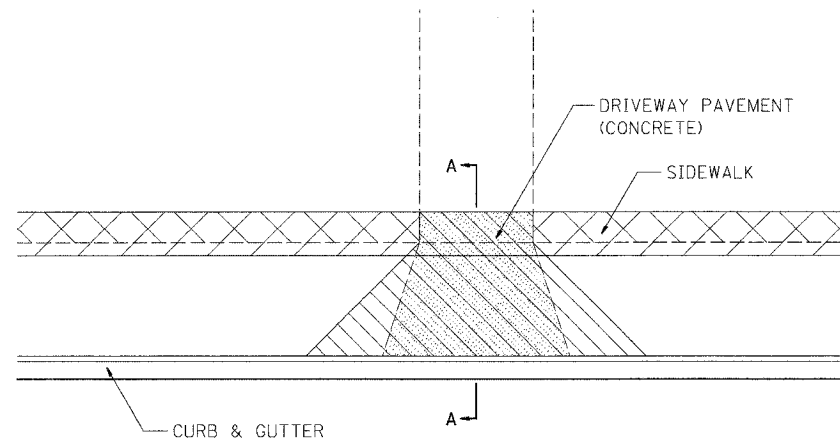


F.A.P. RTE.	SECTION	COUNTY	TOTAL SHEETS	SHEET NO.
567	34X-BR	DEKALB	90	67
STA.		TO STA.		
FED. ROAD DIST. NO.		ILLINOIS	FED. AID PROJECT	

SIDEWALK AND DRIVEWAY PAVEMENT PAY AREAS

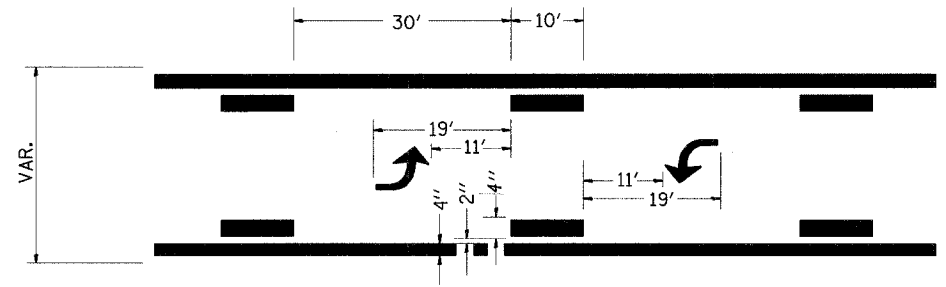
- PAY FOR AS
- SIDEWALK REMOVAL
 - DRIVEWAY PAVEMENT REMOVAL
 - PCC SIDEWALK 127 (5)
 - PCC DRIVEWAY PAVEMENT 178 (7)



FOR DETAILS ON DIMENSIONS AND GRADES, SEE DISTRICT STANDARD 25.1 OR PLANS.
ALL DIMENSIONS ARE IN MILLIMETERS (INCHES) UNLESS OTHERWISE NOTED.

SIDEWALK AND DRIVEWAY PAVEMENT PAY AREAS 35.4

REVISED 10-15-04



TYPICAL APPLICATION @ BI-DIRECTIONAL TURN LANE

780-2

LETTERING FOR NAME PLATE

STATION 140+96.71
BUILT 2007 BY
STATE OF ILLINOIS
FAP RTE. 567 SEC. 34X-BR
FA PROJECT
LOADING HS 20
STR. NO. 019-0044

SEE STD. 515001

LETTERING FOR NAME PLATE 89.4

REVISED 10-15-04

PLOT DATE = #DAYS
FILE NAME = #FILES
PLOT SCALE = #SCALE
PLOT SIZE = #SIZE
OPERATOR = #USER

REVISIONS	
NAME	DATE
IDOT REVIEW	10/25/06

ILLINOIS DEPARTMENT OF TRANSPORTATION
DETAILS
FAP RTE 567 (IL RTE 38)
SECTION 34X-BR
DEKALB COUNTY

SCALE: VERT. _____
HORIZ. _____
DATE 10/12/05

DRAWN BY SUTHEARD
CHECKED BY BOTT

COMPUTER FILE NO. D10800SPL
PROJECT 05198
10/25/06-GSJ

GREENE & BRADFORD, INC.
OF SPRINGFIELD
REGISTERED PROFESSIONAL ENGINEERS
STATE OF ILLINOIS 027-1007
REGISTERED PROFESSIONAL SURVEYORS
STATE OF ILLINOIS 027-1007
REGISTERED PROFESSIONAL ARCHITECTS
STATE OF ILLINOIS 027-1007
REGISTERED PROFESSIONAL LANDSCAPE ARCHITECTS
STATE OF ILLINOIS 027-1007