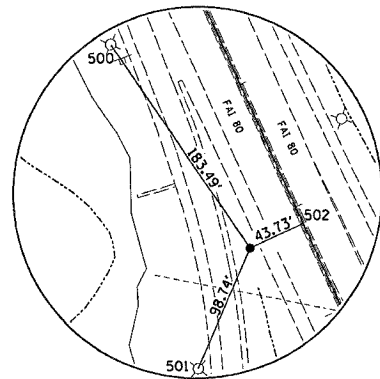
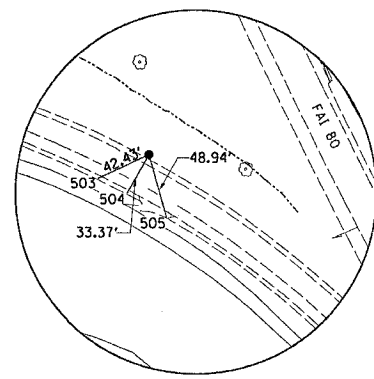


F.A.I. RTE.	SECTION	COUNTY	TOTAL SHEETS	SHEET NO.
80	(81-1)M-3	ROCK ISLAND	25	8
STA.		TO STA.		
FED. ROAD DIST. NO.	ILLINOIS	FED. AID PROJECT		

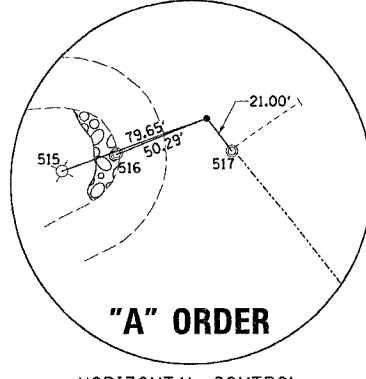
# HORIZONTAL & VERTICAL CONTROL



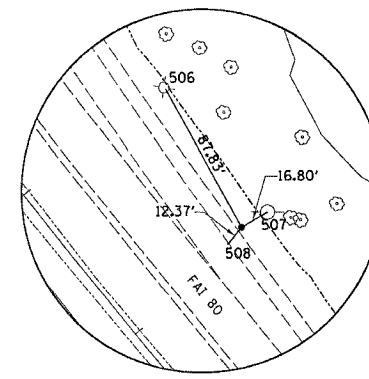
HORIZONTAL CONTROL  
POINT No. 903300



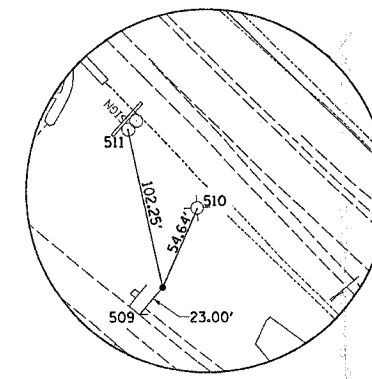
HORIZONTAL CONTROL  
POINT No. 903264



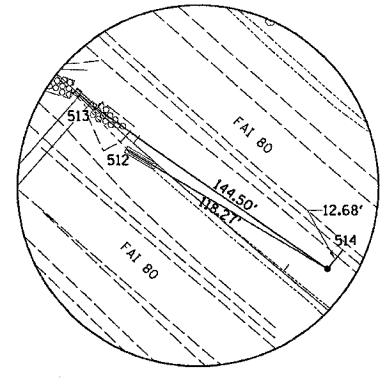
HORIZONTAL CONTROL  
POINT No. 65723063  
ROC80-1A



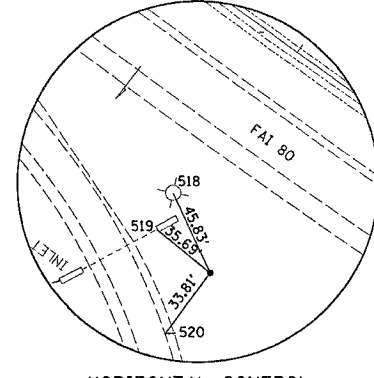
HORIZONTAL CONTROL  
POINT No. 903262



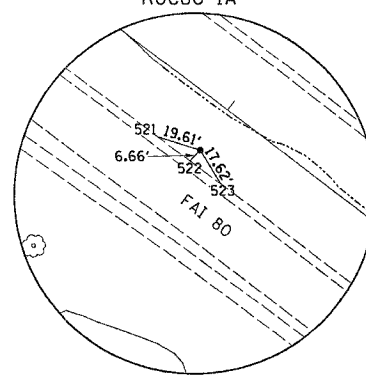
HORIZONTAL CONTROL  
POINT No. 903302



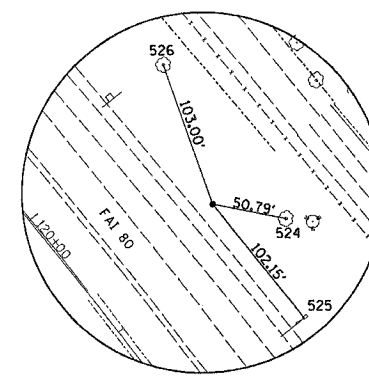
HORIZONTAL CONTROL  
POINT No. 903303



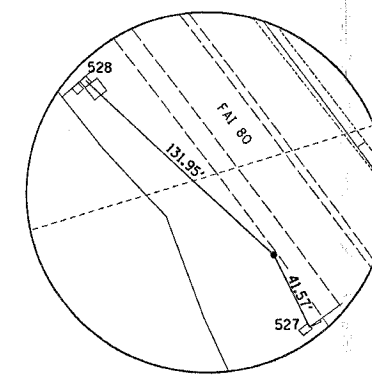
HORIZONTAL CONTROL  
POINT No. 65723062  
ROC80-1B



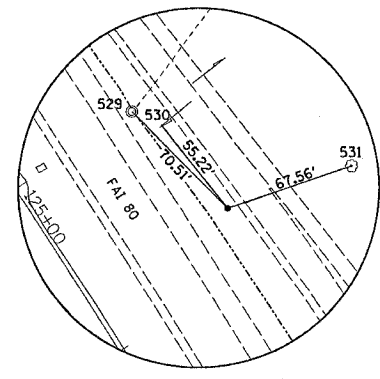
HORIZONTAL CONTROL  
POINT No. 903306



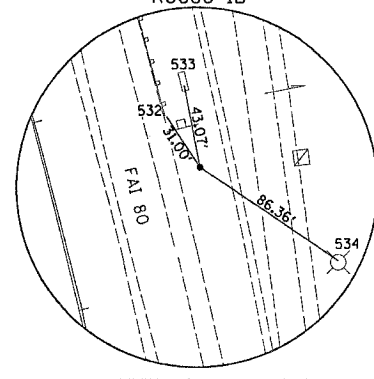
HORIZONTAL CONTROL  
POINT No. 903307



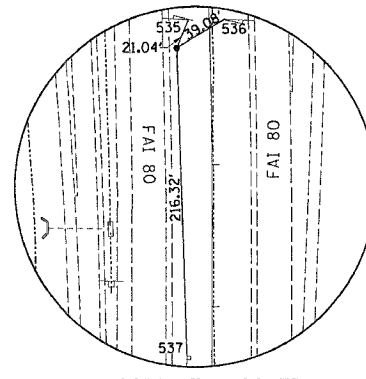
HORIZONTAL CONTROL  
POINT No. 903308



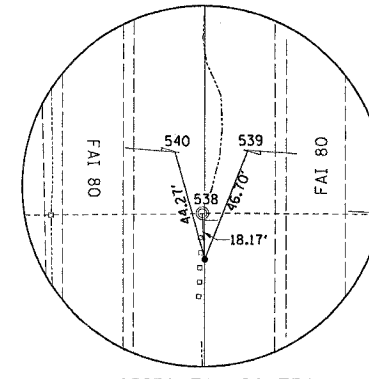
HORIZONTAL CONTROL  
POINT No. 903251



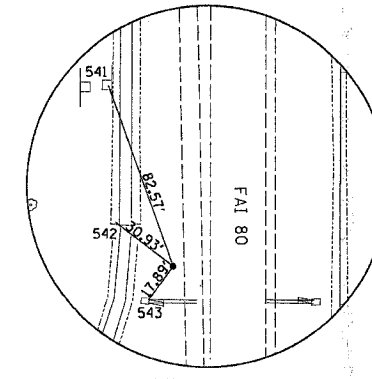
HORIZONTAL CONTROL  
POINT No. 903310



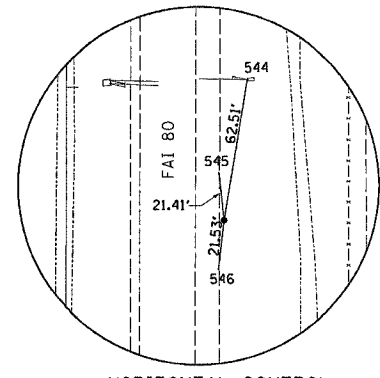
HORIZONTAL CONTROL  
POINT No. 903311



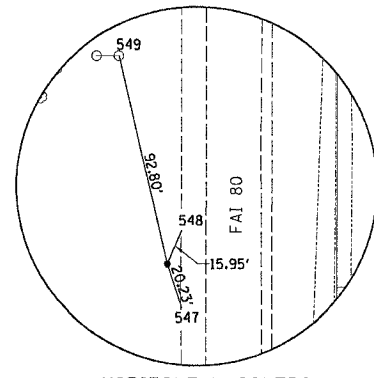
HORIZONTAL CONTROL  
POINT No. 903312



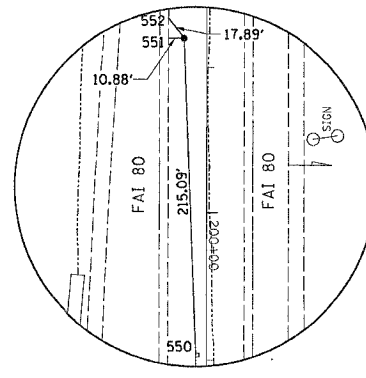
HORIZONTAL CONTROL  
POINT No. 903313



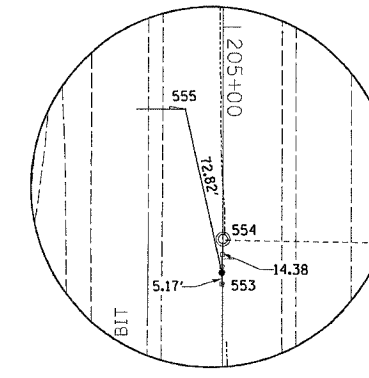
HORIZONTAL CONTROL  
POINT No. 903314



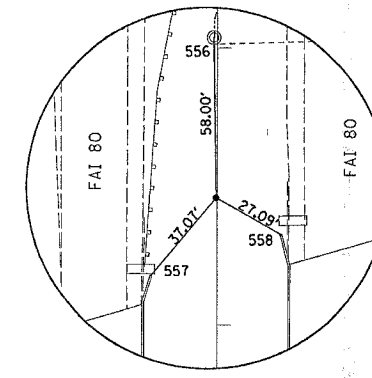
HORIZONTAL CONTROL  
POINT No. 903315



HORIZONTAL CONTROL  
POINT No. 903316



HORIZONTAL CONTROL  
POINT No. 903317



HORIZONTAL CONTROL  
POINT No. 903318

## HORIZONTAL & VERTICAL CONTROL

PLOT DATE \* Thu Dec 14 07:42:12 2006  
FILE NAME \* c:\p\projects\2006\903\488590.dgn  
PLOT SCALE \* 1/8" = 100.00'  
USER NAME \* grant