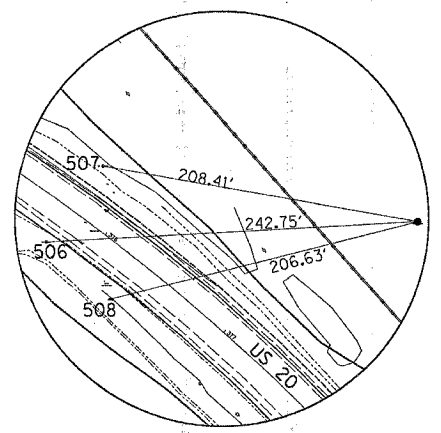
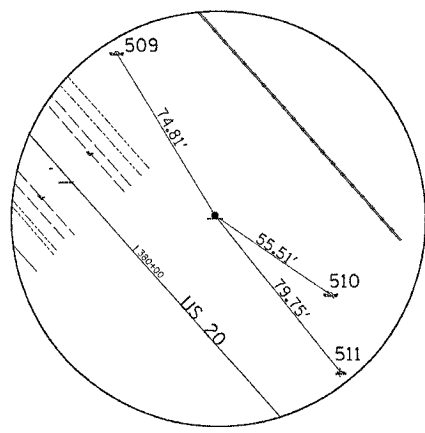
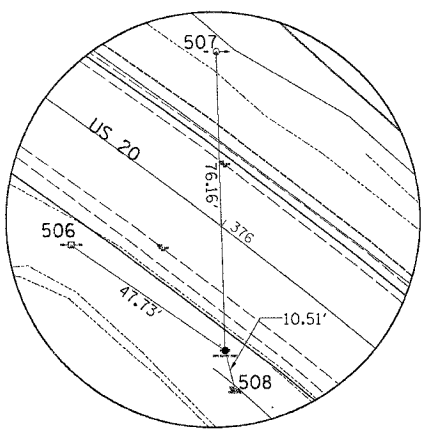
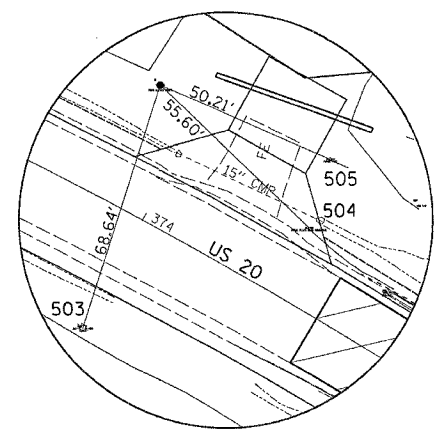
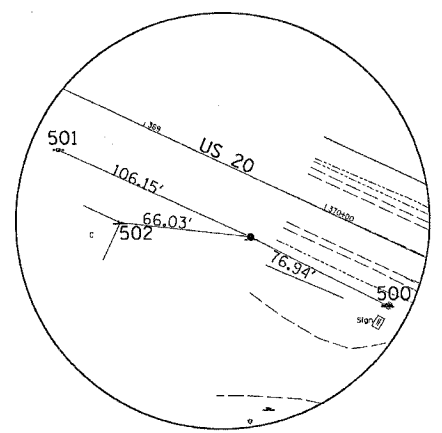


F.A.P. RTE.	SECTION	COUNTY	TOTAL SHEETS	SHEET NO.
301	21T-1	STEPHENSON	64	14
STA.		TO STA.		
FED. ROAD DIST. NO.		ILLINOIS FED. AID PROJECT		

HORIZONTAL & VERTICAL CONTROL



HORIZONTAL CONTROL POINT NO. 1 HORIZONTAL CONTROL POINT NO. 2 HORIZONTAL CONTROL POINT NO. 3 HORIZONTAL CONTROL POINT NO. 4 HORIZONTAL CONTROL POINT NO. 6

HORIZONTAL CONTROL POINTS

POINT	NORTH	EAST	ELEVATION	CHAIN	STATION	OFFSET	DESCRIPTION
1	2070325.7830	2398466.3770	915.5410	US20	369+72.12	27.4435' RT	SURVEY POINT, PIN
2	2070205.3590	2398870.0720	912.2430	US20	373+87.41	34.2128' LT	SURVEY POINT, PIN
3	2070029.5980	2399034.3170	906.4730	US20	376+20.20	24.4638' RT	SURVEY POINT, PIN
4	2069793.4570	2399348.8950	911.0090	US20	380+11.27	33.6754' LT	SURVEY POINT, PIN
5	2069672.8400	2399553.4640	922.1720	US20	382+37.31	106.5131' LT	SURVEY POINT, PIN
6	2070069.6090	2399237.3320	915.9070	US20	377+42.28	138.7107' LT	SURVEY POINT, PIN
7	2070317.6170	2399100.0730	904.7310	US20	375+14.59	247.9810' LT	SURVEY POINT, PIN
8	2070545.6740	2399404.4340	907.2820	US20	376+01.87	610.2285' LT	SURVEY POINT, PIN
9	2070732.9870	2399790.2740	910.0930	US20	377+10.66	1001.1728' LT	SURVEY POINT, PIN
10	2070423.2410	2398241.7290	920.1350	US20	367+27.32	33.1963' RT	SURVEY POINT, PK NAIL
11	2070349.2160	2398213.4030	915.5700	US20	367+32.65	112.2761' RT	SURVEY POINT, PK NAIL
90435	2072090.1750	2396769.1440	930.1750	US20	OUT OF CHAIN	-----	GPS CONTROL POINT, PIN
90442	2072908.8380	2398352.3750	916.7420	US20	OUT OF CHAIN	-----	GPS CONTROL POINT, PIN

APPARENT PROPERTY CORNERS

POINT	NORTH	EAST	ELEVATION	CHAIN	STATION	OFFSET	DESCRIPTION
700	2070239.5390	2398475.3940	913.7050	US20	370+16.48	101.9528' RT	PROPERTY CORNER, PIN
701	2070143.6060	2398474.1410	907.1430	US20	370+55.58	189.5651' RT	PROPERTY CORNER, PIN
702	2070199.3330	2398725.2140	913.0010	US20	372+60.13	33.6694' RT	PROPERTY CORNER, PIN

SURVEY WORK POINTS

POINT	NORTH	EAST	ELEVATION	CHAIN	STATION	OFFSET	DESCRIPTION
100	2069960.0950	2398764.4670	900.0570	US20	374+12.31	231.8435' RT	SURVEY POINT, NAIL
101	2070093.0020	2398936.8420	905.0810	US20	375+01.49	29.3203' RT	SURVEY POINT, NAIL
102	2070172.9690	2398940.8220	908.7420	US20	374+62.77	40.6730' LT	SURVEY POINT, NAIL
103	2070209.6840	2399004.2030	903.0400	US20	374+95.45	105.2666' LT	SURVEY POINT, CHISELED "X"

REFERENCE TIES

POINT	CHAIN	STATION	OFFSET	DESCRIPTION
500	US20	370+49.03	29.9155' RT	POWER POLE WITH TRANSFORMER, SHINER
501	US20	368+65.98	28.4917' RT	POWER POLE, SHINER
502	US20	369+09.50	48.3733' RT	COMMERCIAL BUILDING, CORNER
503	US20	373+99.52	33.3548' RT	POWER POLE, SHINER
504	US20	374+40.10	20.1748' LT	GUARDRAIL STEEL PLATE BEAM, END
505	US20	374+36.00	39.0044' LT	FENCE POST, SHINER
506	US20	375+71.55	26.6327' RT	POWER POLE, SHINER
507	US20	375+72.76	34.9746' LT	GUY POLE, SHINER
508	US20	376+28.72	30.8692' RT	FENCE POST, SHINER
509	US20	379+37.66	47.0274' LT	TELEGRAPH POLE, SHINER
510	US20	380+65.16	47.0269' LT	TELEGRAPH POLE, SHINER
511	US20	380+90.92	29.5700' LT	WARNING SIGN, SHINER

BENCH MARKS

POINT	NORTH	EAST	ELEVATION	CHAIN	STATION	OFFSET	DESCRIPTION
401	2070291.4380	2398534.9590	916.8950	US20	370+48.79	29.8561' RT	POWER POLE WITH TRANSFORMER, RAILROAD SPIKE
402	2070149.5000	2398931.5960	909.4890	US20	374+66.91	15.8144' LT	HEADWALL, CHISELED SQUARE
403	2070215.5030	2398994.2020	906.8330	US20	374+84.76	104.8475' LT	TOP OF WINGWALL, CHISELED SQUARE
404	2069697.1150	2399346.8580	912.4290	US20	380+81.95	31.8299' RT	POWER POLE, RAILROAD SPIKE

PLOT DATE = Mon Dec 11 09:11:09 2006
 PLOT NAME = V:\21105\1105\1105.dgn
 PLOT SCALE = 3/8"=1'-0"
 USER NAME = rnkash