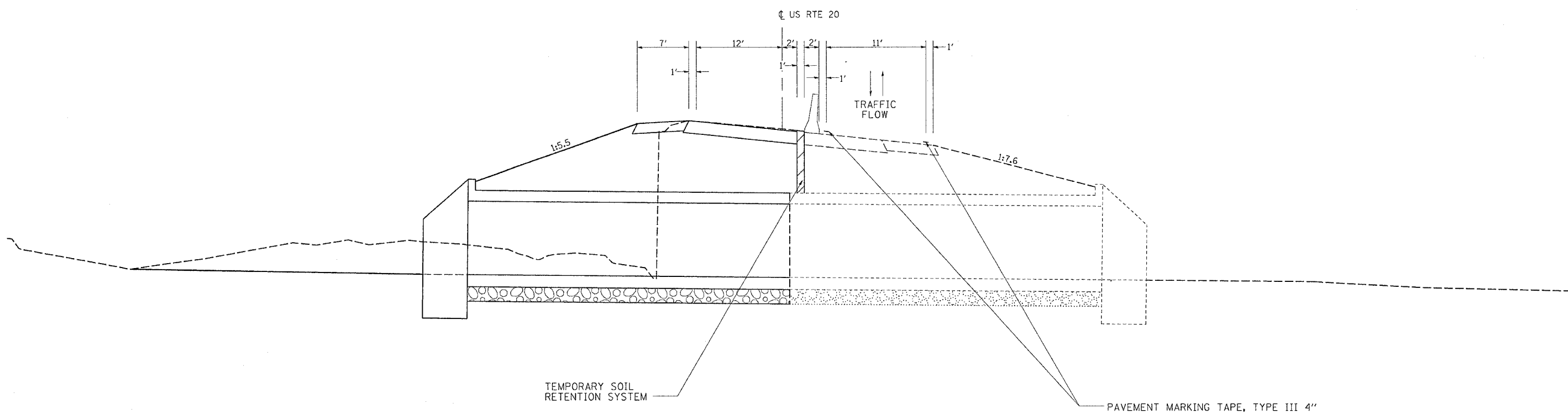


F.A.P. RTE.	SECTION	COUNTY	TOTAL SHEETS	SHEET NO.
30L	2L-1	STEPHENSON	64	16
STA.		TO STA.		
FED. ROAD DIST. NO.		ILLINOIS FED. AID PROJECT		

STAGING TYPICALS



STAGE II

Drainage Area =		436 Acres		Existing Low Grade Elevation:		908.79 ft. @ Sta 376+36.		Proposed Low Grade Elevation:		908.79 ft. @ Sta 376+36.	
Flood	Frequency Year	Discharge cfs	Waterway Opening (sq ft)	Natural H.W.E	Head (ft)	Headwater Elev. (ft)	Existing	Proposed	Existing	Proposed	
Ten-Year Design	10	236	54.7	42.6	904.35	0.07	0.21	904.42	904.56	905.85	
Base	50	364	56.6	44.5	904.51	0.11	1.34	904.62	906.34	907.78	
Max Calc	100	417	58.6	46.4	904.67	0.70	1.67	905.37	906.59	907.78	
	500	543	60.7	48.6	904.85	1.74	2.93	906.59	907.78		

10-Year Velocity through Existing Structure = 5.5 fps
 10-Year Velocity through Proposed Structure = 10.6 fps

REVISIONS		ILLINOIS DEPARTMENT OF TRANSPORTATION
NAME	DATE	

SCALE: VERT. DATE
 HORIZ. DRAWN BY CHECKED BY

STAGING TYPICALS

PLOT DATE = Tue Jan 16 10:55:52 2007
 FILE NAME = c:\projects\64b48\1105\vd1105.dgn
 USER NAME = rnkakaj