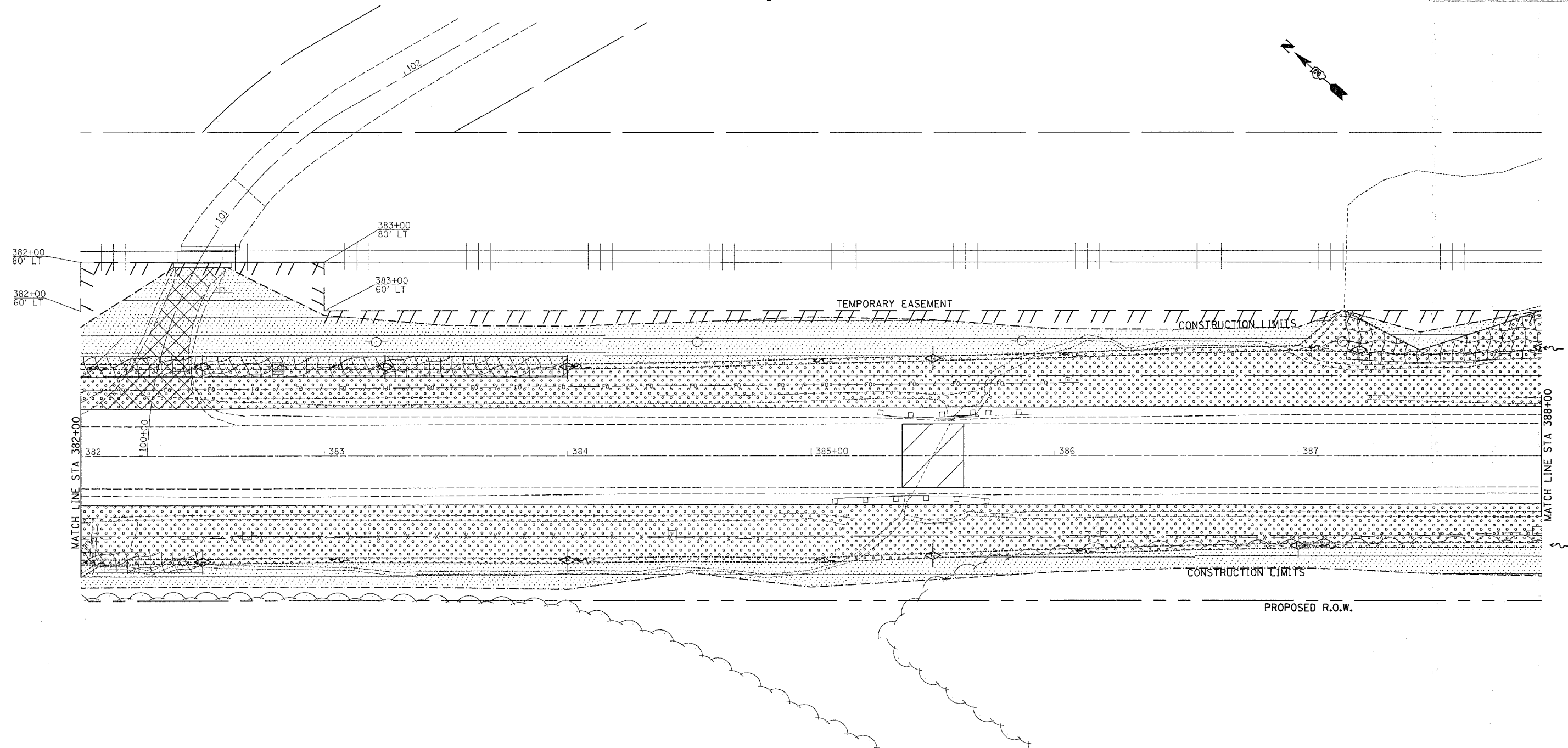

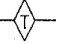
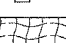
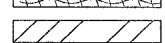

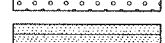



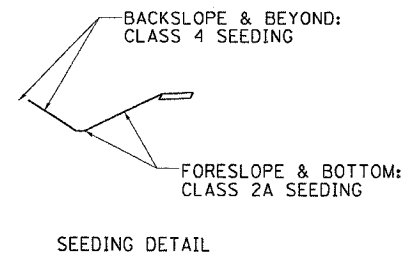
# R.O.W. & EASEMENT, EROSION CONTROL

F.A. RTE.	SECTION	COUNTY	TOTAL SHEETS	SHEET NO.
301	21T-1	STEPHENSON	64	34
STA. 382+00		TO STA. 388+00		
FED. ROAD DIST. NO.		ILLINOIS FED. AID PROJECT		



**LEGEND**

-  INLET PROTECTION STD 280001
-  TEMPORARY DITCH CHECK
-  PERIMETER EROSION BARRIER
-  EROSION CONTROL BLANKET
-  TURF REINFORCEMENT MAT
-  CLASS 2A SEEDING
-  CLASS 4 SEEDING



REVISIONS	
NAME	DATE

ILLINOIS DEPARTMENT OF TRANSPORTATION

SCALE: VERT. \_\_\_\_\_  
 DATE: \_\_\_\_\_

DRAWN BY \_\_\_\_\_  
 CHECKED BY \_\_\_\_\_

PLT DATE = Mon Dec 11 09:21:58 2006  
 PLT SCALE = 20.00000 / IN  
 USER NAME = renkaal