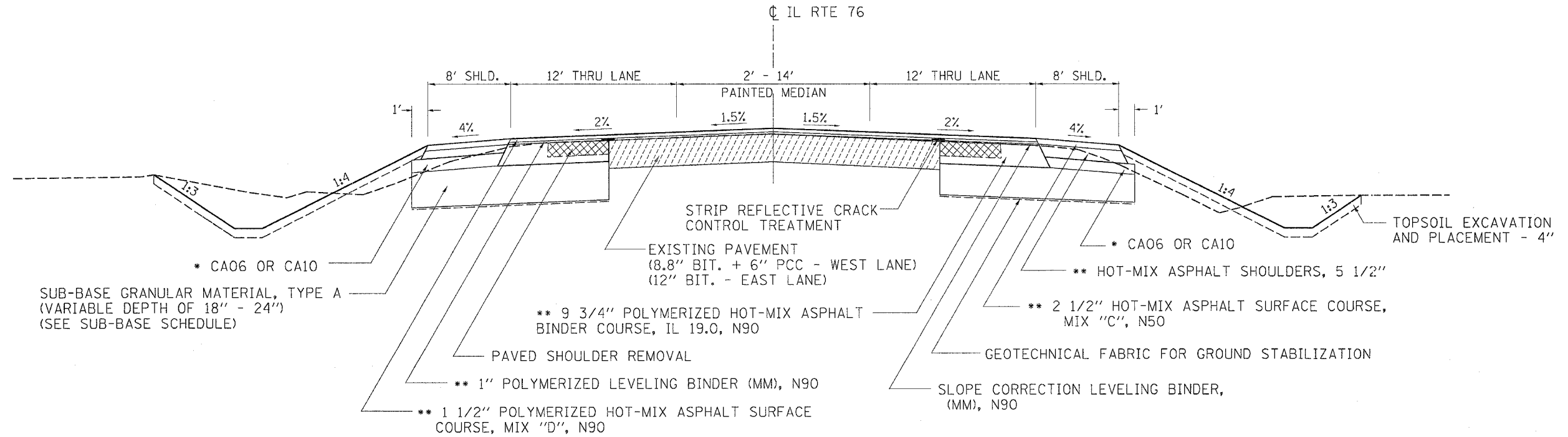


F.A.P. RTE.	SECTION	COUNTY	TOTAL SHEETS	SHEET NO.
754	101M&TS	BOONE	95	10
STA.		TO STA.		
FED. ROAD DIST. NO.		ILLINOIS	FED. AID PROJECT	
*(IL 76)				

IL 76

STA. 44+73.86 TO STA. 48+07.00
 STA. 59+65.00 TO STA. 63+07.56



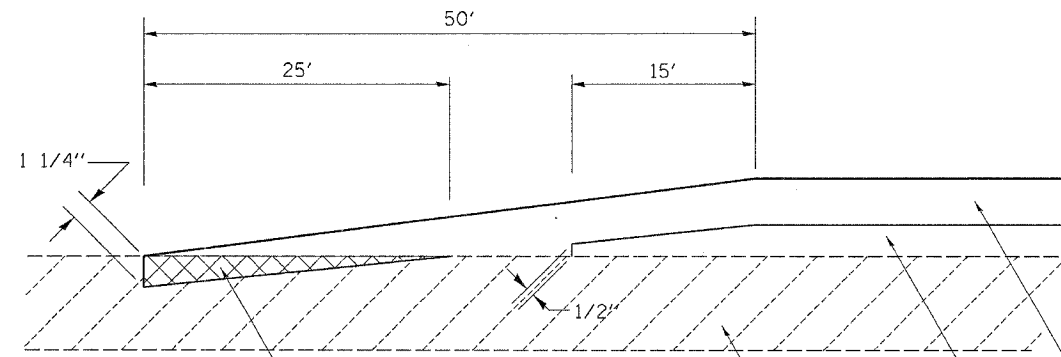
TYPICAL TAPER BUTT JOINT

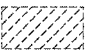

IL 76

STA. 44+23.86 - STA. 44+73.86
 STA. 63+07.56 - STA. 63+57.56

SQUAW PRAIRIE ROAD (SPR)

STA. 229+89.48 - STA. 230+39.48
 STA. 246+39.00 - STA. 246+89.00



 EXISTING
 REMOVAL

NOTES:

- * INCLUDED IN THE COST OF SUB-BASE GRANULAR MATERIAL, TYPE A (VAR. DEPTH OF 18"-24")
- ** RATE OF APPLICATION = 112 LB/SQ YD/IN

- ** 1 1/2" POLYMERIZED HOT-MIX ASPHALT SURFACE COURSE, MIX "D", N90 (IL RTE 76)
- ** 1 1/2" HOT-MIX ASPHALT SURFACE COURSE, MIX "D", N50 (SPR)

PLOT DATE = Thu Dec 07 15:45:03 2006
 FILE NAME = c:\pwork\sect\1228186\64b81.dgn
 PLOT SCALE = 50.0000 / 1 IN.
 USER NAME = polzrnmj