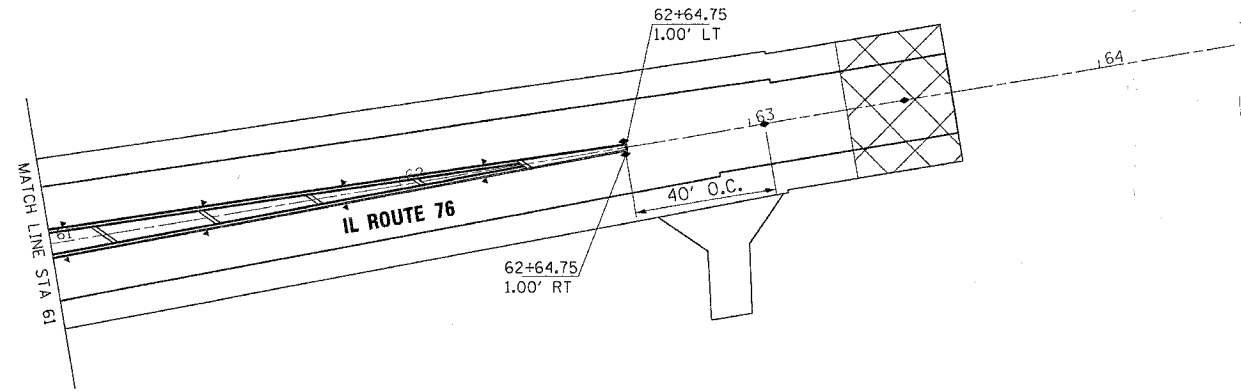
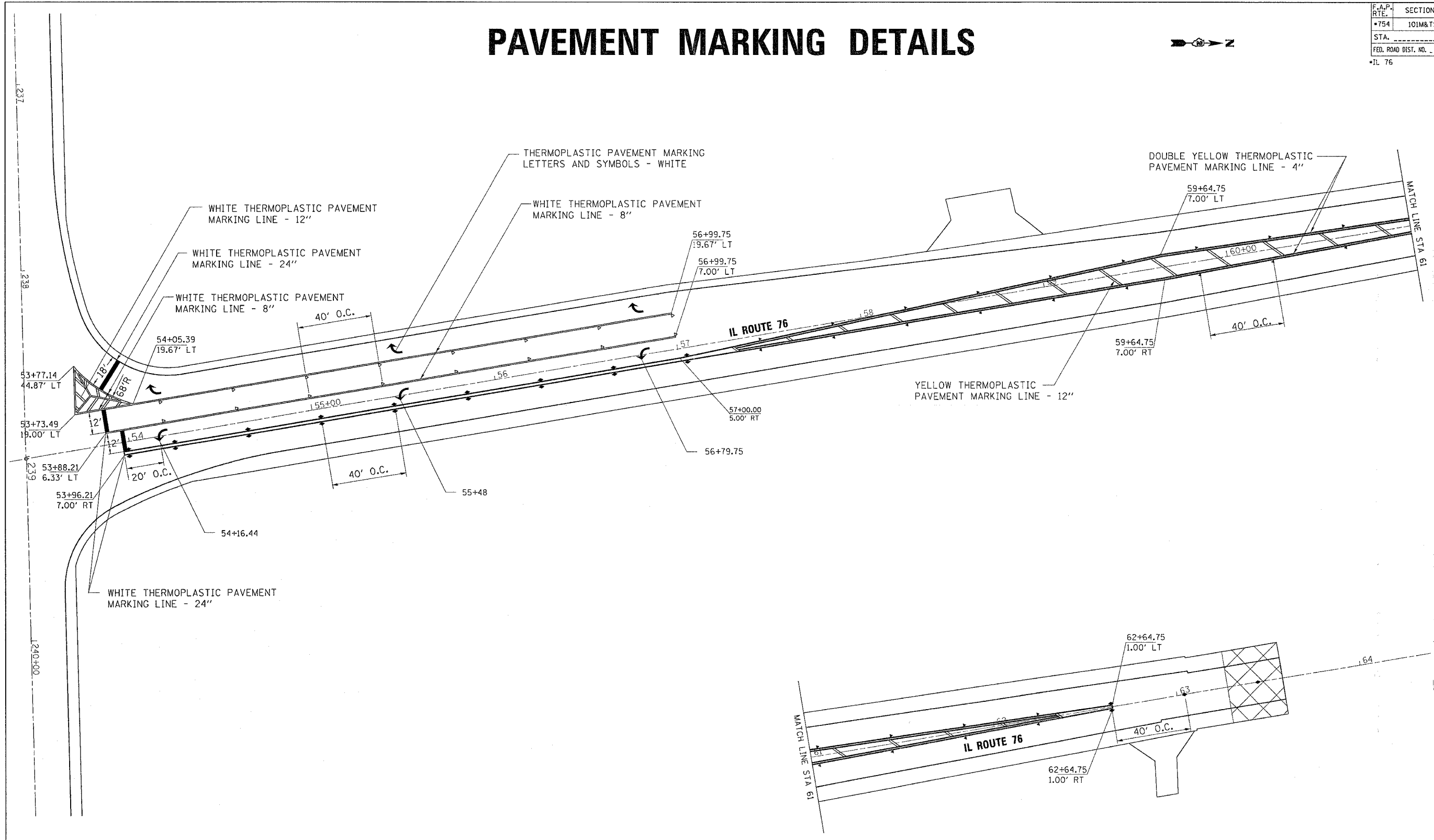


F.A.P. RTE.	SECTION	COUNTY	TOTAL SHEETS	SHEET NO.
754	101M&TS	BOONE	95	38
STA. _____		TO STA. _____		
FED. ROAD DIST. NO. _____		ILLINOIS FED. AID PROJECT		
•IL 76				

PAVEMENT MARKING DETAILS



- ◁ ONE-WAY CRYSTAL MARKER
- ◄ ONE-WAY AMBER MARKER
- ◆ TWO-WAY AMBER MARKER

PLOT DATE = Fri Dec 08 13:05:05 2006
 FILE NAME = c:\projects\12200105\101m&ts\101m&ts.dgn
 PLOT SCALE = 1/8" = 1'-0"
 REFERENCE = 48654