

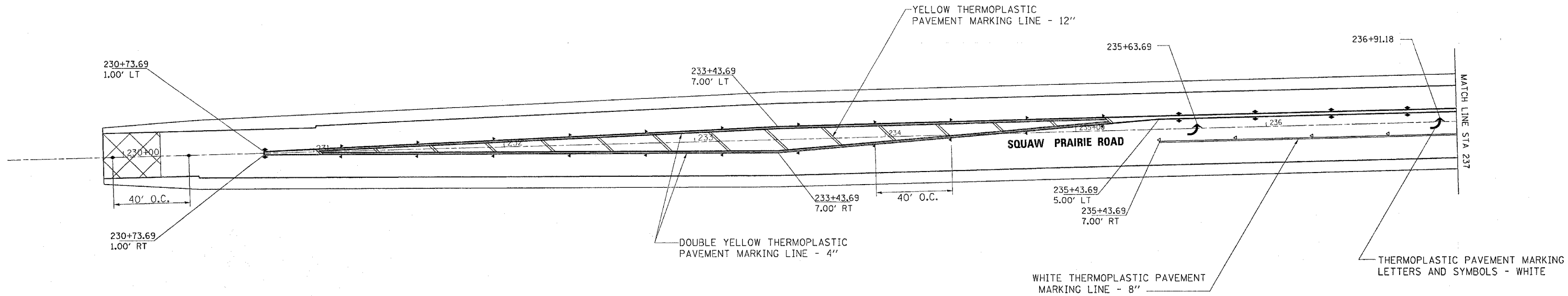
F.A.P. RTE.	SECTION	COUNTY	TOTAL SHEETS	SHEET NO.
*754	101M&T5	BOONE	95	39

STA. _____ TO STA. _____

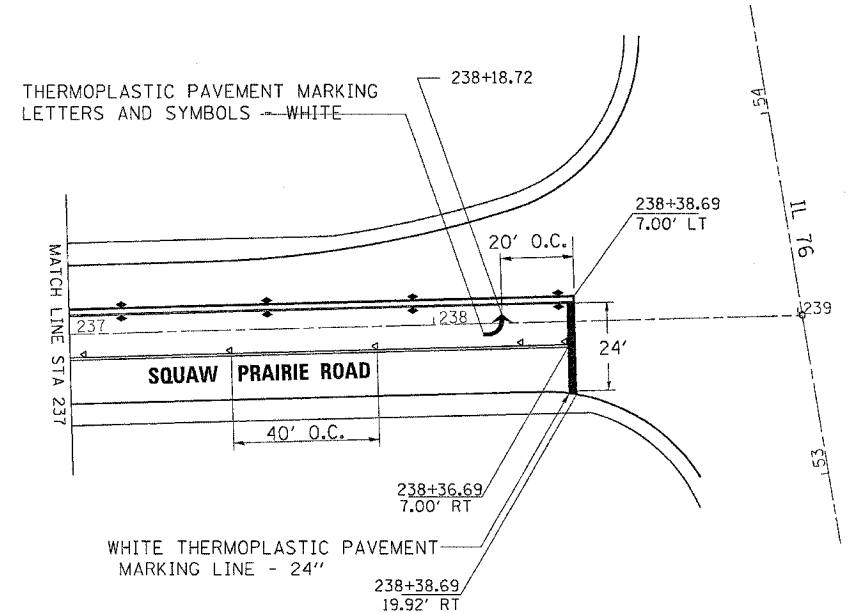
FED. ROAD DIST. NO. ILLINOIS FED. AID PROJECT

*IL 76

PAVEMENT MARKING DETAILS



K-B FARMS INC.



- ◁ ONE-WAY CRYSTAL MARKER
- ◄ ONE-WAY AMBER MARKER
- ◆ TWO-WAY AMBER MARKER

PLOT DATE = Fri, Dec 09, 13:09:08, 2005
 FILE NAME = c:\nrc\meta\2005\106\106.dgn
 PLOT SCALE = 50.0000' / IN.
 REFERENCE = #REF#