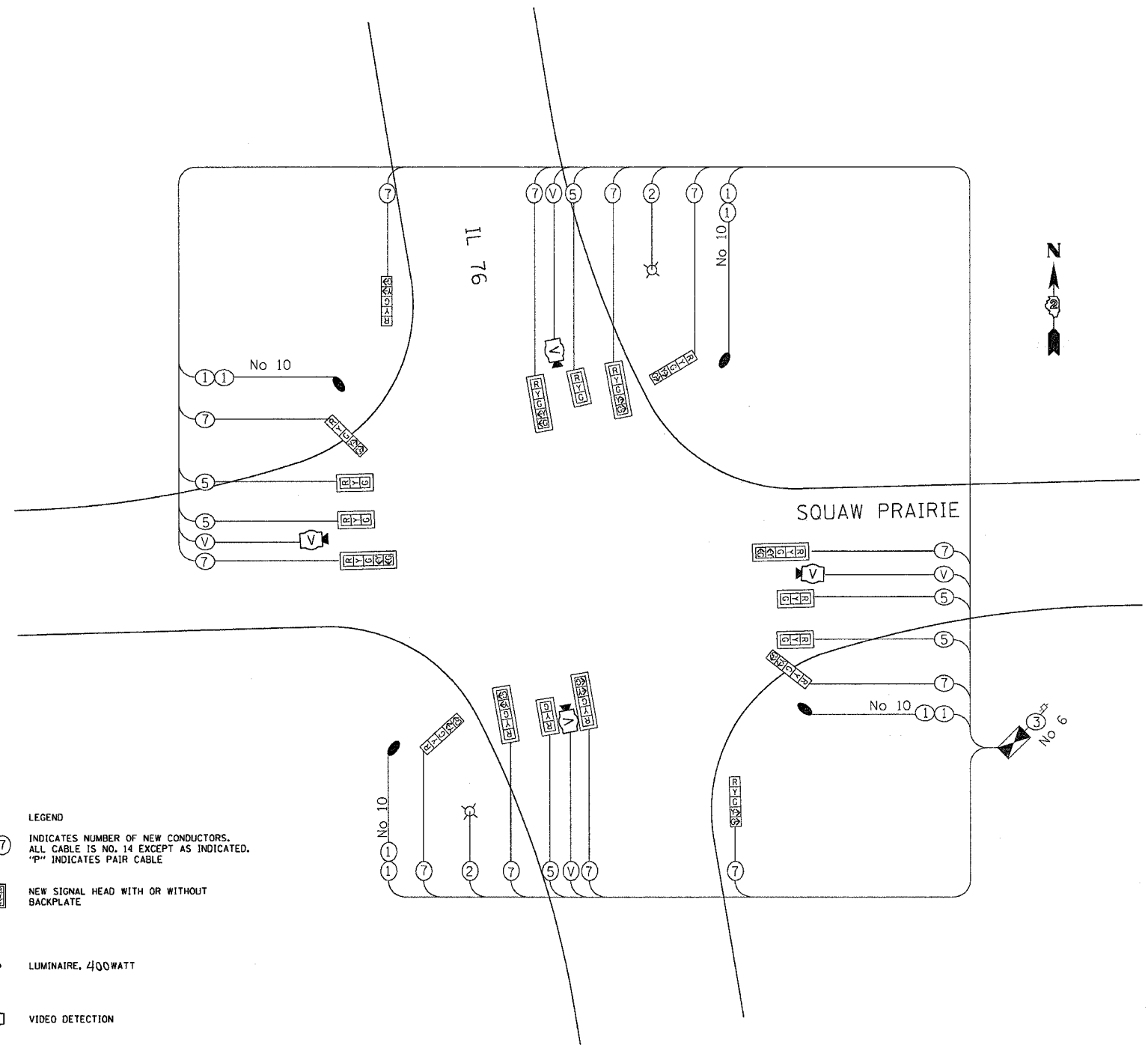


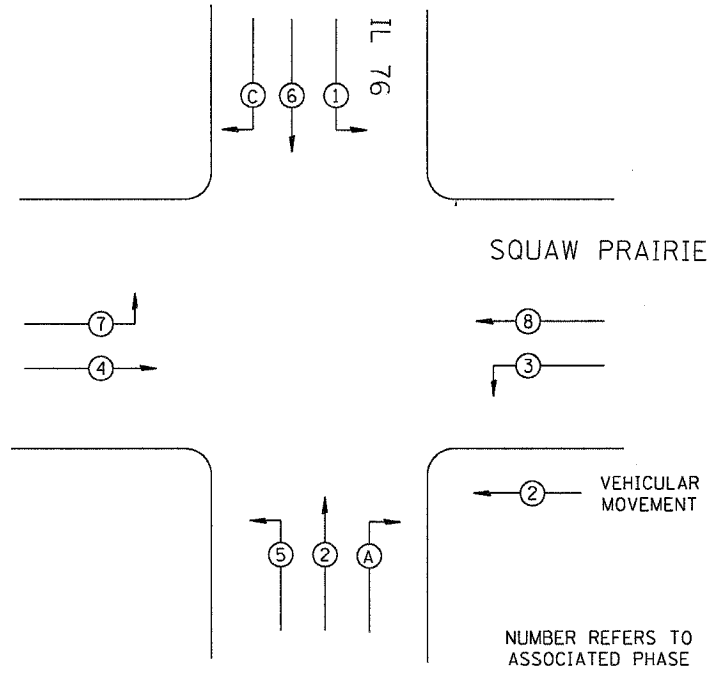
F.A.P. RTE.	SECTION	COUNTY	TOTAL SHEETS	SHEET NO.
754	101M&TS	BOONE	95	44
STA. _____		TO STA. _____		
FED. ROAD DIST. NO. _____		ILLINOIS FED. AID PROJECT _____		

TRAFFIC SIGNAL PLANS



- LEGEND**
- ⑦ INDICATES NUMBER OF NEW CONDUCTORS. ALL CABLE IS NO. 14 EXCEPT AS INDICATED. "P" INDICATES PAIR CABLE
 - [Signal Head Symbol] NEW SIGNAL HEAD WITH OR WITHOUT BACKPLATE
 - LUMINAIRE, 400WATT
 - [V Symbol] VIDEO DETECTION

PHASE DESIGNATION DIAGRAM



DETECTOR ASSIGNMENT

DETECTOR	PHASE NO.	DIRECTION
A	6	SB FAR ADVANCE
B	6	SB MID ADVANCE
C	6	SB PRESENT
D	1	SB LEFT TURN
E	2	NB FAR ADVANCE
F	2	NB MID ADVANCE
G	2	NB PRESENT
H	5	NB LEFT TURN
I	8	WB FAR ADVANCE
J	8	WB MID ADVANCE
K	8	WB PRESENT
L	3	WB LEFT TURN
M	4	EB FAR ADVANCE
N	4	EB MID ADVANCE
O	4	EB PRESENT
P	7	EB LEFT TURN

PLOT DATE = Fri Dec 08 11:49:45 2006
 FILE NAME = c:\p\projects\2260186\2260186.dwg
 PLOT SCALE = 26.00000 / 1 IN.
 USER NAME = poltrng

REVISIONS	
NAME	DATE

ILLINOIS DEPARTMENT OF TRANSPORTATION

F.A.P. ROUTE 754 (IL 76)

SECTION 101M&TS

BOONE COUNTY

SCALE: VERT. _____
 HORIZ. _____

DATE _____ DRAWN BY _____
 CHECKED BY _____