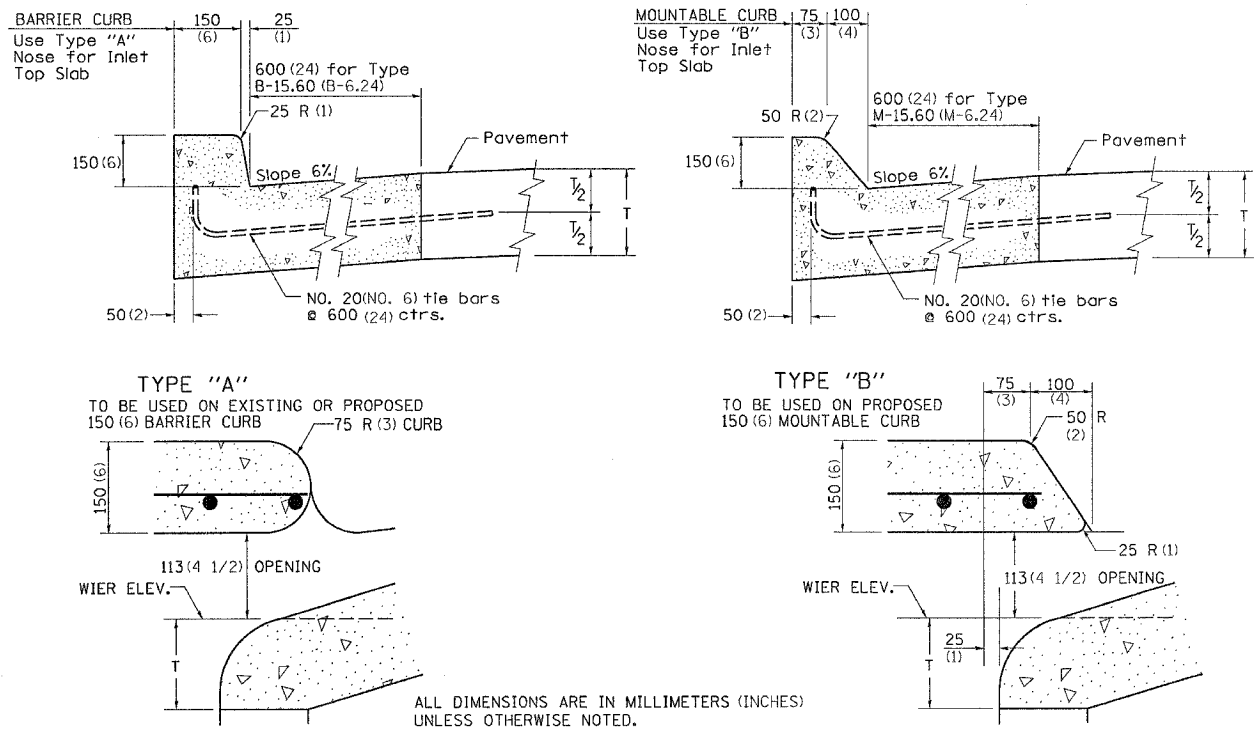


F.A.P. RTE.	SECTION	COUNTY	TOTAL SHEETS	SHEET NO.
+754	101M&T5	BOONE	95	62
STA.		TO STA.		
FED. ROAD DIST. NO.		ILLINOIS FED. AID PROJECT		

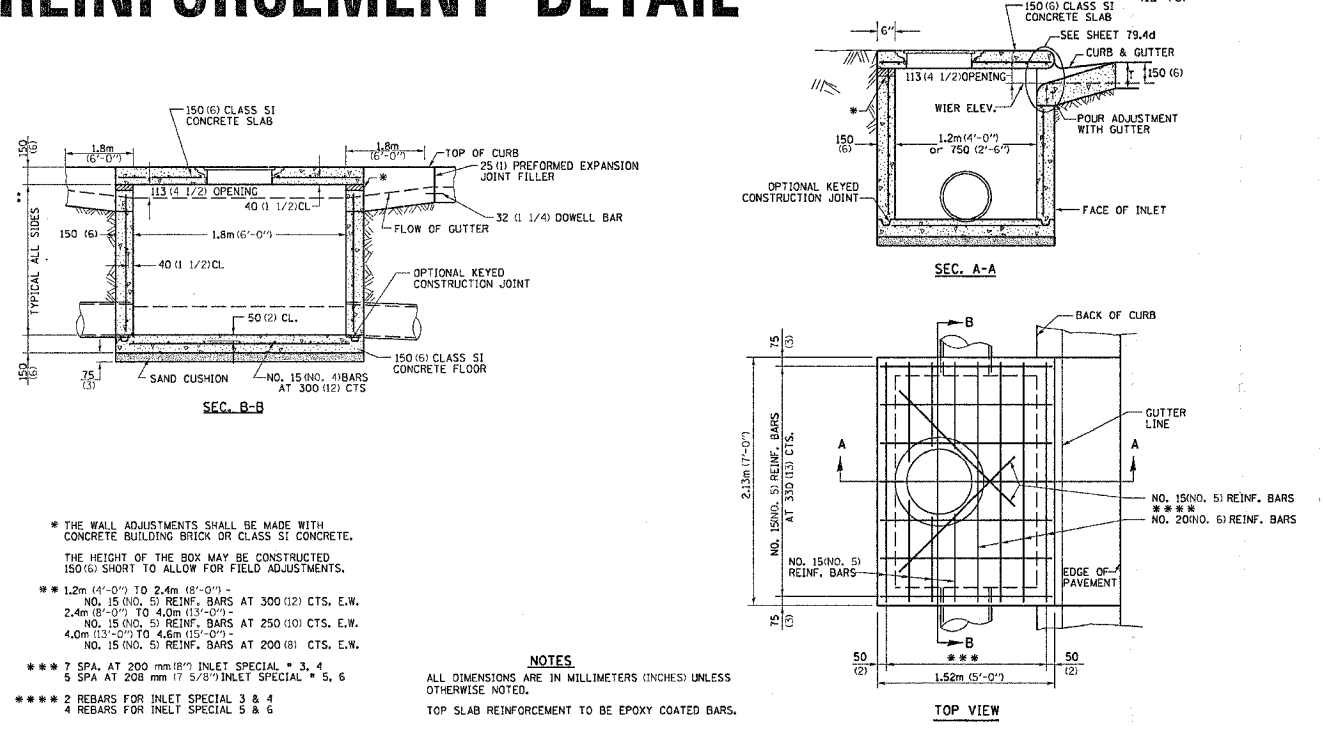
NOSE TYPE FOR INLET TOP SLAB



NOSE TYPE FOR INLET TOP SLAB 79.4d

REVISED 2-14-95

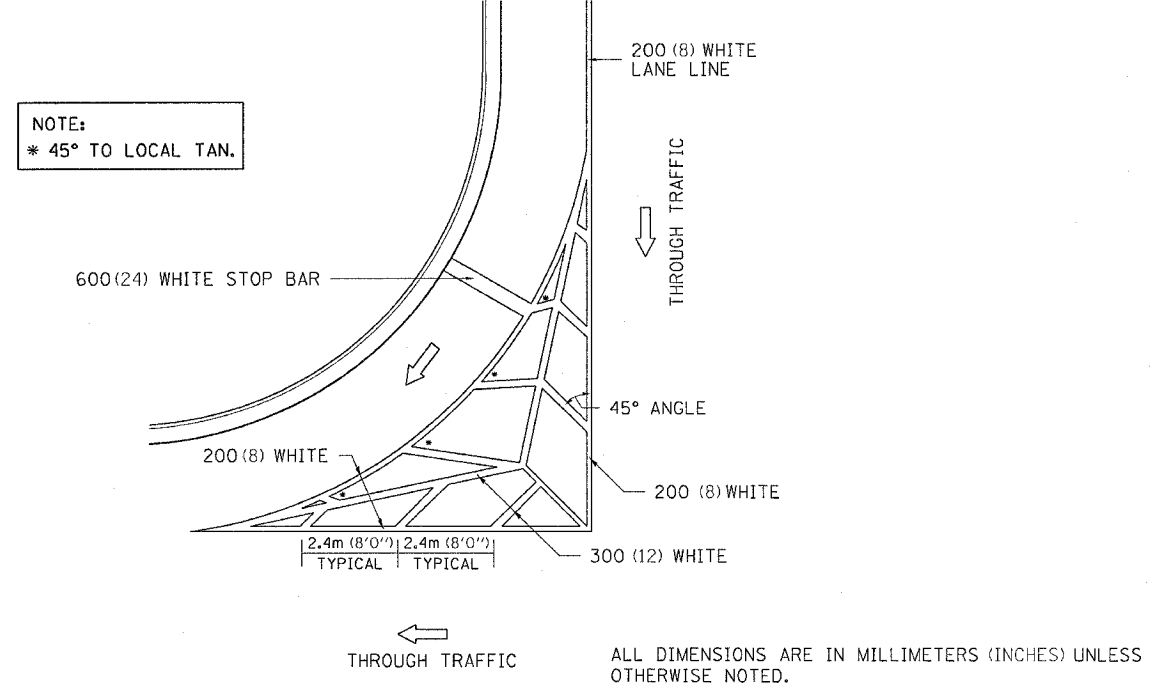
INLET SPECIAL NO. 3, 4, 5, 6 REINFORCEMENT DETAIL



INLET SPECIAL NO. 3, 4, 5, 6 REINFORCEMENT DETAIL 79.4e

REVISED 4-4-05

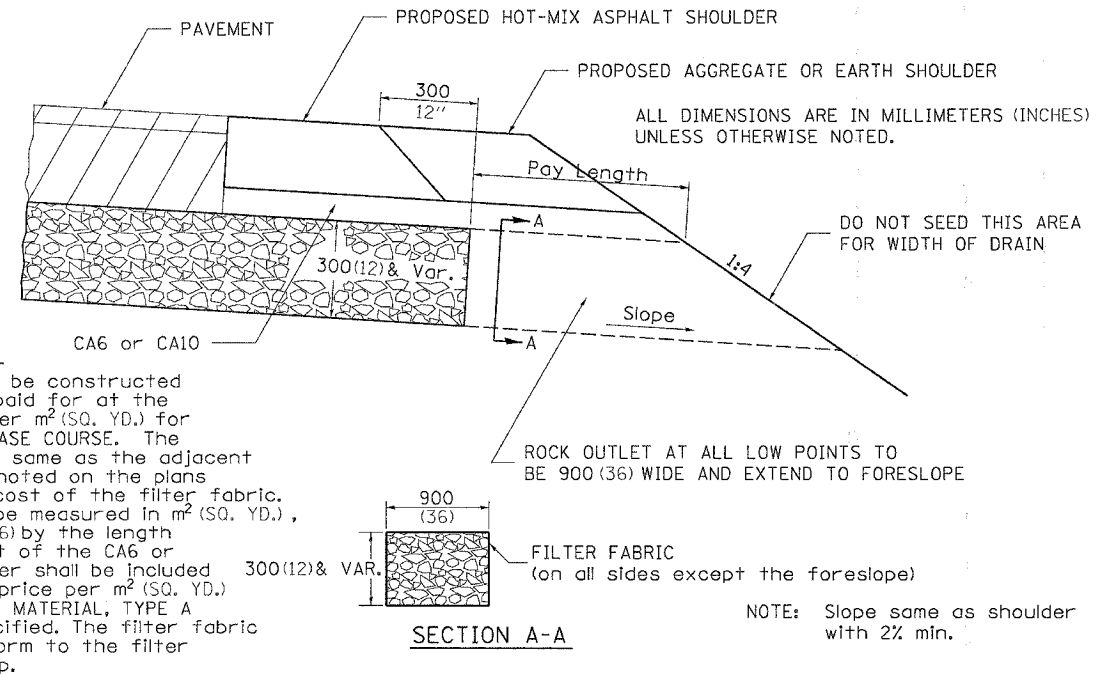
TYPICAL MARKING FOR PAINTED ISLANDS



TYPICAL MARKING FOR PAINTED ISLANDS 93.4

REVISED 2-7-05

DRAIN FOR AGGREGATE BASE COURSE



NOTES:
The rock outlets shall be constructed using CA7 and will be paid for at the contract unit price per m² (SQ. YD.) for DRAIN FOR AGGREGATE BASE COURSE. The thickness shall be the same as the adjacent sub-base material as noted on the plans and shall include the cost of the filter fabric. The Rock outlets will be measured in m² (SQ. YD.), the width being 900 (36) by the length shown above. The cost of the CA6 or CA10 under the shoulder shall be included in the contract unit price per m² (SQ. YD.) for SUB-BASE GRANULAR MATERIAL, TYPE A of the thickness specified. The filter fabric to be used shall conform to the filter fabric used for Riprap.

DRAIN FOR AGGREGATE BASE COURSE 96.4

REVISED 10-10-06

PLOT DATE = Fri Dec 08 13:22:23 2005
 FILE NAME = c:\projects\10260105\vd0108\esp1.dgn
 PLOT SCALE = 1:1
 REFERENCE = AREFA