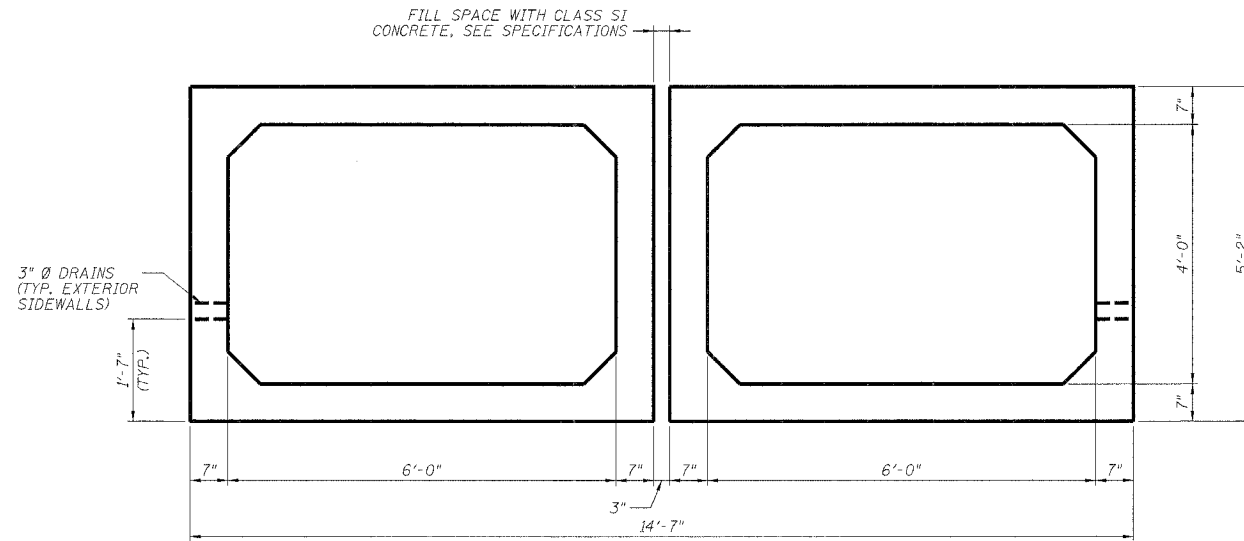


STATE OF ILLINOIS  
DEPARTMENT OF TRANSPORTATION

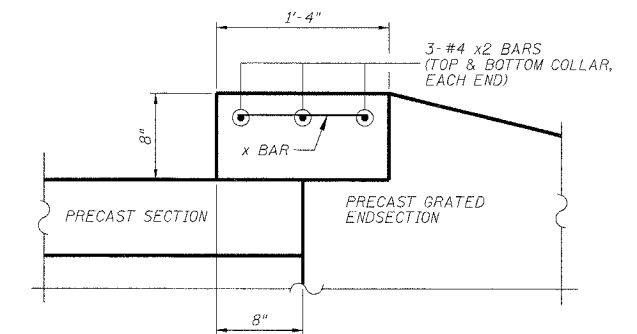
ROUTE NO.	SECTION	COUNTY	SHEETS	SHEET	SHEET NO.
F.A.P. 545	114T-1	CARROLL	118	34	02
FED. ROAD DIST. NO. 2		ILLINOIS		FED. AID PROJECT	

Contract # 64031

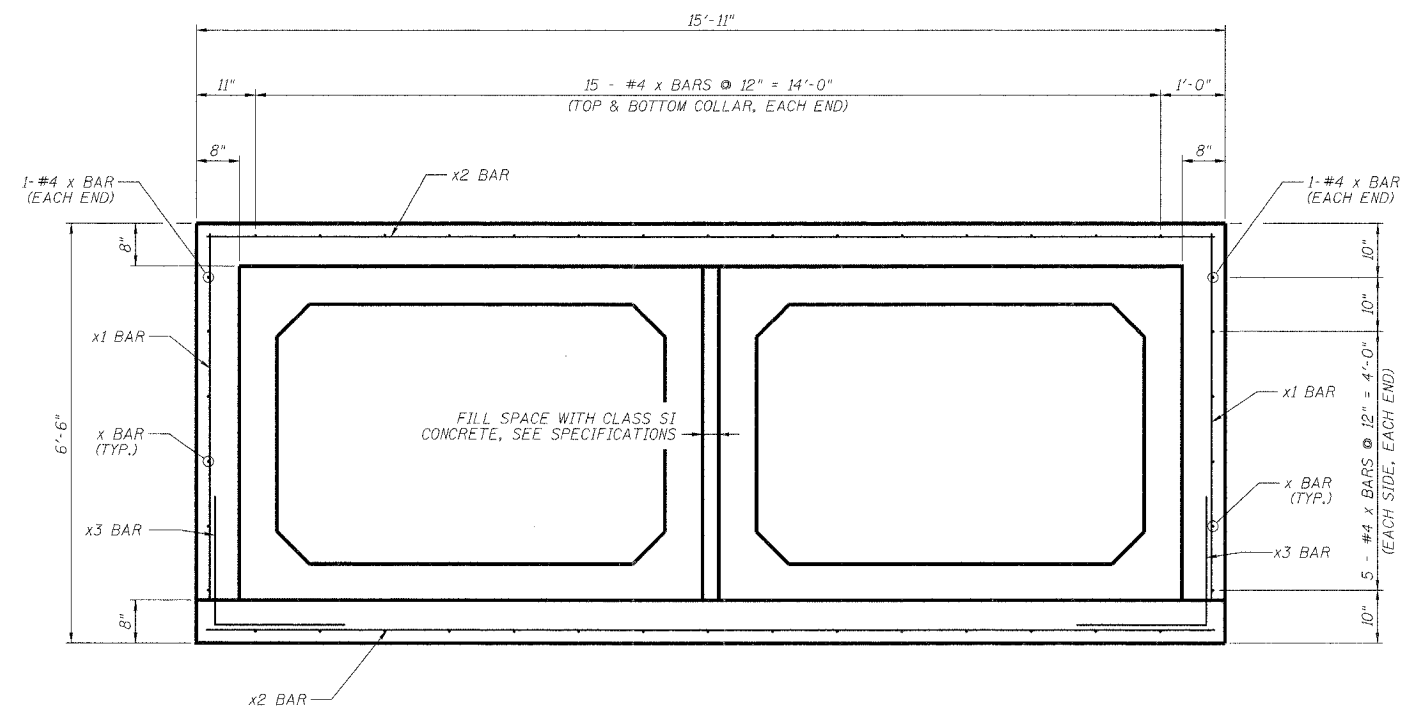
05 SHEETS



PRECAST TYPICAL SECTION



COLLAR DETAIL



CONNECTION COLLAR SECTION

DESIGNED -	ASP
CHECKED -	WSP
DRAWN -	BGC
CHECKED -	ASP

EXAMINED	200
PASSED	ENGINEER OF BRIDGE DESIGN
	ENGINEER OF BRIDGES AND STRUCTURES

TYPICAL SECTIONS  
F.A.P. 545 (IL. RTE. 72)  
SECTION 114T-1  
CARROLL COUNTY  
STATION 313+79.80  
STRUCTURE NO. 008-1092