

STATE OF ILLINOIS
DEPARTMENT OF TRANSPORTATION

ROUTE NO.	SECTION	COUNTY	SHEETS	SHEET	SHEET NO. 03 05 SHEETS
F.A.P. 545	114T-1	CARROLL	118	35	
FED. ROAD DIST. NO.		DISTRICT	FED. AID PROJECT		

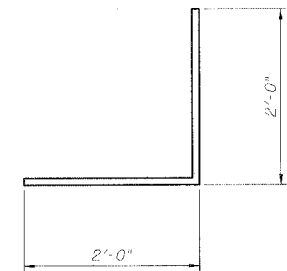
Contract # 64C31

*** CONNECTION COLLAR
BILL OF MATERIAL**

Bar	No.	Size	Length	Shape
x	84	4	1'-0"	
x1	12	4	5'-8"	
x2	12	4	15'-7"	
x3	12	4	4'-0"	

CONCRETE STRUCTURES	CU. YD.	2.8
REINFORCEMENT BARS	POUND	265

* FOR INFORMATIONAL PURPOSES ONLY.
COST TO BE INCLUDED IN THE BID ITEM
"PRECAST CONCRETE BOX CULVERT 6'x4'



BAR x3

**** BOX CULVERT END SECTIONS NO. 1
BILL OF MATERIAL**

ITEM	UNIT	QUANTITY
3 1/2" Ø GALV. STEEL PIPE	EACH	2 @ 19'-5"
		4 @ 7'-4"
1/2" x 4" x 14" GALV. ANCHOR PLATE	EACH	8
5/8" Ø x 9" GALV. BOLTS	EACH	8
1/2" Ø GALV. EXP. BOLTS	EACH	16
9" SQ. OR ROUND 1/2" GALV. PLATE	EACH	8
GALV. STEEL PIPE CAPS	EACH	12

** QUANTITIES GIVEN ARE FOR EACH BOX CULVERT END SECTION. FOR INFORMATIONAL PURPOSES ONLY. COST TO BE INCLUDED IN THE BID ITEM "BOX CULVERT END SECTIONS NO. 1"

GENERAL NOTES

STEEL PIPES SHALL CONFORM TO A.S.T.M. A-53 (TYPE E OR S) GRADE B, SCHEDULE 40, & SHALL BE GALVANIZED CONFORMING TO A.S.T.M. A-120.

STEEL PLATES SHALL CONFORM TO AASHTO M-183 & SHALL BE GALVANIZED CONFORMING TO AASHTO M-111.

BOLTS, NUTS, AND WASHERS SHALL BE IN ACCORDANCE WITH ARTICLE 1006.08 OF THE STANDARD SPECIFICATIONS AND SHALL BE GALVANIZED.

THE CONTRACT UNIT PRICE "EACH" FOR BOX CULVERT END SECTION NO. 1 SHALL INCLUDE THE EXPANSION BOLTS, GALVANIZED PIPES, CLASS SI CONCRETE, BOLTS, NUTS, REINFORCEMENT, WASHERS, AND STEEL PLATES.

BOX CULVERT END SECTIONS NO. 1

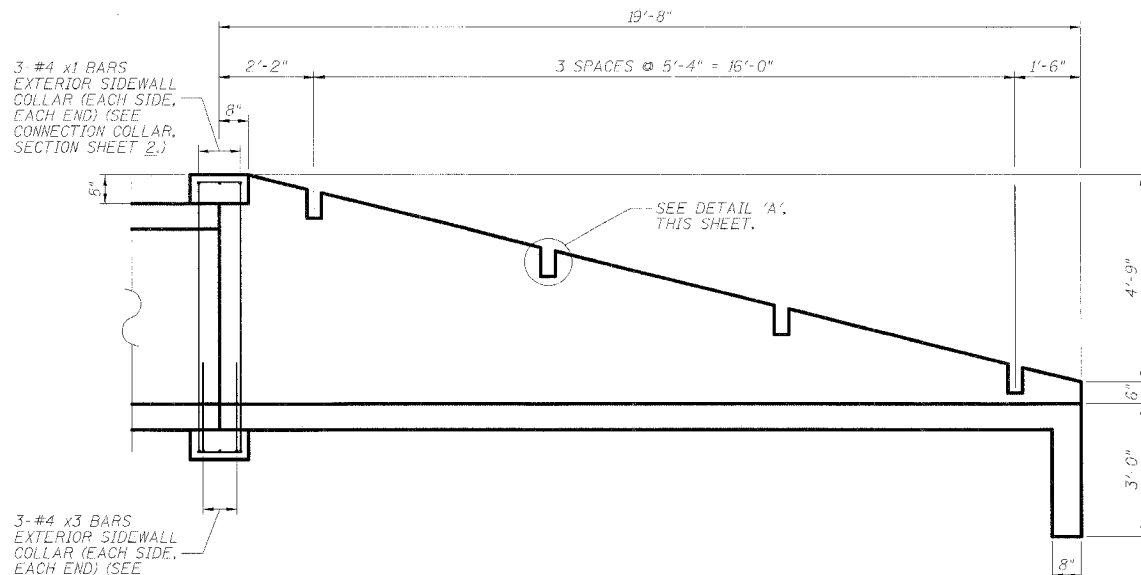
F.A.P. 545 (IL. RTE. 72)

SECTION 114T-1

CARROLL COUNTY

STATION 313+79.80

STRUCTURE NO. 008-1092



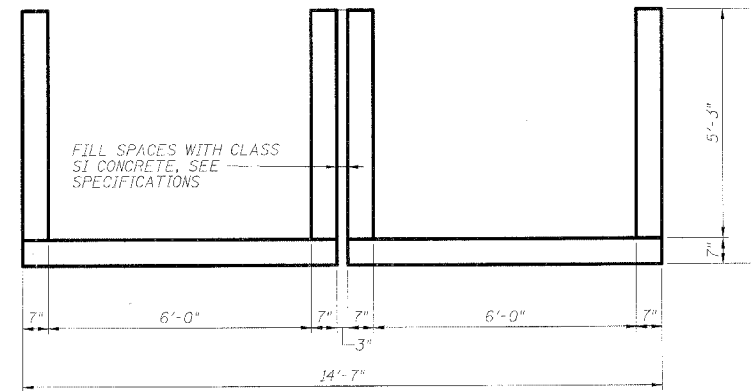
INLET/OUTLET ELEVATION

(2 END SECTIONS, EACH END)
(4 TOTAL)

3-#4 x1 BARS
EXTERIOR SIDEWALL
COLLAR (EACH SIDE,
EACH END) (SEE
CONNECTION COLLAR,
SECTION SHEET 2.)

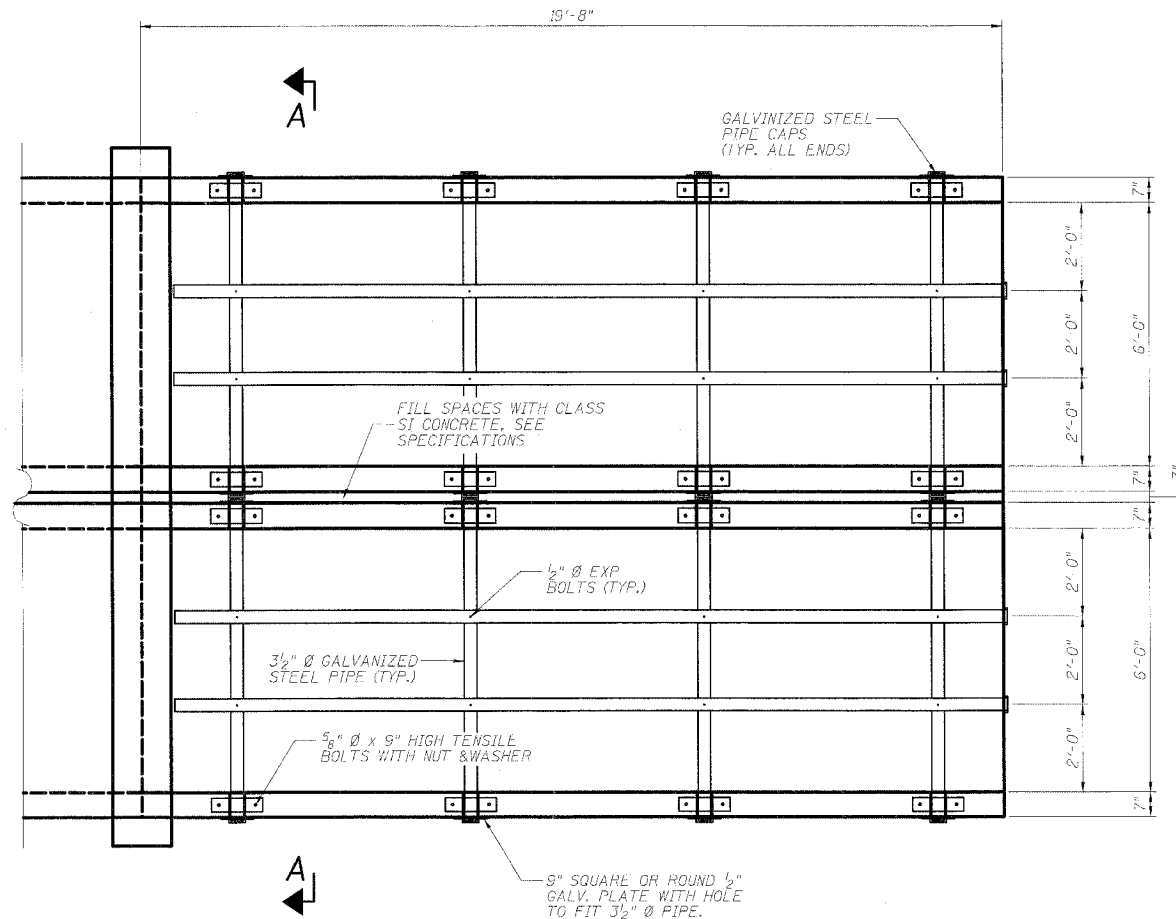
3-#4 x3 BARS
EXTERIOR SIDEWALL
COLLAR (EACH SIDE,
EACH END) (SEE
CONNECTION COLLAR,
SECTION SHEET 2.)

SEE DETAIL 'A'.
THIS SHEET.



SECTION A-A

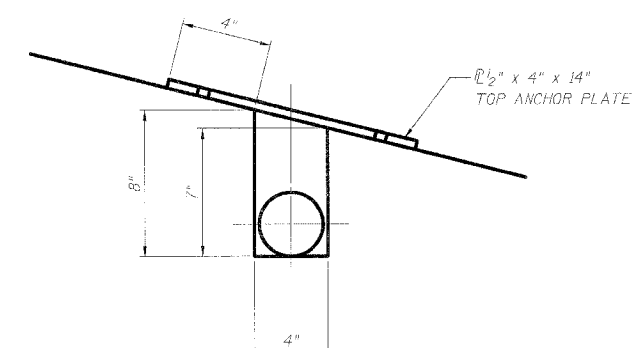
FILL SPACES WITH CLASS
SI CONCRETE, SEE
SPECIFICATIONS



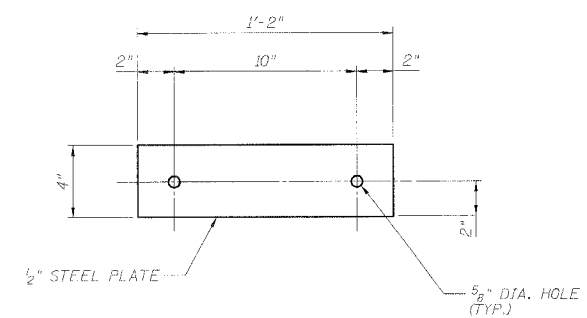
INLET/OUTLET PLAN

(2 END SECTIONS, EACH END)
(4 TOTAL)

DESIGNED - ASP	EXAMINED - _____	200
CHECKED - WSP	ENGINEER OF BRIDGE DESIGN	
DRAWN - BGC	PASSED - _____	
CHECKED - ASP	ENGINEER OF BRIDGES AND STRUCTURES	



DETAIL 'A'



TOP ANCHOR PLATE

(8 EACH SECTION)
(32 TOTAL)