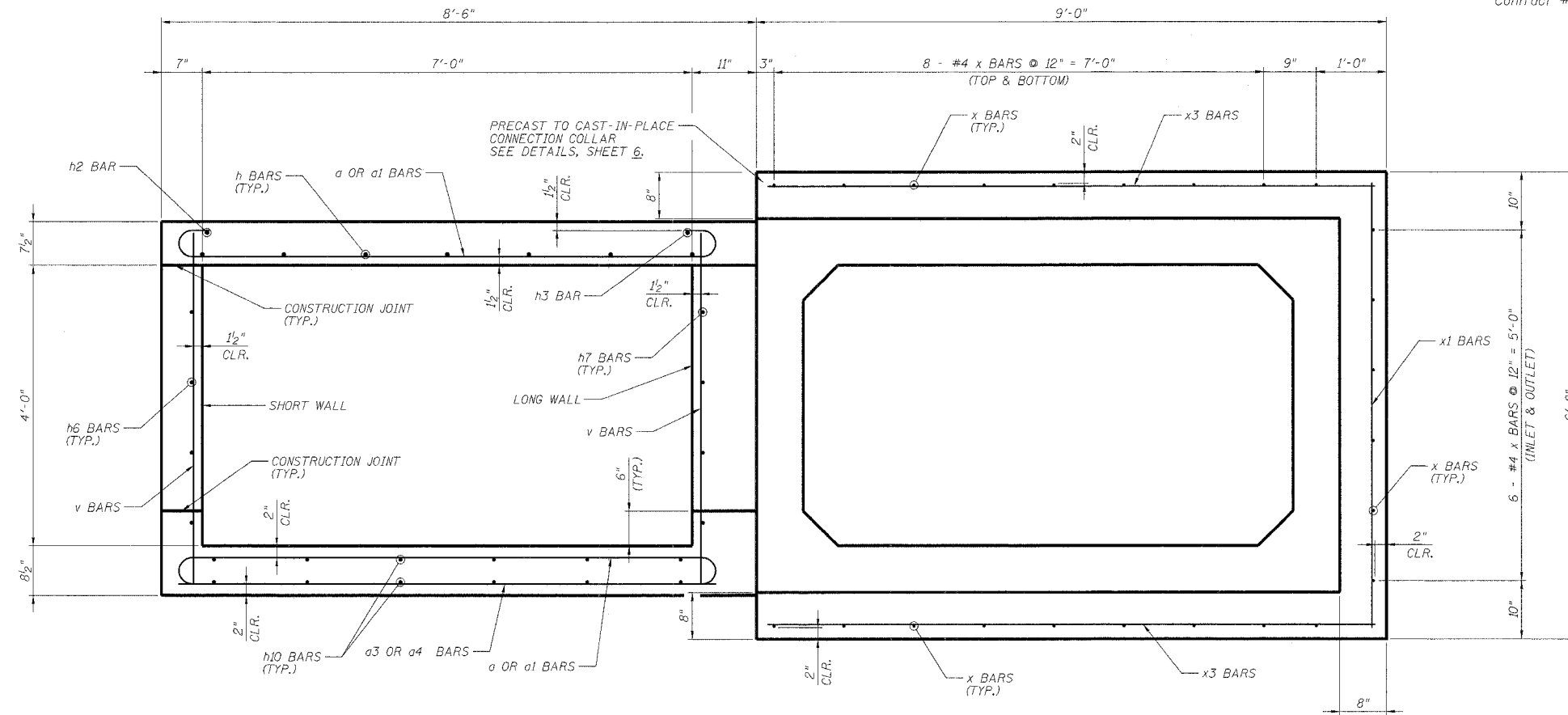


STATE OF ILLINOIS
DEPARTMENT OF TRANSPORTATION

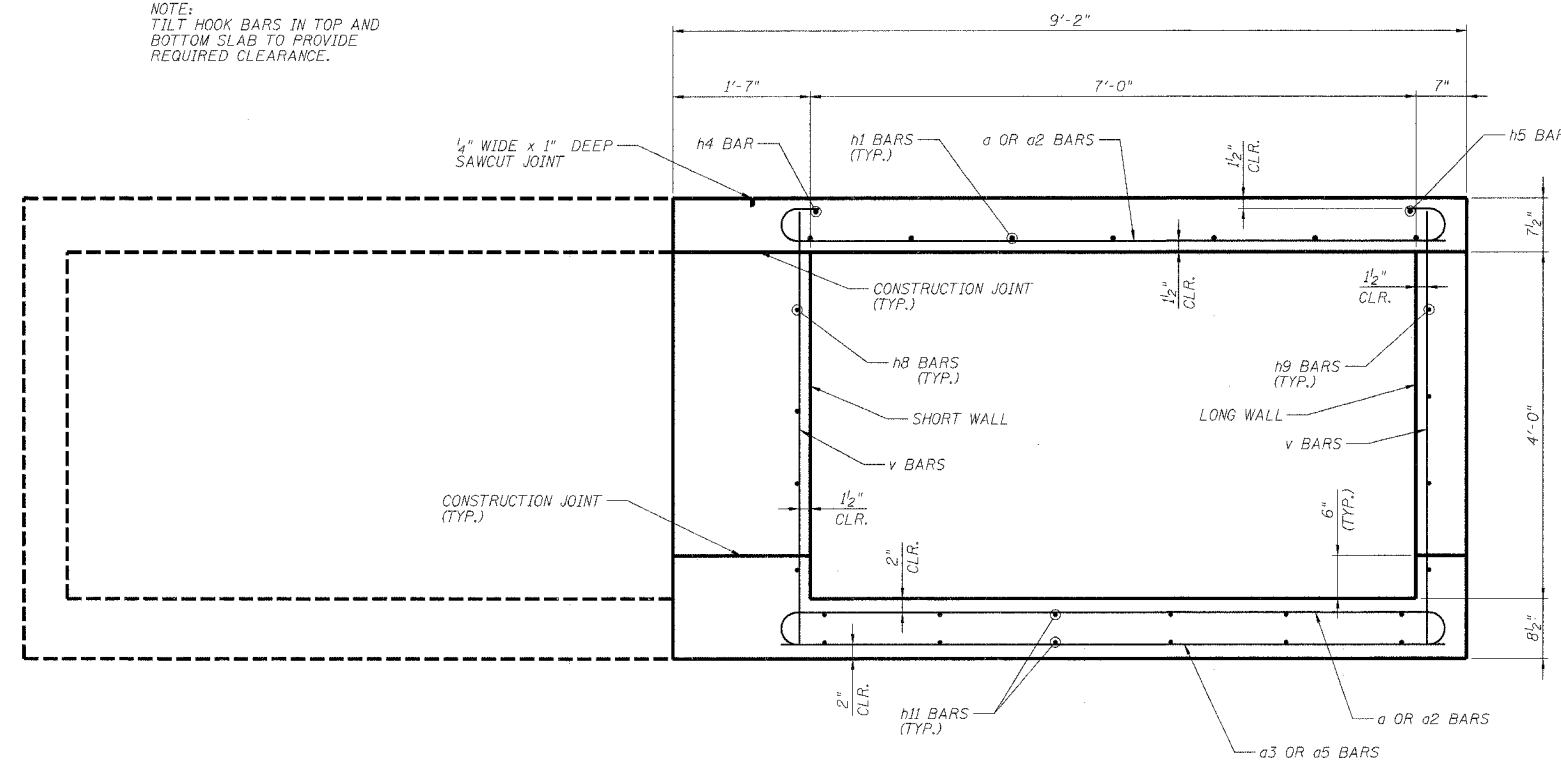
ROUTE NO.	SECTION	COUNTY	TOTAL SHEETS	SHEET NO.	SHEET NO. 05 11 SHEETS
F.A.P. 545	114T-1	CARROLL	118	42	
FED. ROAD DIST. NO. 2		ILLINOIS	FED. AID PROJECT		

Contract # 64C31



SECTION B-B & BI-BI

NOTE:
TILT HOOK BARS IN TOP AND
BOTTOM SLAB TO PROVIDE
REQUIRED CLEARANCE.



SECTION C-C & CI-CI

NOTE:
TILT HOOK BARS IN TOP AND
BOTTOM SLAB TO PROVIDE
REQUIRED CLEARANCE.

DESIGNED -	ASP
CHECKED -	WSP
DRAWN -	BGC
CHECKED -	ASP

EXAMINED	200
PASSED	ENGINEER OF BRIDGE DESIGN
	ENGINEER OF BRIDGES AND STRUCTURES

TYPICAL SECTION
F.A.P. 545 (IL. RTE. 72)
SECTION 114T-1
CARROLL COUNTY
STATION 322+38.25
STRUCTURE NO. 008-1091