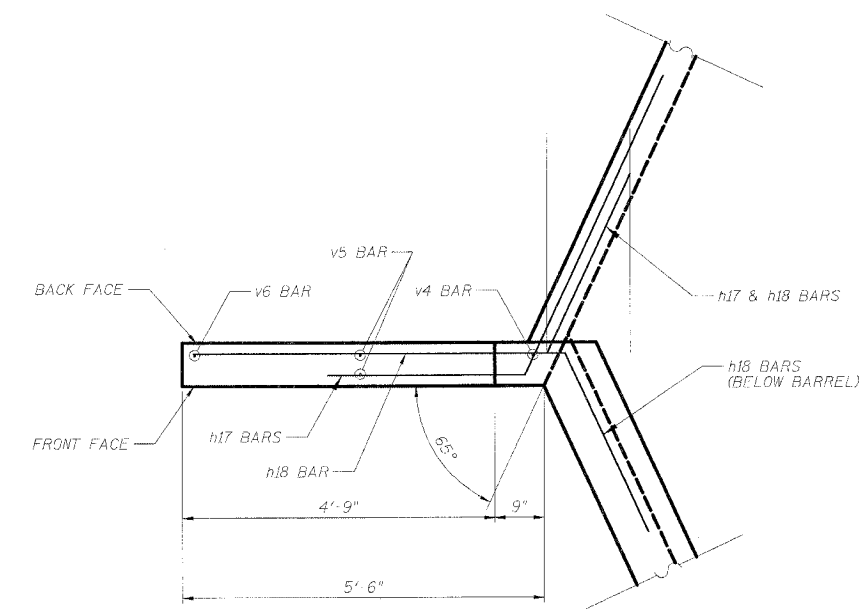
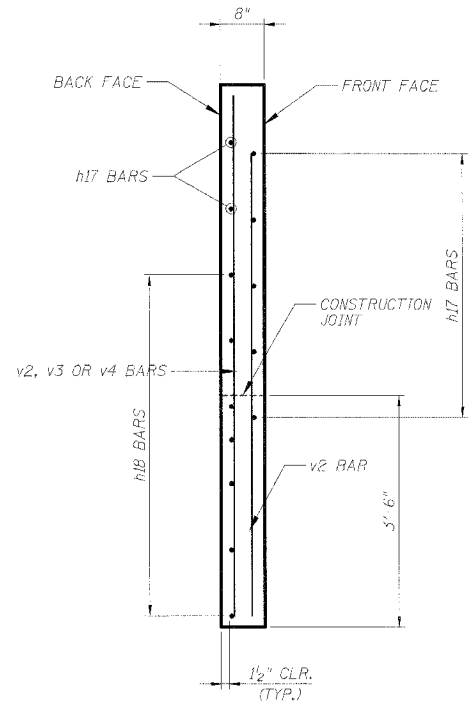


STATE OF ILLINOIS
DEPARTMENT OF TRANSPORTATION

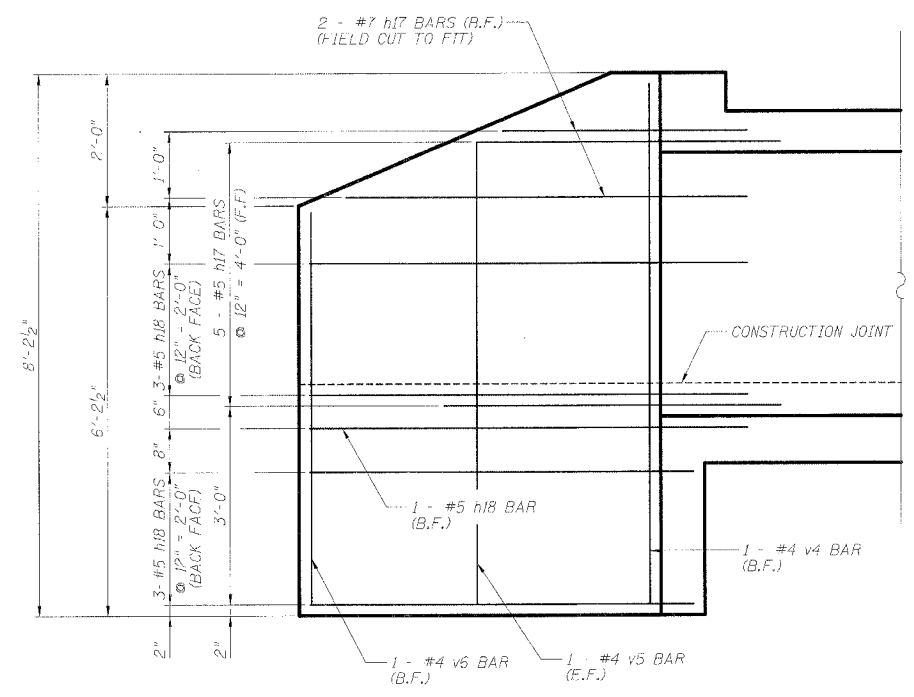
ROUTE NO.	SECTION	COUNTY	TOTAL SHEETS	SHEET NO.	SHEET NO. 07 11 SHEETS
F.A.P. 545	114T-1	CARROLL	118	11	
FED. ROAD DIST. NO. 2	ALLIANCE	FED. AID PROJECT	Contract # 64C31		



WINGS A & D PLAN



WINGS A & D TYPICAL SECTION



WINGS A & D ELEVATION

LEGEND
B.F. = BACK FACE
F.F. = FRONT FACE

DESIGNED	ASP	200
CHECKED	WSP	EXAMINED
DRAWN	BGC	PASSED
CHECKED	ASP	ENGINEER OF BRIDGE DESIGN
		ENGINEER OF CIVIL AND STRUCTURES

WINGS A & D
F.A.P. 545 (IL. RTE. 72)
SECTION 114T-1
CARROLL COUNTY
STATION 322+38.25
STRUCTURE NO. 008-1091