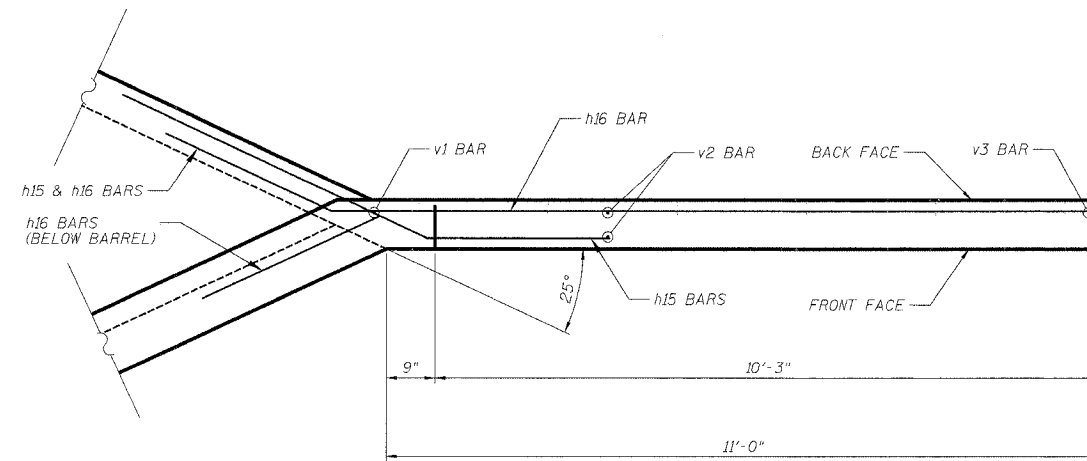


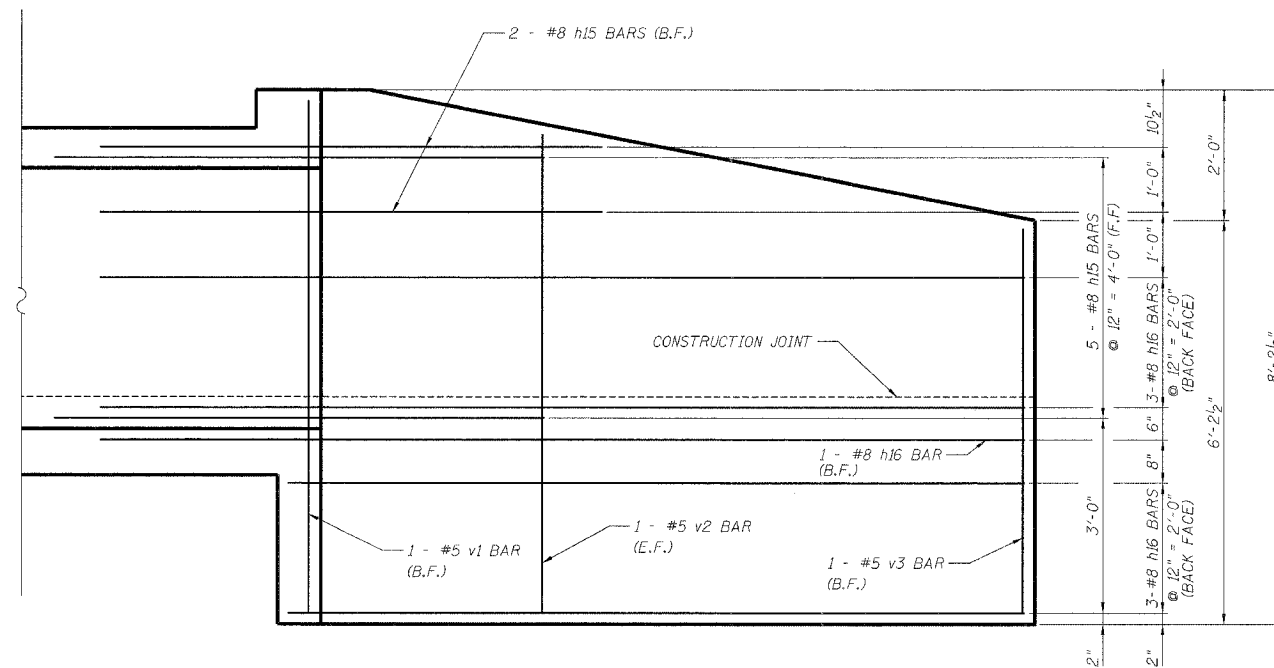
STATE OF ILLINOIS
DEPARTMENT OF TRANSPORTATION

ROUTE NO.	SECTION	COUNTY	SHEET NO.	SHEET	SHEET NO.
F.A.P. 545	114T-1	CARROLL	118	45	11 SHEETS
FED. ROAD DIST. NO. 2	ILLINOIS	FED. AID PROJECT			

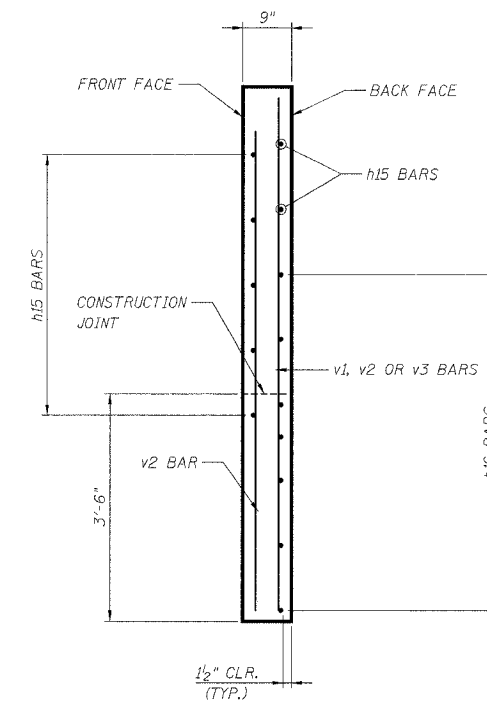
Contract # 64C31



WINGS B & C PLAN



WINGS B & C ELEVATION



WINGS B & C TYPICAL SECTION

LEGEND
B.F. = BACK FACE
F.F. = FRONT FACE

DESIGNED -	ASP
CHECKED -	WSP
DRAWN -	BGC
CHECKED -	ASP

EXAMINED	200
PASSED	ENGINEER OF BRIDGE DESIGN
	ENGINEER OF BRIDGES AND STRUCTURES

WINGS B & C
F.A.P. 545 (IL. RTE. 72)
SECTION 114T-1
CARROLL COUNTY
STATION 322+38.25
STRUCTURE NO. 008-1091