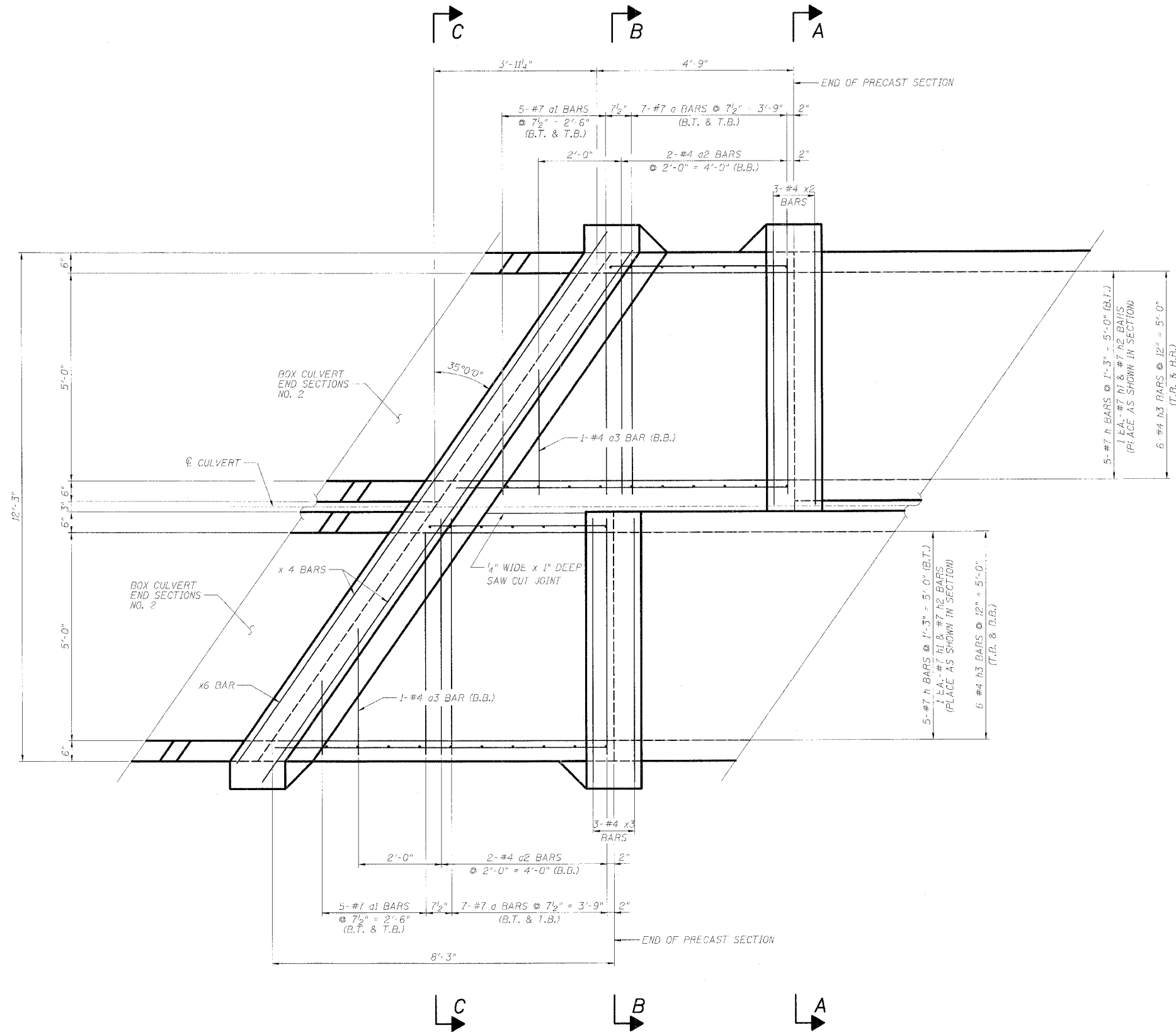


STATE OF ILLINOIS
DEPARTMENT OF TRANSPORTATION

ROUTE NO. F.A.P. 545	SECTION 114T-1	COUNTY OGLE	TOTAL SHEETS 118	SHEET NO. 50	SHEET NO. 02 10 SHEETS
FED. ROAD DIST. NO. 2		ALLIANCE	FED. ROAD PROJECT		

Contract # 64C31



INLET PLAN

LEGEND

T.T. = TOP OF TOP SLAB
B.T. = BOTTOM OF TOP SLAB
T.B. = TOP OF BOTTOM SLAB
B.B. = BOTTOM OF BOTTOM SLAB

DESIGNED	ASP
CHECKED	WSP
DRAWN	BEM
CHECKED	ASP

200	EXAMINED
	ENGINEER OF BRIDGE DESIGN
	PASSED
	ENGINEER OF BRIDGES AND STRUCTURES

INLET SECTION PLAN
F.A.P. 545 (IL. RTE. 72)
SECTION 114T-1
OGLE COUNTY
STATION 38+85.17
STRUCTURE NO. 071-1150