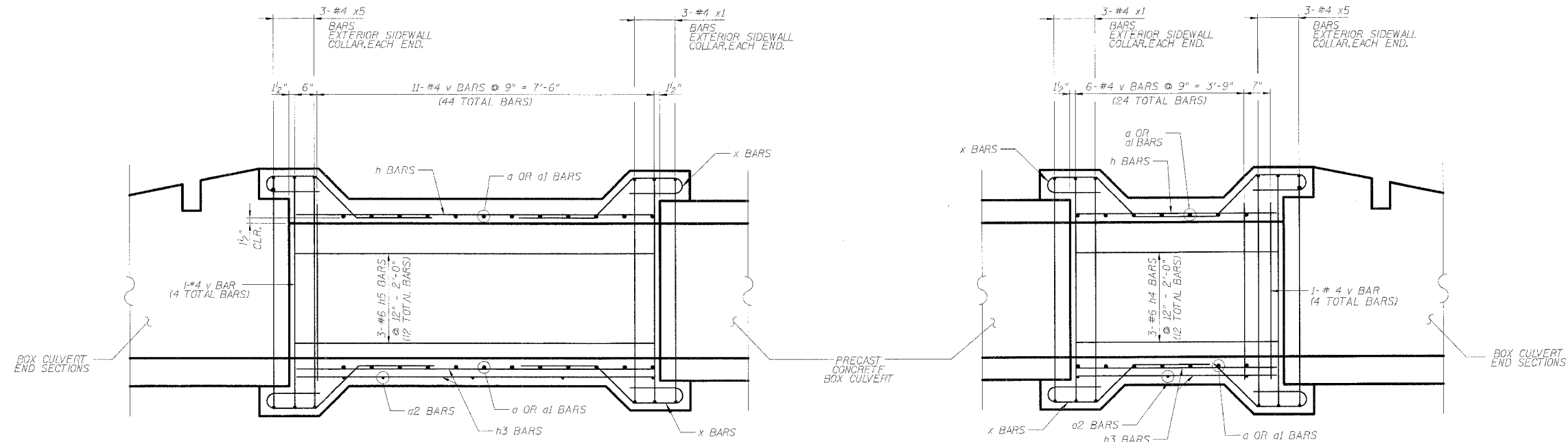


STATE OF ILLINOIS  
DEPARTMENT OF TRANSPORTATION

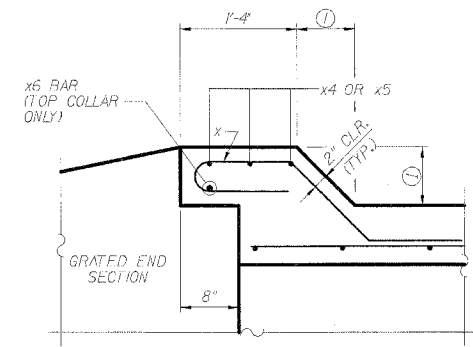
STATE NO.	SECTION	COUNTY	STATION	SHEET NO.
F.A.P. 545	114T-1	OGLE	118	52
FED. ROAD DIST. NO. 3		ILLINOIS	FED. AID PROJECT NO.	
Contract # 64031				



**LONG WALL**  
2 WALLS EACH END

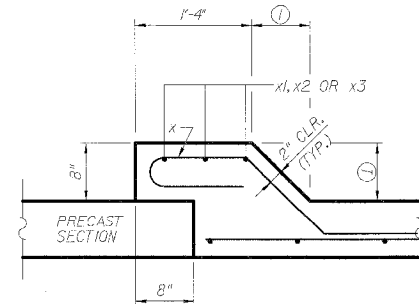
**SHORT WALL**  
2 WALLS EACH END

ELEVATION



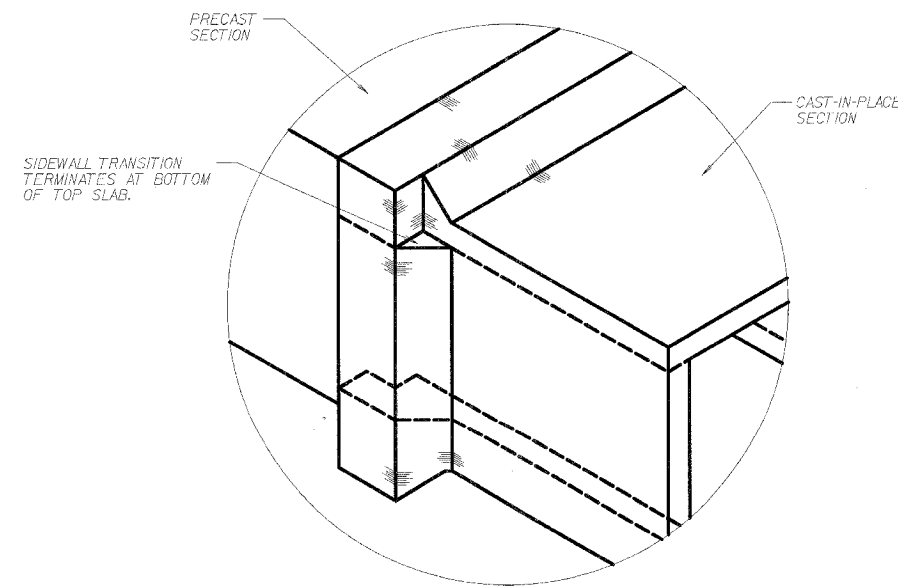
OPTIONAL CAST-IN-PLACE TO GRATED END SECTION CONNECTION COLLAR

① TOP SLAB = 8"  
BOTTOM SLAB = 8"  
SIDEWALLS = 8"

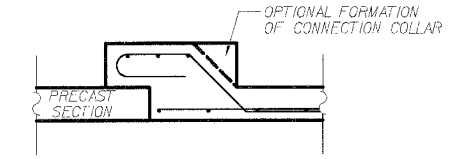


PRECAST TO CAST-IN-PLACE CONNECTION COLLAR

① TOP SLAB = 7 1/2"  
BOTTOM SLAB = 8"  
SIDEWALLS = 8"



ISOMETRIC VIEW OF CONNECTION COLLAR



OPTIONAL PRECAST TO CAST-IN-PLACE CONNECTION COLLAR

NOTE:  
ADDITIONAL CONCRETE USED FOR THE OPTIONAL COLLAR FORMATION WILL BE PROVIDED AT THE CONTRACTOR'S EXPENSE.

INLET & OUTLET SECTION ELEVATION  
F.A.P. 545 (IL. RTE. 72)  
SECTION 114T-1  
OGLE COUNTY  
STATION 38+85.17  
STRUCTURE NO. 071-1150

DESIGNED	ASP	200
CHECKED	WSP	EXAMINED
DRAWN	BEM	PASSED
CHECKED	ASP	ENGINEER OF BRIDGES AND STRUCTURES