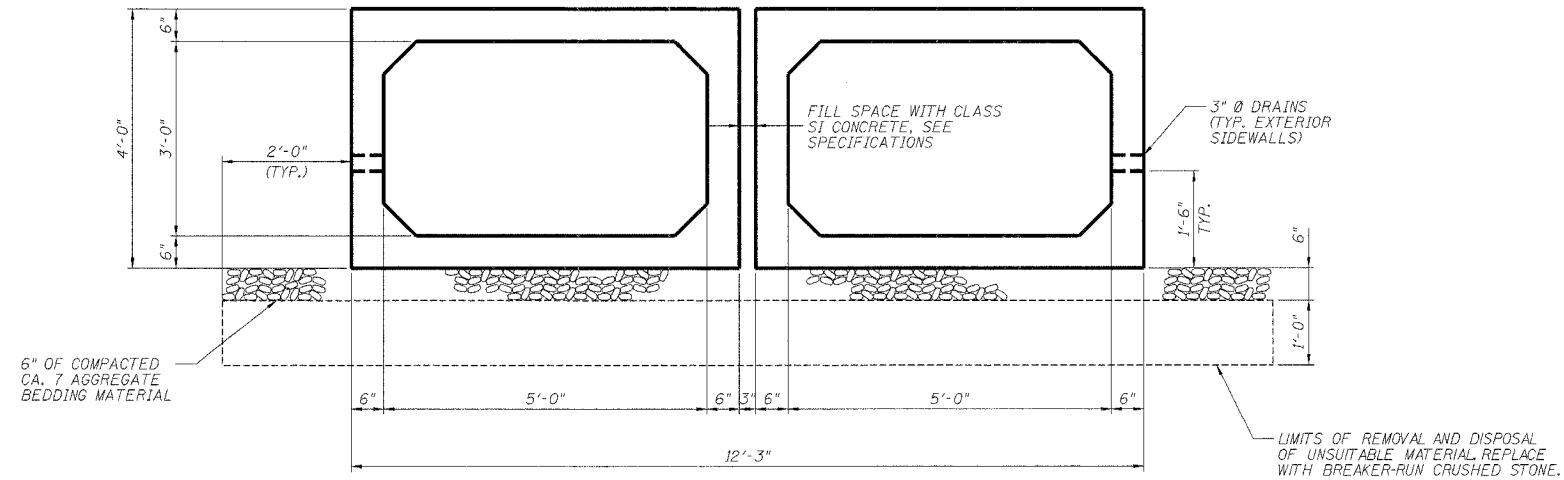


STATE OF ILLINOIS
DEPARTMENT OF TRANSPORTATION

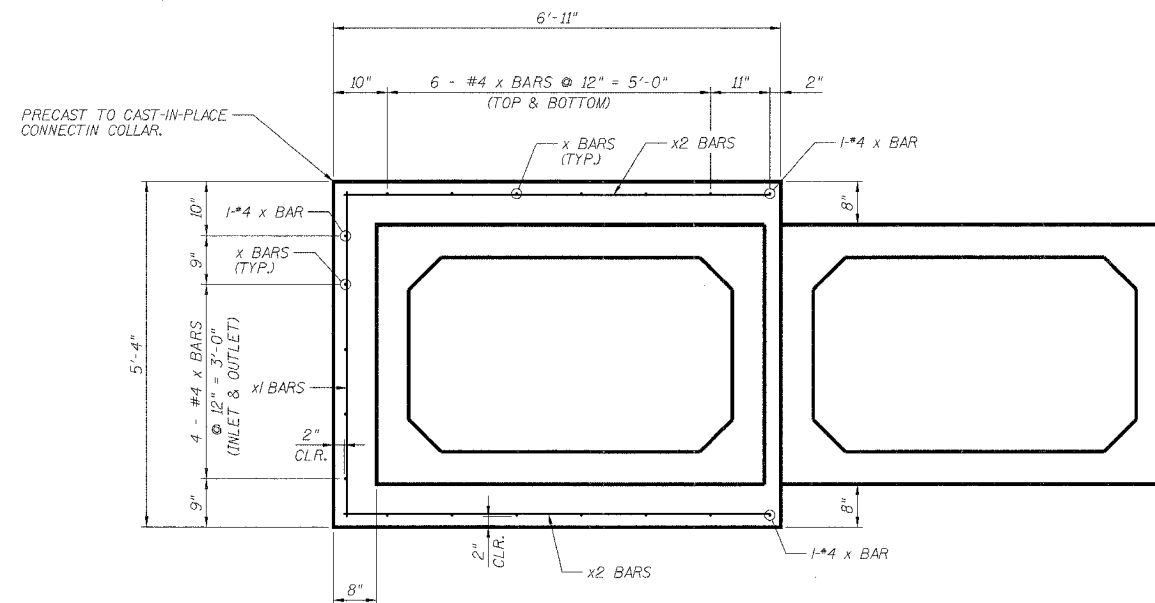
ROUTE NO.	SECTION	COUNTY	TOTAL SHEETS	SHEET NO.	SHEET NO. 05 10 SHEETS
F.A.P. 545	114T-1	OGLE	118	53	
FED. ROAD DIST. NO. 2	ALIGNER	FED. AID PROJECT			

Contract # 64C31



PRECAST TYPICAL SECTION

NOTE:
CLASS SI CONCRETE TO BE POURED
BETWEEN PRECAST SECTIONS PRIOR
TO FORMING AND POURING OF
CAST-IN-PLACE SECTIONS.



SECTION A-A & A1-A1

DESIGNED -	ASP
CHECKED -	WSP
DRAWN -	BEM
CHECKED -	ASP

EXAMINED	200
PASSED	ENGINEER OF BRIDGE DESIGN
	ENGINEER OF BRIDGES AND STRUCTURES

TYPICAL SECTIONS
F.A.P. 545 (IL. RTE. 72)
SECTION 114T-1
OGLE COUNTY
STATION 38+85.17
STRUCTURE NO. 071-1150