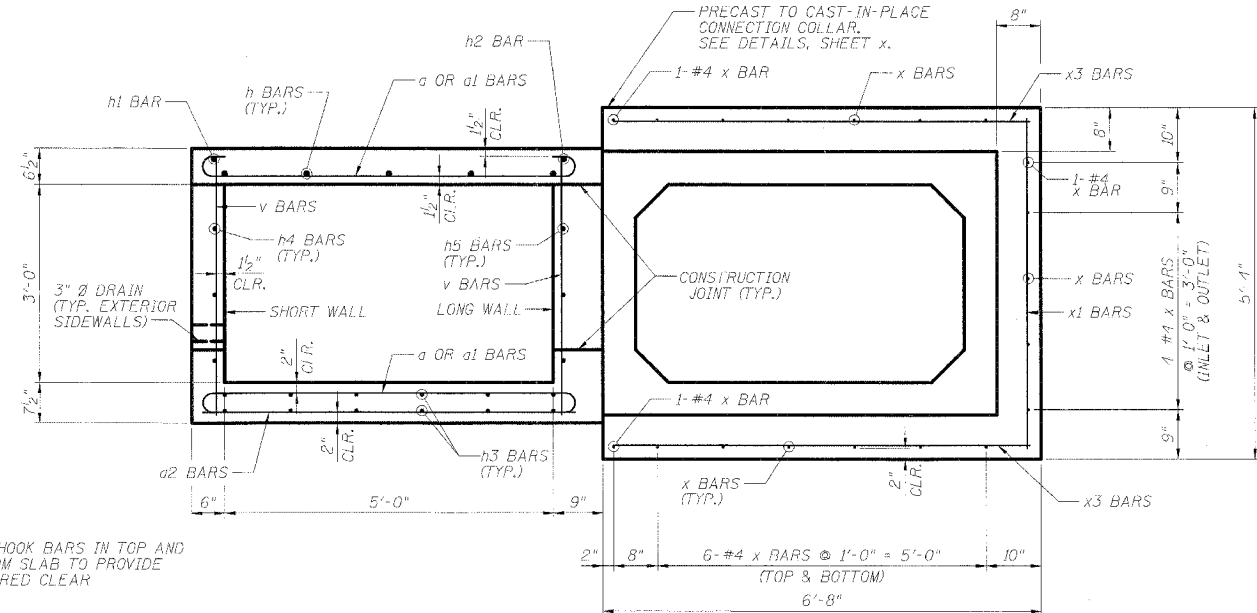


STATE OF ILLINOIS
DEPARTMENT OF TRANSPORTATION

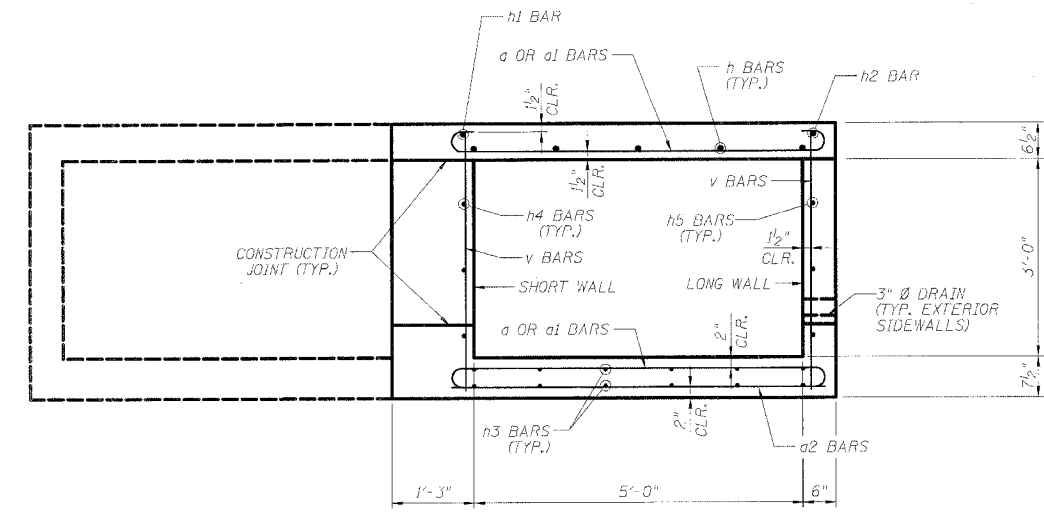
ROUTE NO.	SECTION	COUNTY	TOTAL SHEETS	SHEET NO.
F.A.P. 545	114T-1	OGLE	118	54
FED. ROAD DIST. NO. 2	ILLINOIS	FED. AID PROJECT		

SHEET NO. 06
10 SHEETS
Contract # 64C31



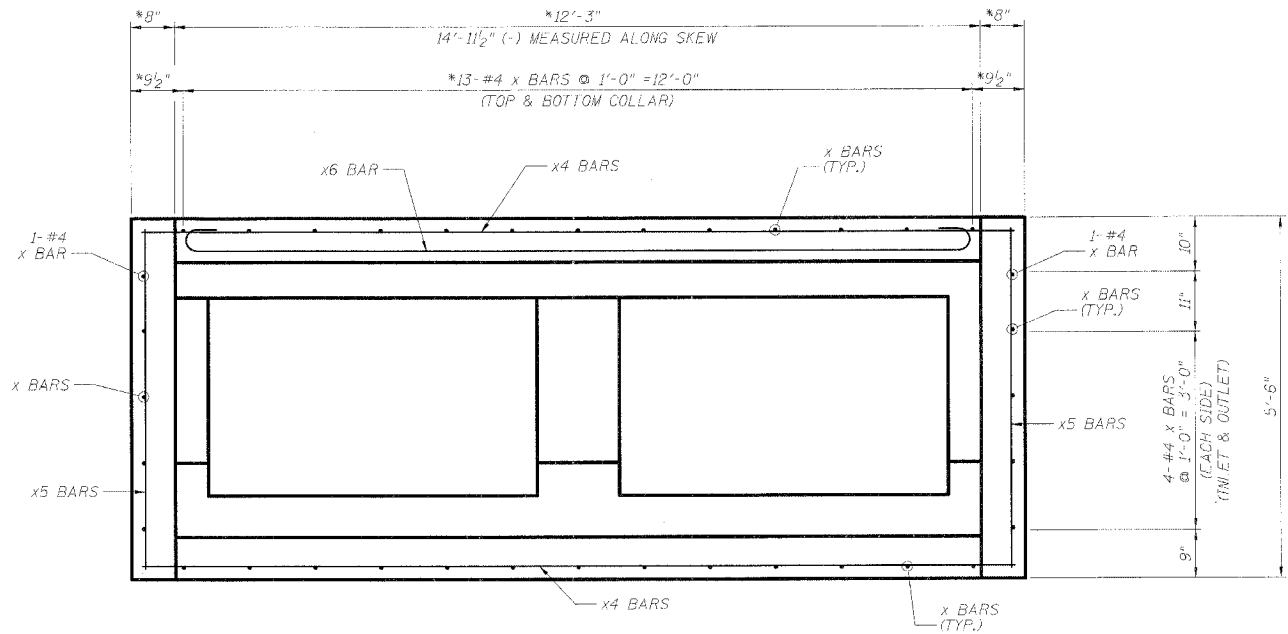
NOTE:
TILT HOOK BARS IN TOP AND
BOTTOM SLAB TO PROVIDE
REQUIRED CLEAR

PRECAST TYPICAL SECTION



NOTE:
TILT HOOK BARS IN TOP AND
BOTTOM SLAB TO PROVIDE
REQUIRED CLEAR

SECTION A-A & A1-A1



**CAST-IN-PLACE BARREL TO END
SECTIONS CONNECTION COLLAR VIEW**

* MEASURED PERPENDICULAR TO CULVERT SIDEWALLS

NOTE:
TILT X6 BAR IN COLLAR
TO PROVIDE REQUIRED CLEAR.

DESIGNED - ASP	200
CHECKED - WSP	EXAMINED
DRAWN - BEM	PASSED
CHECKED - ASP	ENGINEER OF BRIDGES AND STRUCTURES

TYPICAL SECTIONS
F.A.P. 545 (IL. RTE. 72)
SECTION 114T-1
OGLE COUNTY
STATION 38+85.17
STRUCTURE NO. 071-1150