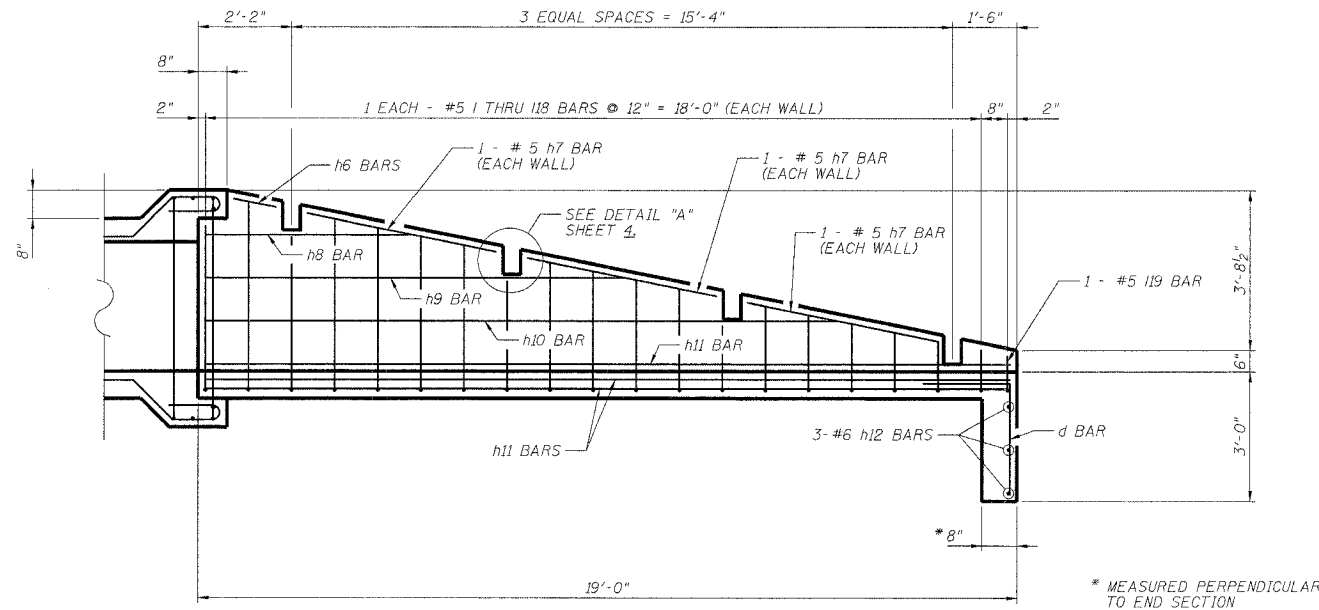


STATE OF ILLINOIS
DEPARTMENT OF TRANSPORTATION

ROUTE NO.	SECTION	COUNTY	TOTAL SHEETS	SHEET NO.
F.A.P. 545	114T-1	OGLE	118	56
FED. ROAD DIST. NO. 2	ILLINOIS	FED. AID PROJECT		

SHEET NO. 08
10 SHEETS

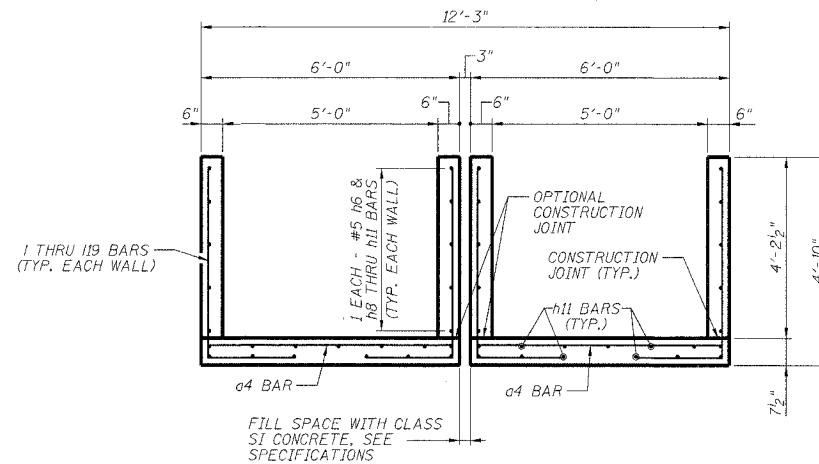
Contract # 64C31



INLET/OUTLET ELEVATION

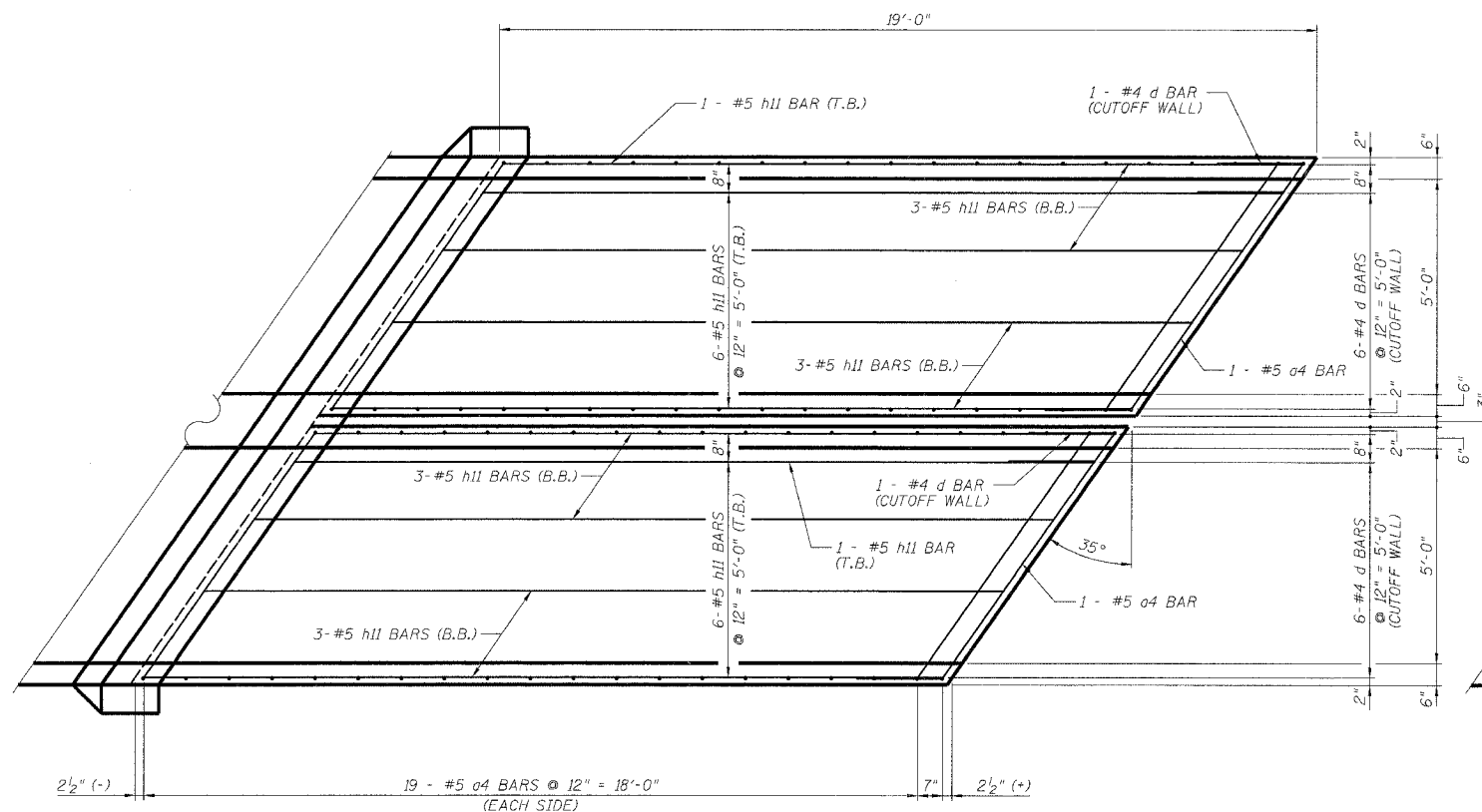
(2 END SECTIONS, EACH END)
(4 TOTAL)

* MEASURED PERPENDICULAR
TO END SECTION

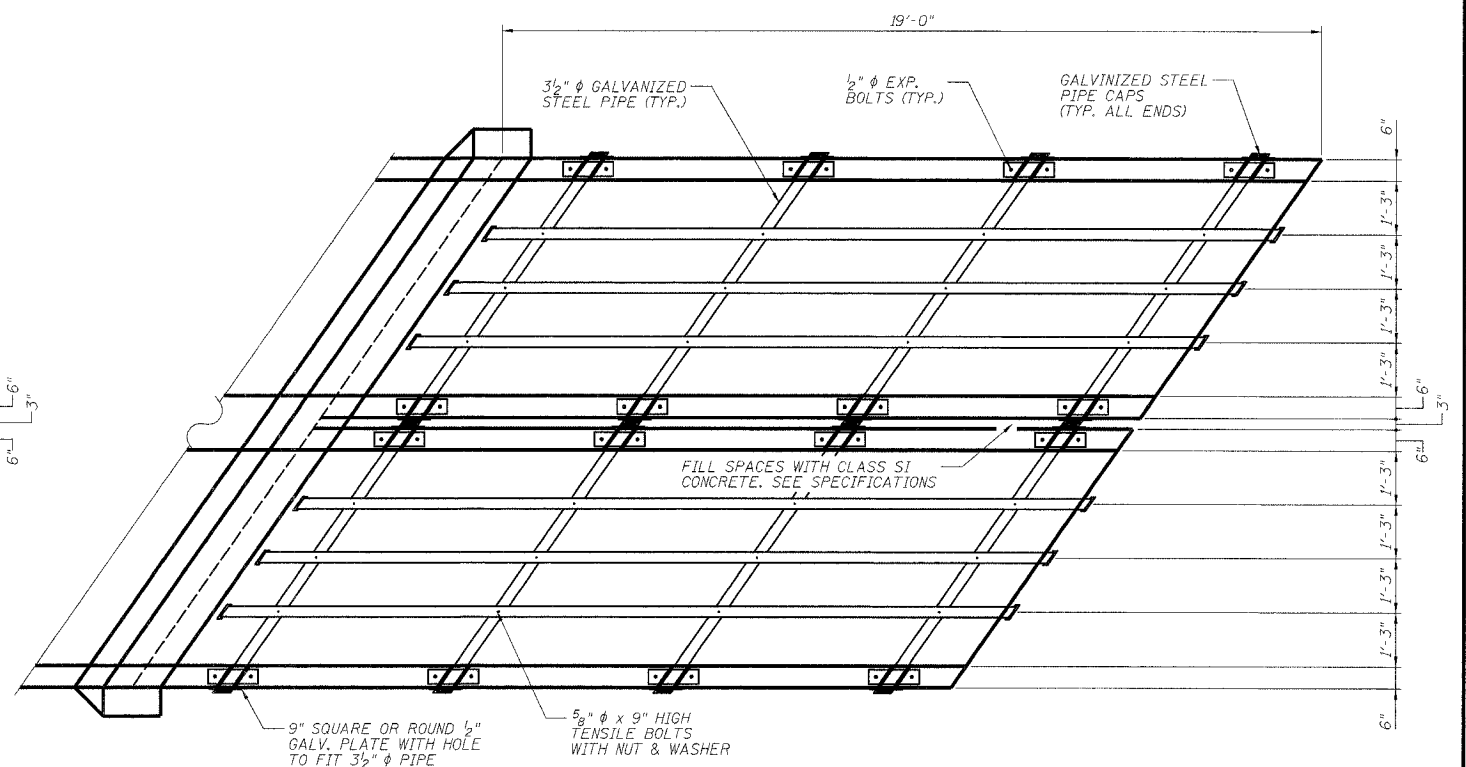


SECTION A-A

FILL SPACE WITH CLASS
SI CONCRETE, SEE
SPECIFICATIONS



INLET/OUTLET PLAN



GRATE INLET/OUTLET PLAN

(2 END SECTIONS, EACH END)
(4 TOTAL)

DESIGNED -	ASP
CHECKED -	WSP
DRAWN -	BEM
CHECKED -	ASP

EXAMINED	200
PASSED	ENGINEER OF BRIDGE DESIGN
	ENGINEER OF BRIDGES AND STRUCTURES

LEGEND

T.B. = TOP OF BOTTOM SLAB
B.B. = BOTTOM OF BOTTOM SLAB

BOX CULVERT END SECTIONS NO. 2
PLAN & ELEVATION
F.A.P. 545 (IL. RTE. 72)
SECTION 114T-1
OGLE COUNTY
STATION 38+85.17
STRUCTURE NO. 071-1150