

STATE OF ILLINOIS
DEPARTMENT OF TRANSPORTATION

ROUTE NO.	DISTRICT	COUNTY	SHEET NO.	TOTAL SHEETS
F.A.P. 545	114T-1	OGLE	118	57
FED. ROAD DIST. NO. 2		ILLINOIS	FED. AID PROJECT	

SHEET NO. 09
10 SHEETS

Contract # 64C31

**** BOX CULVERT
END SECTIONS NO. 2
BILL OF MATERIAL**

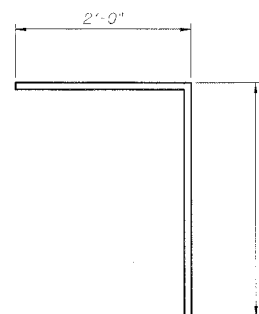
*** BOX CULVERT END SECTIONS NO. 2
BILL OF MATERIAL**

ITEM	UNIT	QUANTITY
3 1/2" Ø GALV. STEEL PIPE	EACH	3 @ 18'-7"
1/2" x 4" x 14" GALV. ANCHOR PLATE	EACH	4 @ 7'-6 3/8"
5/8" Ø x 9" GALV. BOLTS	EACH	12
1/2" Ø GALV. EXP. BOLTS	EACH	16
9" SQ. OR ROUND 1/2" GALV. PLATE	EACH	8
GALV. STEEL PIPE CAPS	EACH	14

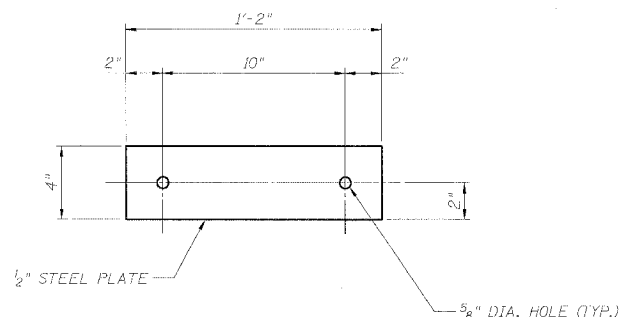
* QUANTITIES GIVEN ARE FOR EACH BOX CULVERT END SECTION. FOR INFORMATIONAL PURPOSES ONLY. COST TO BE INCLUDED IN THE BID ITEM "BOX CULVERT END SECTIONS NO. 2"

Bar	No.	Size	Length	Shape
d4	80	5	6'-11"	—
d	28	4	4'-8"	—
h6	8	5	0'-11"	—
h7	24	5	4'-5"	—
h8	8	5	4'-9"	—
h9	8	5	9'-9"	—
h10	8	5	14'-8"	—
h11	60	5	18'-8"	—
h12	12	6	6'-11"	—
1	8	5	5'-9"	—
11	8	5	6'-4"	—
12	8	5	5'-6"	—
13	8	5	5'-11"	—
14	8	5	5'-9"	—
15	8	5	5'-6"	—
16	8	5	5'-4"	—
17	8	5	4'-6"	—
18	8	5	4'-11"	—
19	8	5	4'-9"	—
110	8	5	4'-6"	—
111	8	5	4'-4"	—
112	8	5	3'-5"	—
113	8	5	3'-11"	—
114	8	5	3'-8"	—
115	8	5	3'-6"	—
116	8	5	3'-4"	—
117	8	5	3'-1"	—
118	8	5	2'-11"	—
119	8	5	2'-9"	—
CONCRETE STRUCTURES		CU. YD.	18.8	
REINFORCEMENT BARS		POUND	3,413	

** BILL OF MATERIAL IS TOTAL FOR ALL END SECTIONS. FOR INFORMATIONAL PURPOSES ONLY

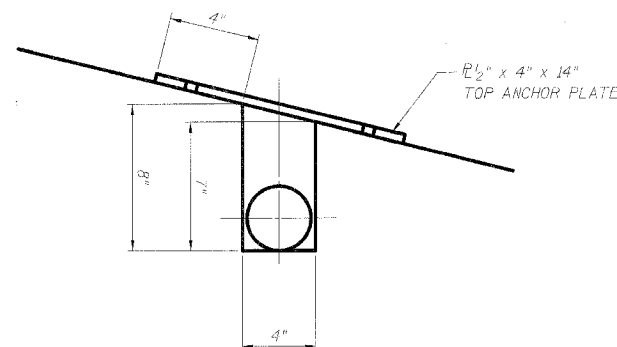


BAR d

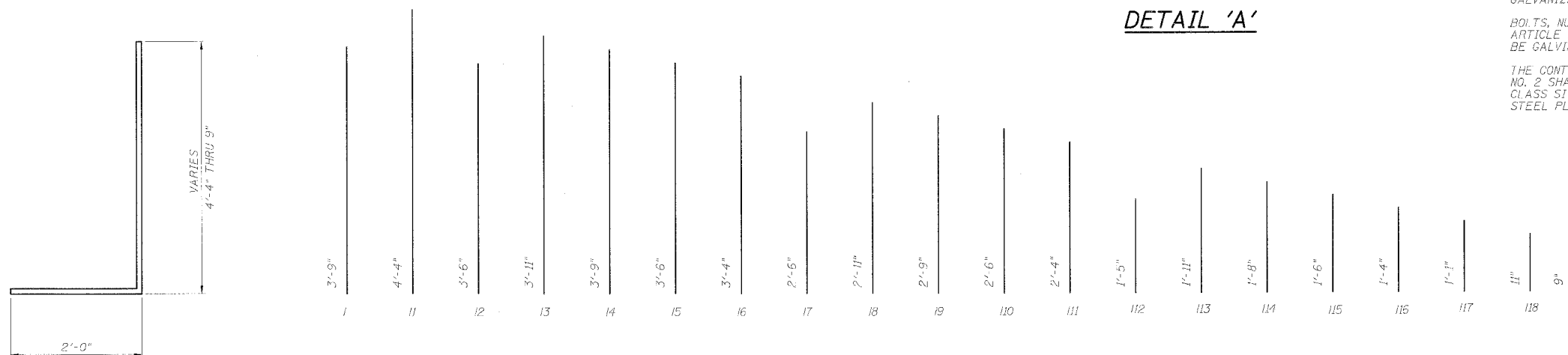


TOP ANCHOR PLATE

(8 EACH SECTION)
(32 TOTAL)



DETAIL 'A'



BARS 1 THRU 119

GENERAL NOTES

STEEL PIPES SHALL CONFORM TO A.S.T.M. A-53 (TYPE E OR S) GRADE B, SCHEDULE 40, & SHALL BE GALVANIZED CONFORMING TO A.S.T.M. A-120.

STEEL PLATES SHALL CONFORM TO AASHTO M-183 & SHALL BE GALVANIZED CONFORMING TO AASHTO M-111.

BOLTS, NUTS AND WASHERS SHALL BE IN ACCORDANCE WITH ARTICLE 1006.08 OF THE STANDARD SPECIFICATIONS AND SHALL BE GALVANIZED.

THE CONTRACT UNIT PRICE "EACH" FOR BOX CULVERT END SECTION NO. 2 SHALL INCLUDE THE EXPANSION BOLTS, GALVANIZED PIPES, CLASS SI CONCRETE, BOLTS, NUTS, REINFORCEMENT, WASHERS, AND STEEL PLATES.

DESIGNED - ASP	200
CHECKED - WSP	EXAMINED
DRAWN - BEM	PASSED
CHECKED - ASP	

BOX CULVERT END SECTIONS NO. 2

DETAILS

F.A.P. 545 (IL. RTE. 72)

SECTION 114T-1

OGLE COUNTY

STATION 38+85.17

STRUCTURE NO. 071-1150