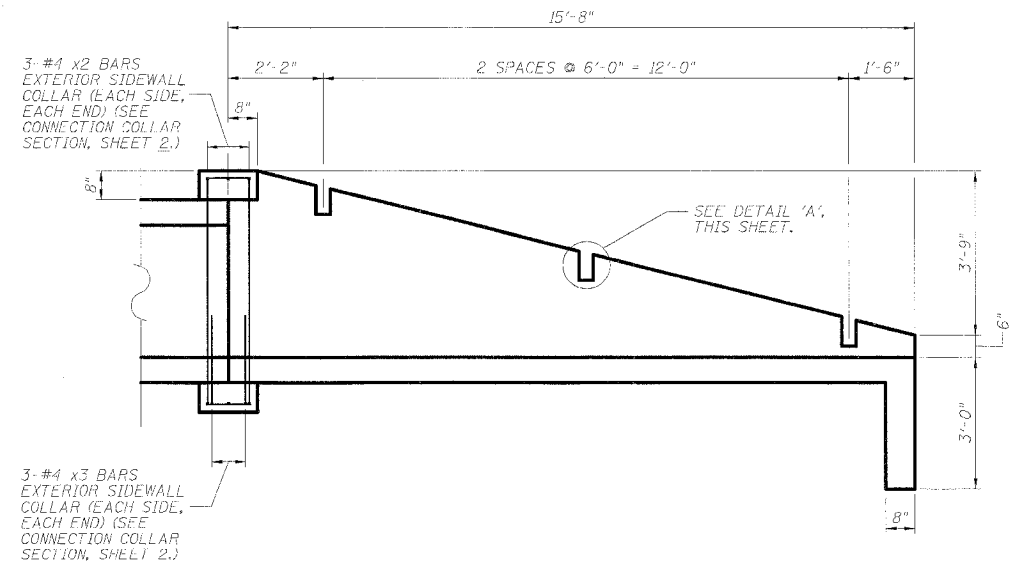


STATE OF ILLINOIS
DEPARTMENT OF TRANSPORTATION

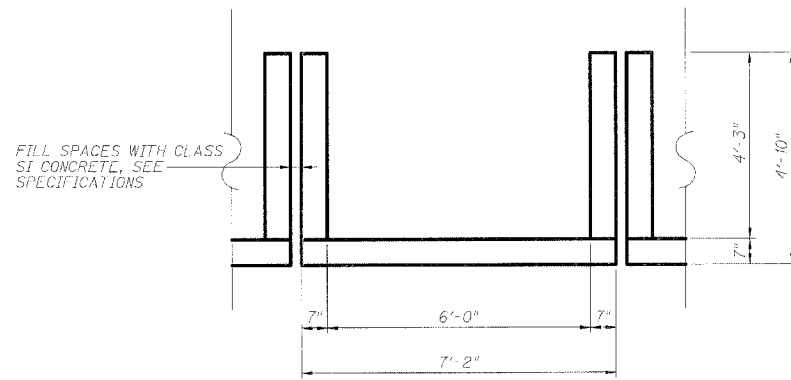
ROUTE NO.	DISTRICT	COUNTY	CONTRACT NO.	SHEET NO.
F.A.P. 545	114T-1	OGLE	119	61
FED. ROAD DIST. NO. 2		ILLINOIS	FED. AID PROJ. DIST.	

Contract # 64C31



INLET/OUTLET ELEVATION

(5 END SECTIONS,
EACH END 10 TOTAL)

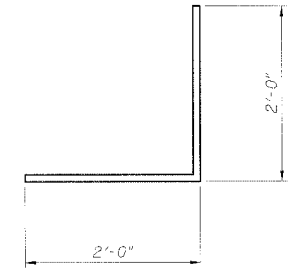


SECTION A-A

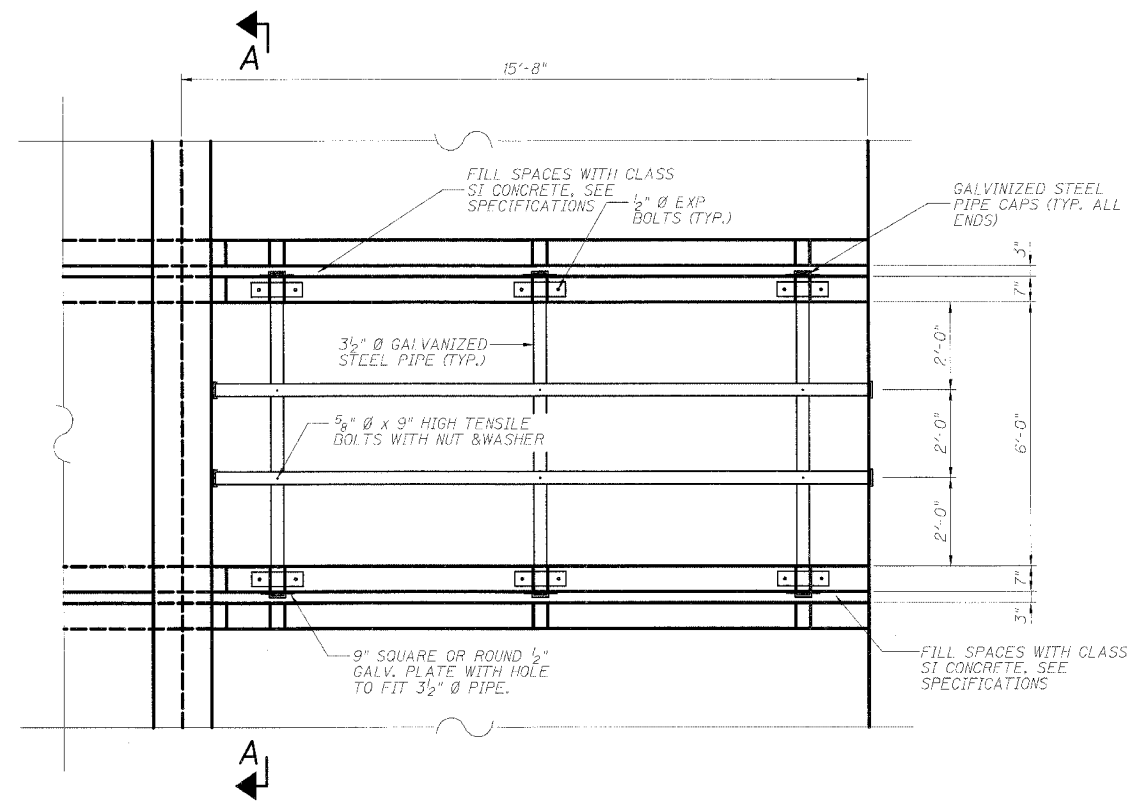
*** CONNECTION COLLAR
BILL OF MATERIAL**

Bar	No.	Size	Length	Shape
x	172	4	1'-0"	—
x1	24	4	19'-7"	—
x2	12	4	4'-8"	—
x3	12	4	4'-0"	—
CONCRETE STRUCTURES		CU. YD.	5.6	
REINFORCEMENT BARS		POUND	508	

* FOR INFORMATIONAL PURPOSES ONLY.
COST TO BE INCLUDED IN THE BID ITEM
"PRECAST CONCRETE BOX CULVERT 6'x3'"

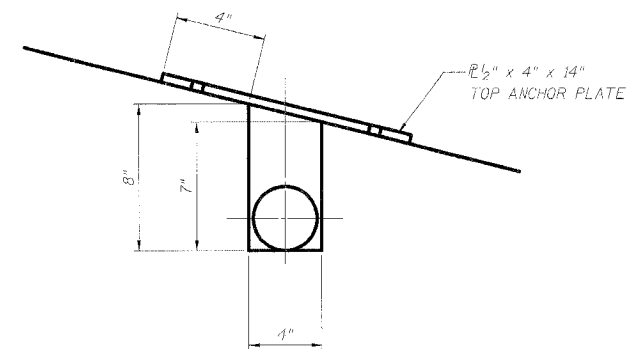


BAR x3

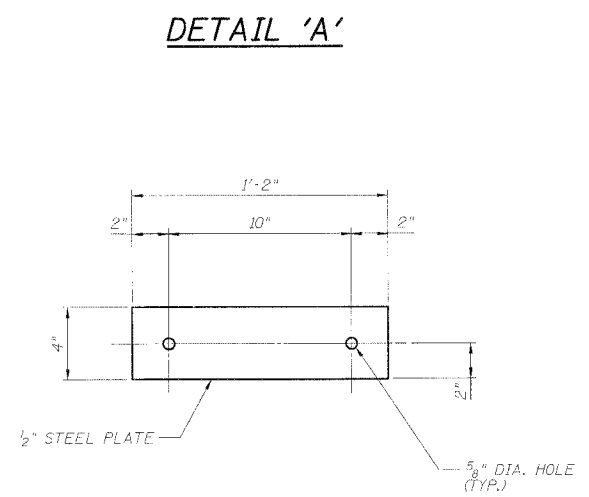


INLET/OUTLET PLAN

(5 END SECTIONS,
EACH END 10 TOTAL)



DETAIL 'A'



TOP ANCHOR PLATE

(6 EACH SECTION)
(60 TOTAL)

**** BOX CULVERT END SECTIONS NO. 3
BILL OF MATERIAL**

ITEM	UNIT	QUANTITY
3 1/2" Ø GALV. STEEL PIPE	EACH	2 @ 15'-4"
3 @ 7'-4"		
1/2" x 4" x 14" GALV. ANCHOR PLATE	EACH	6
5/8" Ø x 9" GALV. BOLTS	EACH	6
1/2" Ø GALV. EXP. BOLTS	EACH	12
9" SQ. OR ROUND 1/2" GALV. PLATE	EACH	6
GALV. STEEL PIPE CAPS	EACH	10

** QUANTITIES GIVEN ARE FOR EACH BOX CULVERT END SECTION FOR INFORMATIONAL PURPOSES ONLY. COST TO BE INCLUDED IN THE BID ITEM "BOX CULVERT END SECTIONS NO. 3".

GENERAL NOTES

- STEEL PIPES SHALL CONFORM TO A.S.T.M. A-53 (TYPE E OR S) GRADE B, SCHEDULE 40, & SHALL BE GALVANIZED CONFORMING TO A.S.T.M. A-120.
- STEEL PLATES SHALL CONFORM TO AASHTO M-183 & SHALL BE GALVANIZED CONFORMING TO AASHTO M-111.
- BOLTS, NUTS AND WASHERS SHALL BE IN ACCORDANCE WITH ARTICLE 1006.08 OF THE STANDARD SPECIFICATIONS AND SHALL BE GALVANIZED.
- THE CONTRACT UNIT PRICE "EACH" FOR BOX CULVERT END SECTIONS NO. 3 SHALL INCLUDE THE EXPANSION BOLTS, GALVANIZED PIPES, CLASS SI CONCRETE, BOLTS, NUTS, REINFORCEMENT, WASHERS AND STEEL PLATES.

**BOX CULVERT END SECTIONS NO. 3
PLAN & ELEVATION
F.A.P. 545 (IL. RTE. 72)
SECTION 114T-1
OGLE COUNTY
STATION 121+43.48
STRUCTURE NO. 071-1151**

DESIGNED - ASP	200
CHECKED - WSP	EXAMINED
DRAWN - BEM	PASSED
CHECKED - ASP	ENGINEER OF BRIDGES AND STRUCTURES