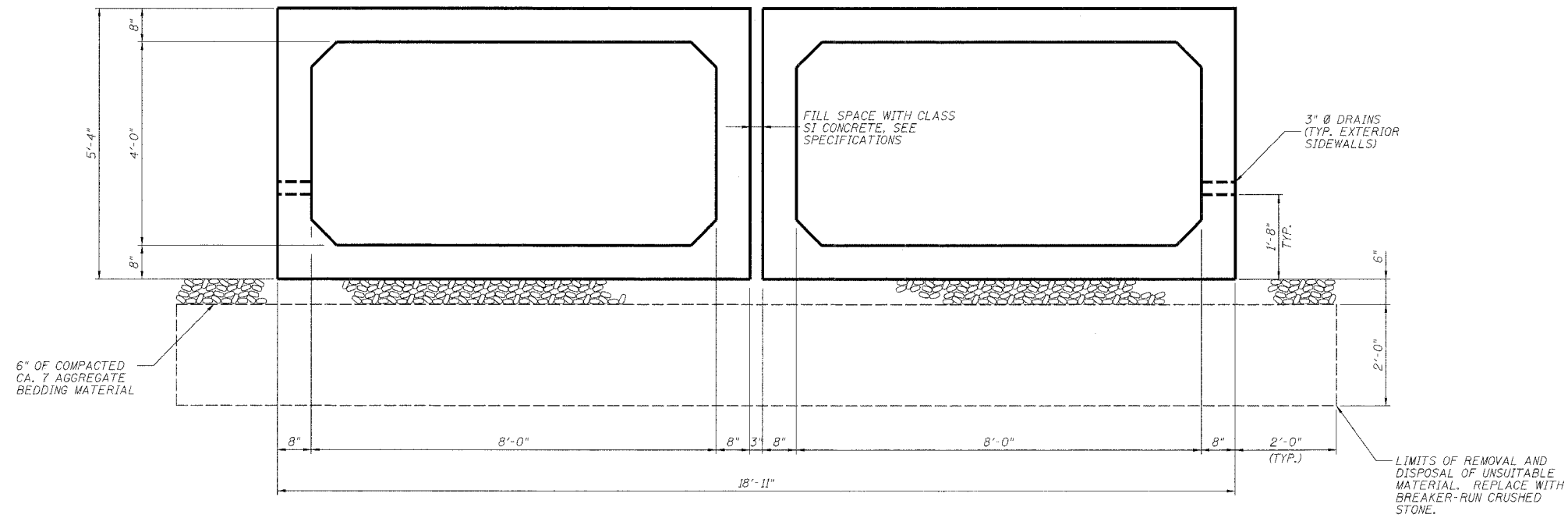


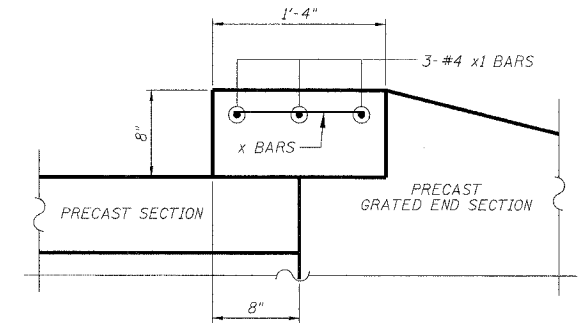
STATE OF ILLINOIS
DEPARTMENT OF TRANSPORTATION

ROUTE NO.	SECTION	COUNTY	TOTAL SHEETS	SHEET	SHEET NO.
F.A.P. 545	114T-1	OGLE	118	64	02
FED. ROAD DIST. NO. 2	ILLINOIS	FED. AID PROJECT			05 SHEETS

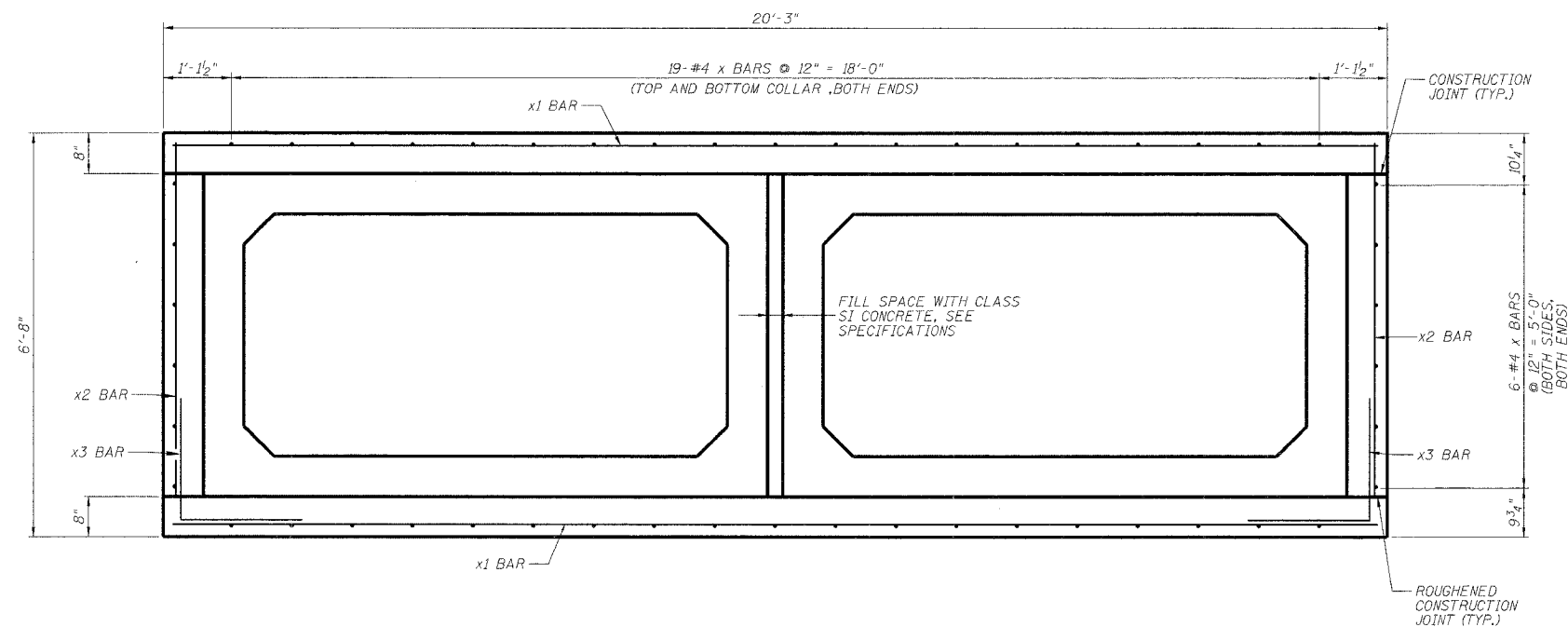
Contract # 64C31



PRECAST TYPICAL SECTION



COLLAR DETAIL



CONNECTION COLLAR SECTION

DESIGNED - ASP	200
CHECKED - WSP	EXAMINED
DRAWN - BEM	ENGINEER OF BRIDGE DESIGN
CHECKED - ASP	PASSED
	ENGINEER OF BRIDGES AND STRUCTURES

TYPICAL SECTIONS
F.A.P. 545 (IL. RTE. 72)
SECTION 114T-1
OGLE COUNTY
STATION 145+06.61
STRUCTURE NO. 071-1152