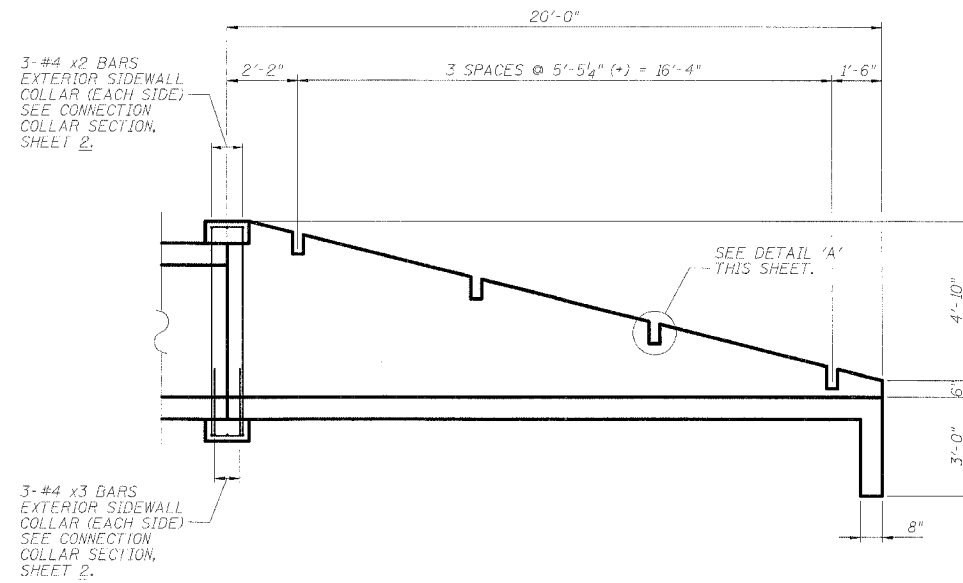


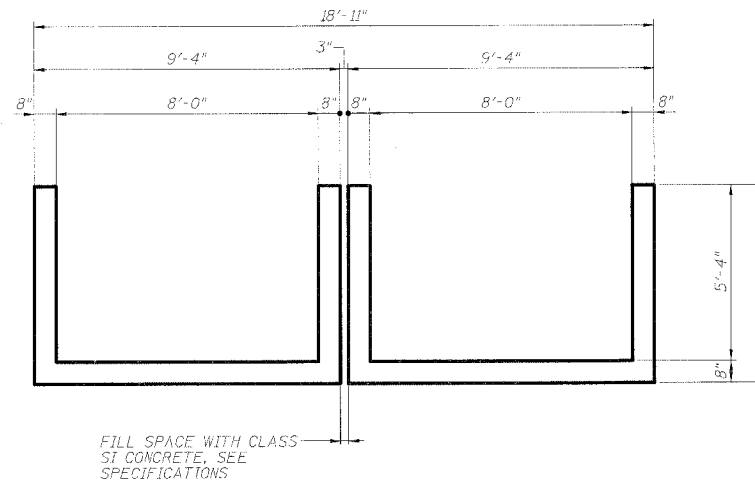
STATE OF ILLINOIS
DEPARTMENT OF TRANSPORTATION

PLANS NO.	SECTION	COUNTY	DATE	SHEET NO.
F.A.P. 545	114T-1	OGLE	118	65
FED. ROAD DIST. NO. 2		ILLINOIS	FED. RD. PROJECT	

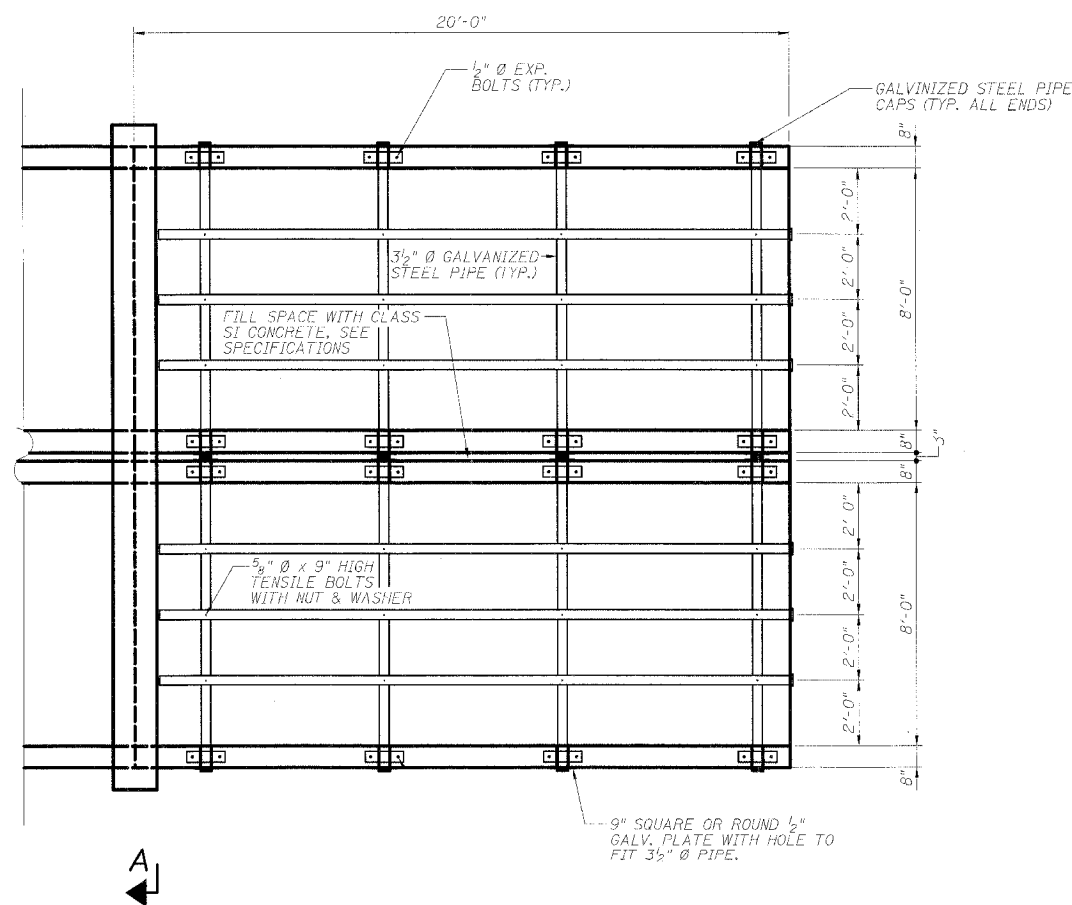
Contract # 64C31



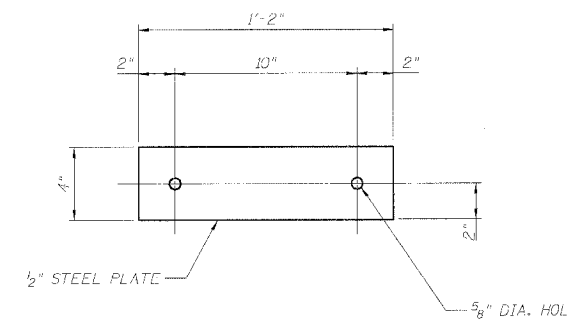
INLET/OUTLET ELEVATION
(2 END SECTIONS EACH END, 4 TOTAL)



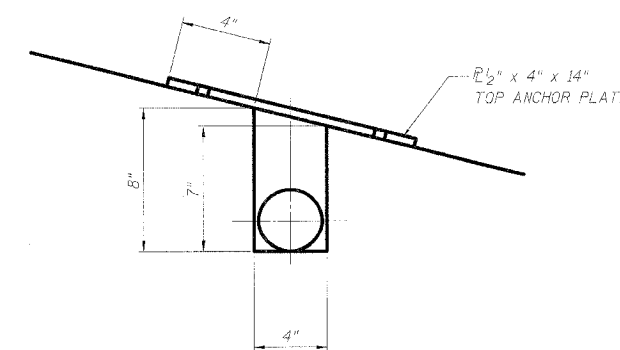
SECTION A-A



INLET/OUTLET PLAN
(2 END SECTIONS EACH END, 4 TOTAL)



TOP ANCHOR PLATE
(8 EACH SECTION)
(32 TOTAL)

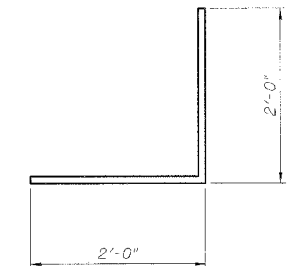


DETAIL 'A'

*** CONNECTION COLLAR
BILL OF MATERIAL**

Bar	No.	Size	Length	Shado
x	100	4	1'-0"	
x1	12	4	19'-11"	
x2	12	4	5'-10"	
x3	12	4	4'-0"	
CONCRETE STRUCTURES			CU. YD.	3.4
REINFORCEMENT BARS			POUND	312

* FOR INFORMATIONAL PURPOSES ONLY. COST TO BE INCLUDED IN THE BID ITEM "PRECAST CONCRETE BOX CULVERT 8'x4'".



BAR x3

**** BOX CULVERT END SECTIONS NO. 4
BILL OF MATERIAL**

ITEM	UNIT	QUANTITY
3 1/2" Ø GALV. STEEL PIPE	EACH	3 @ 19'-9"
1/2" x 4" x 14" GALV. ANCHOR PLATE	EACH	1 @ 9'-6"
5/8" Ø x 9" GALV. BOLTS	EACH	12
1/2" Ø GALV. EXP. BOLTS	EACH	16
9" SQ. OR ROUND 1/2" GALV. PLATE	EACH	8
GALV. STEEL PIPE CAPS	EACH	14

** QUANTITIES GIVEN ARE FOR EACH BOX CULVERT END SECTION. FOR INFORMATIONAL PURPOSES ONLY. COST TO BE INCLUDED IN THE BID ITEM "BOX CULVERT END SECTIONS NO. 4".

GENERAL NOTES

STEEL PIPES SHALL CONFORM TO A.S.T.M. A-53 (TYPE E OR S) GRADE B, SCHEDULE 40, & SHALL BE GALVANIZED CONFORMING TO A.S.T.M. A-120.

STEEL PLATES SHALL CONFORM TO AASHTO M-183 & SHALL BE GALVANIZED CONFORMING TO AASHTO M-111.

BOLTS, NUTS AND WASHERS SHALL BE IN ACCORDANCE WITH ARTICLE 1006.08 OF THE STANDARD SPECIFICATIONS AND SHALL BE GALVANIZED.

THE CONTRACT UNIT PRICE "EACH" FOR BOX CULVERT END SECTION NO. 4 SHALL INCLUDE THE EXPANSION BOLTS, GALVANIZED PIPES, CLASS SI CONCRETE, BOLTS, NUTS, REINFORCEMENT, WASHERS, AND STEEL PLATES.

**BOX CULVERTS END SECTIONS NO. 4
PLAN & ELEVATION
F.A.P. 545 (IL. RTE. 72)
SECTION 114T-1
OGLE COUNTY
STATION 145+06.61
STRUCTURE NO. 071-1152**

DESIGNED	ASP	200
CHECKED	WSP	EXAMINED
DRAWN	BEM	PASSED
CHECKED	ASP	ENGINEER OF BRIDGE DESIGN
		ENGINEER OF BRIDGES AND STRUCTURES