

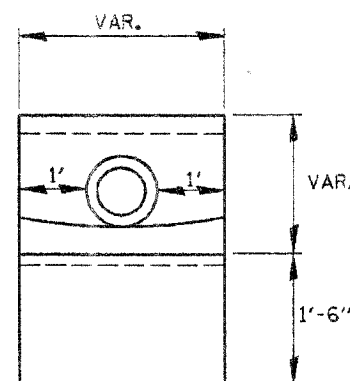
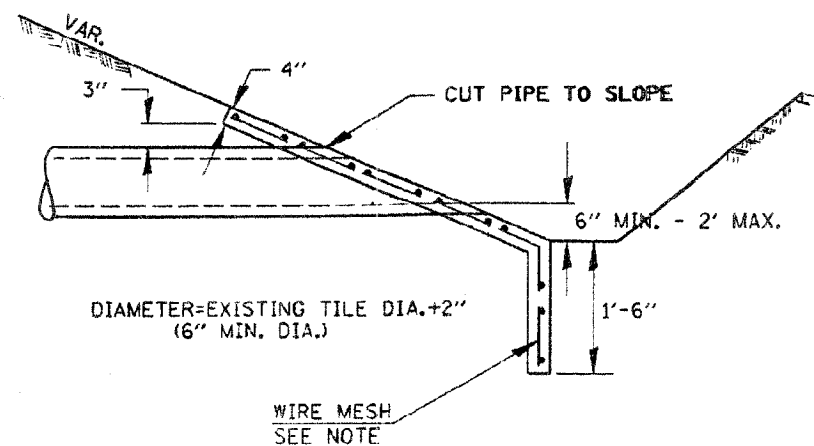
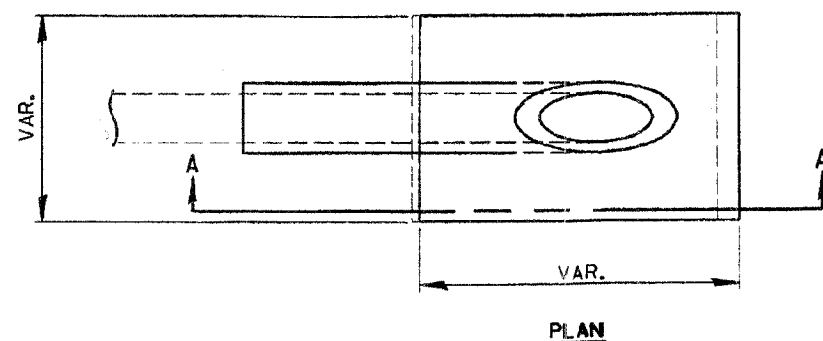
F.A.P. RTE.	SECTION	COUNTY	TOTAL SHEETS	SHEET NO.
545	114T-1		118	68

STA. _____ TO STA. _____
 FED. ROAD DIST. NO. _____ ILLINOIS FED. AID PROJECT

• CARROLL & OGLE

NOTES

1. ANY STORM SEWER OR FIELD TILE OUTLET INTO A DITCH SHALL HAVE A HEADWALL BUILT IN ACCORDANCE WITH THIS DETAIL.
2. COST OF FURNISHING AND INSTALLING WIRE MESH SHALL BE INCLUDED IN THE CONTRACT UNIT PRICE PER CUBIC YARD FOR MISCELLANEOUS CONCRETE. WIRE MESH TO WEIGH NOT LESS THAN 58# PER 100 SQ. FT.



CLASS SI CONCRETE HEADWALLS

PLOT DATE = 12/11/2006
 FILE NAME = M:\V\Co\10832\Dist 2 Var\11-72\FINAL-dist-standard.dwg
 PLOT SCALE = 0.00200 = 1/500
 REFERENCE = SHEET #