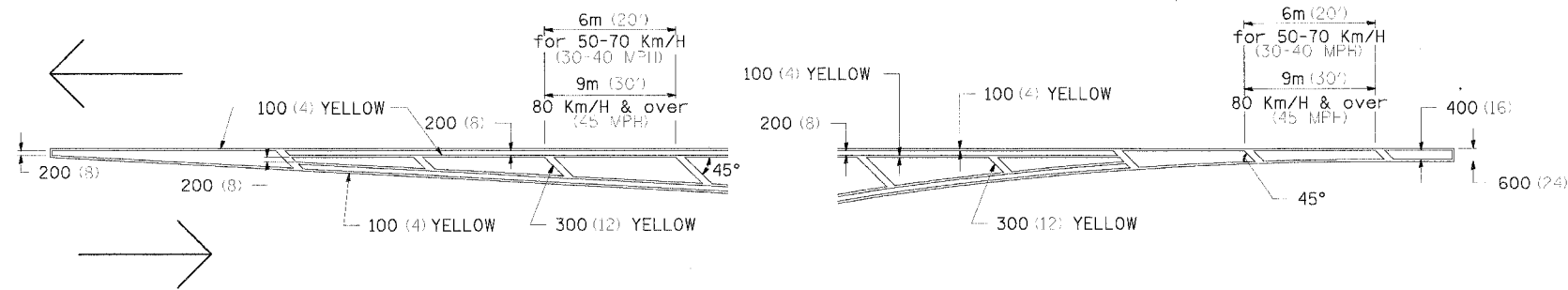


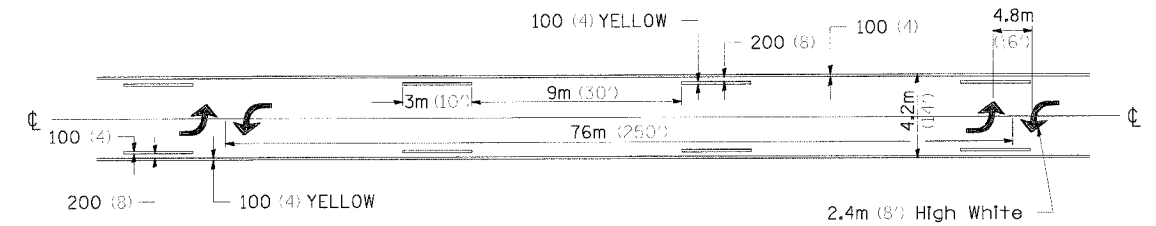
F.A.P. RTE.	SECTION	COUNTY	TOTAL SHEETS	SHEET NO.
545	114T-1	*	118	74
STA.		TO STA.		
FED. ROAD DIST. NO. ILLINOIS FED. AID PROJECT				
* CARROLL & OGLE				

TYPICAL PAVEMENT MARKINGS

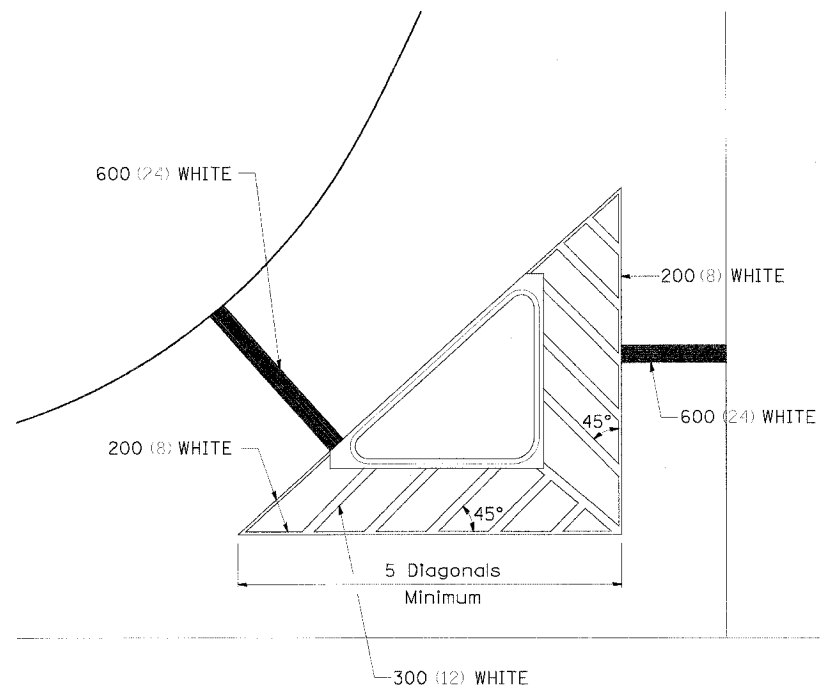
TYPICAL PAVEMENT MARKING FOR FLUSH MEDIAN AT LEFT TURN LANE



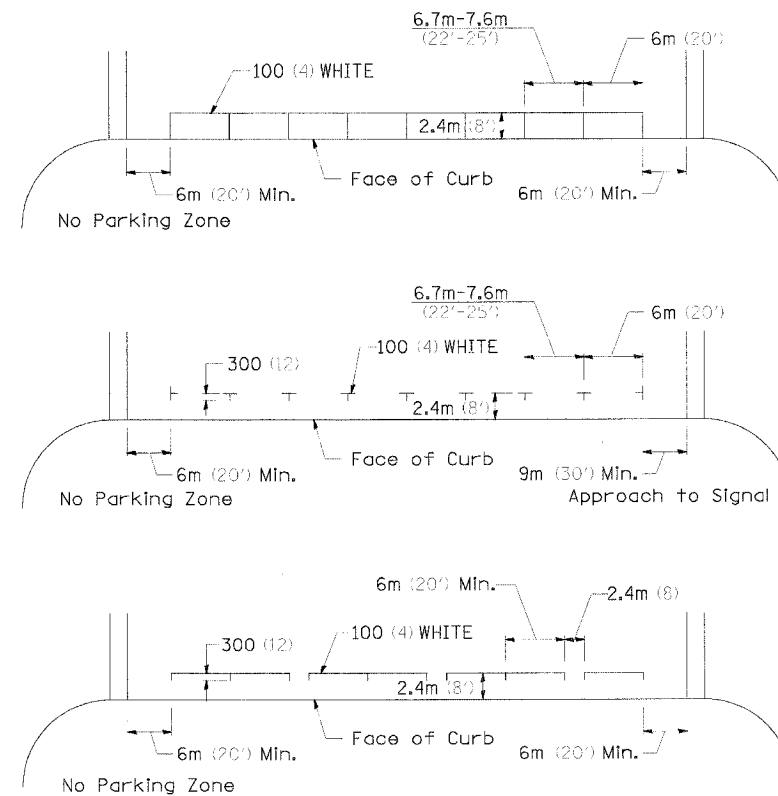
MEDIAN PAVEMENT MARKING



TYPICAL ISLAND OFFSET SHOULDER WIDTH

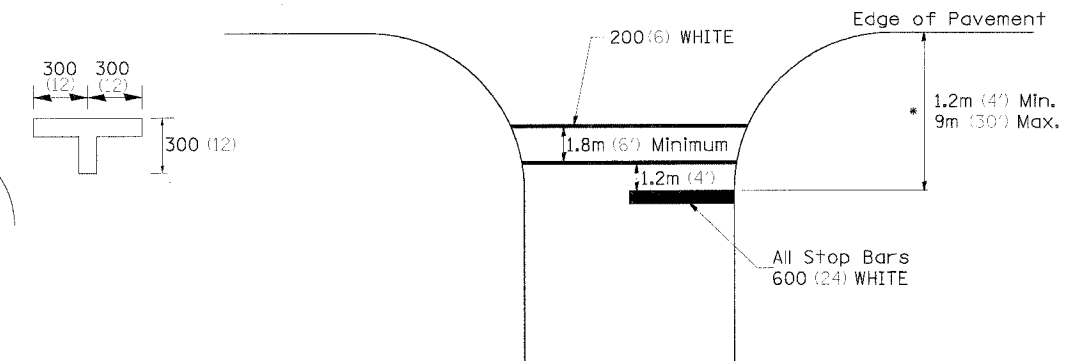


TYPICAL PARKING SPACING



** ALL DIMENSIONS ARE IN MILLIMETERS (INCHES) UNLESS OTHERWISE NOTED.

STANDARD CROSSWALK MARKING
See Schedules for Locations



* Distance to the nearest edge of the intersecting roadway in the absence of a marked crosswalk.

PLOT DATE = 12/11/2005
FILE NAME = MK-Prj-015852\01st 2 Var\11-22\FINAL-dat-standards.dgn
PLOT SCALE = 50.0000 / IN.
REFERENCE = REF#