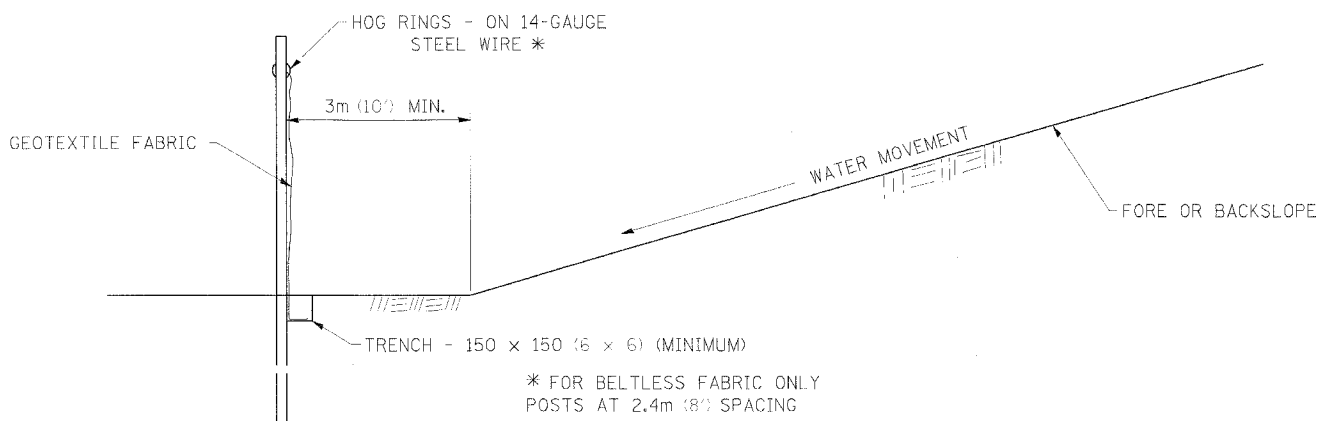
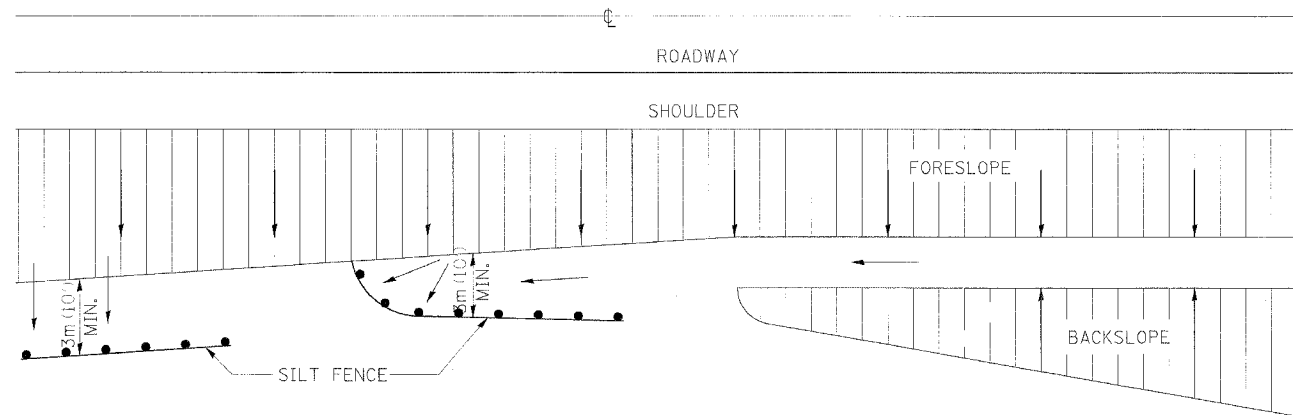


EROSION CONTROL DETAILS FOR SILT FENCE



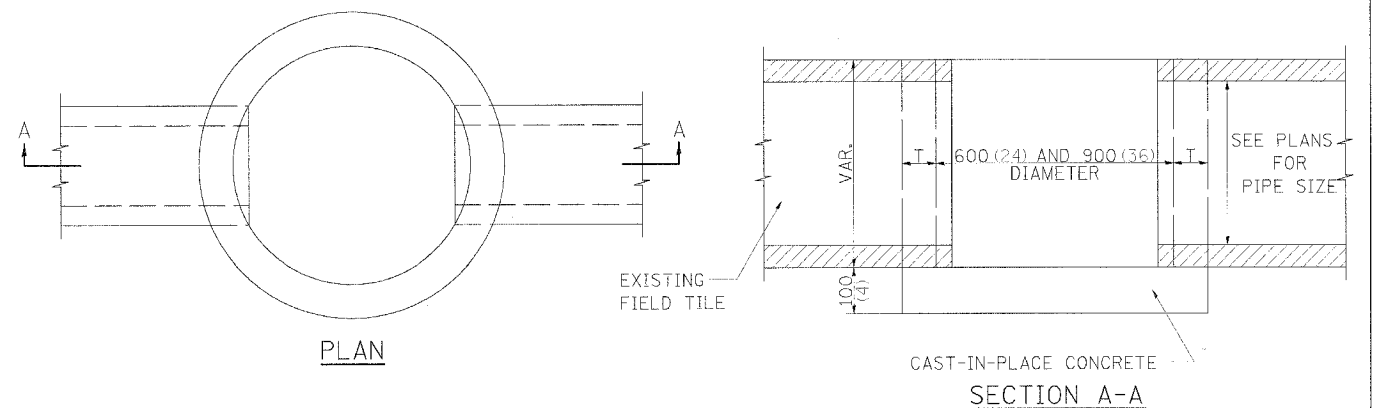
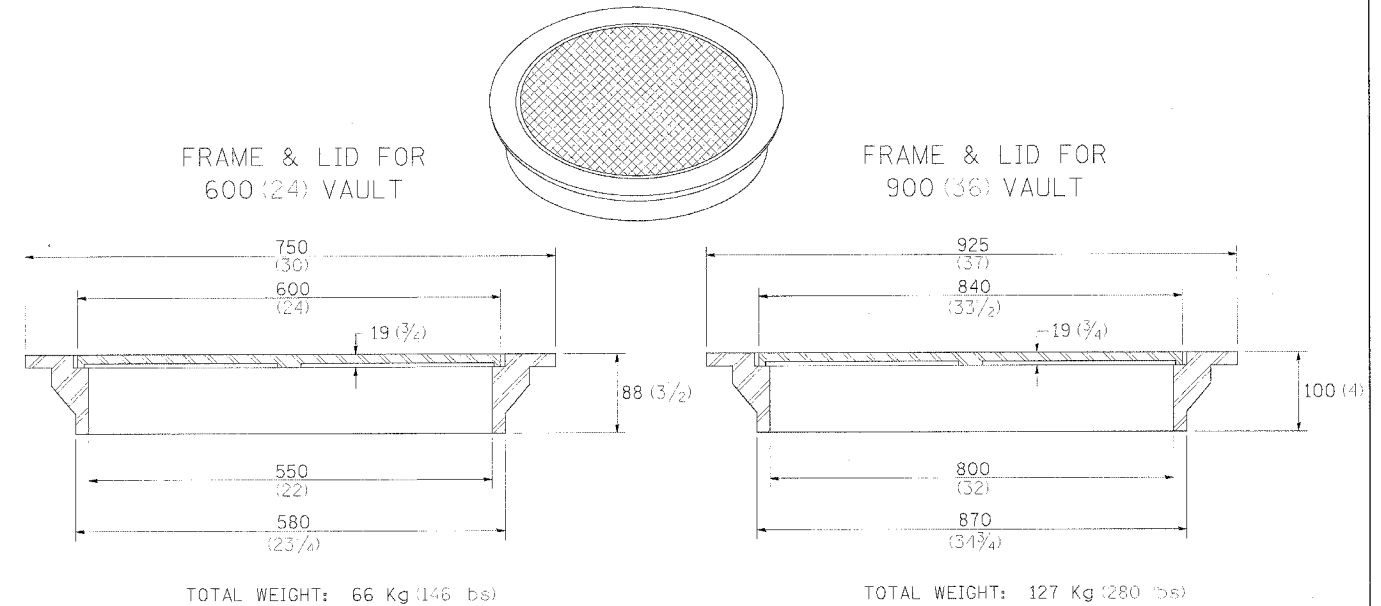
DETAILS OF SILT FENCE

ALL DIMENSIONS ARE IN MILLIMETERS (INCHES) UNLESS OTHERWISE NOTED.

REVISED 10-22-01

FIELD TILE JUNCTION VAULTS 600 (24) AND 900 (36) DIA.

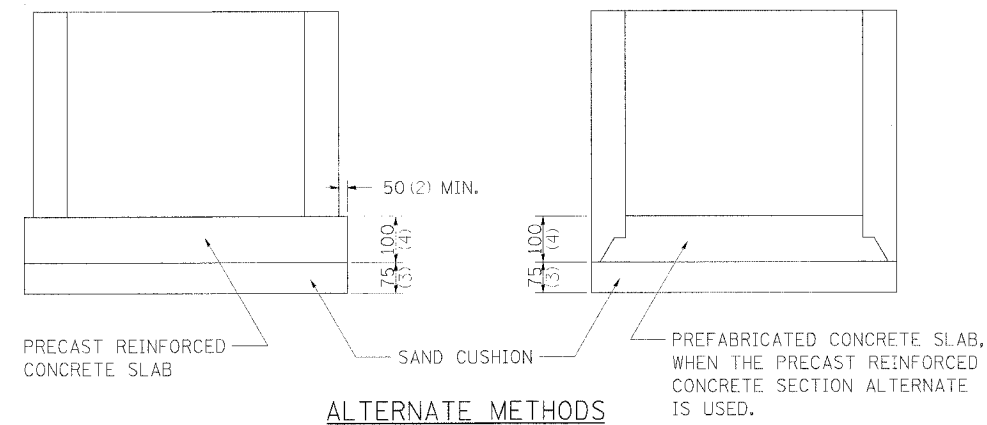
CONTRACT NO. 64C31			
F.A.P. RTE.	SECTION	COUNTY	TOTAL SHEET SHEETS NO.
545	114T-1		118 77
STA.	TO STA.		
FED. ROAD DIST. NO.	ILLINOIS	FED. AID PROJECT	
• CARROLL & OGLE			



ALTERNATE MATERIALS FOR WALLS	T
BRICK MASONRY	200 (8)
CAST-IN-PLACE CONCRETE	150 (6)
CONCRETE MASONRY UNIT	125 (5)
PRECAST REINFORCED CONCRETE SECTION	75 (3)

NOTE: THE FRAME AND LID IS REQUIRED ON ALL JUNCTION VAULTS.

ALL DIMENSIONS ARE IN MILLIMETERS (INCHES) UNLESS OTHERWISE NOTED.



ALTERNATE METHODS

REVISED 5-03-94

PLOT DATE = 12/11/2006
 FILE NAME = M:\P\0532\Dist 2 Var\1L-72\FINAL-dist-stan-ds.dgn
 PLOT SCALE = 50:1
 REFERENCE = BRP