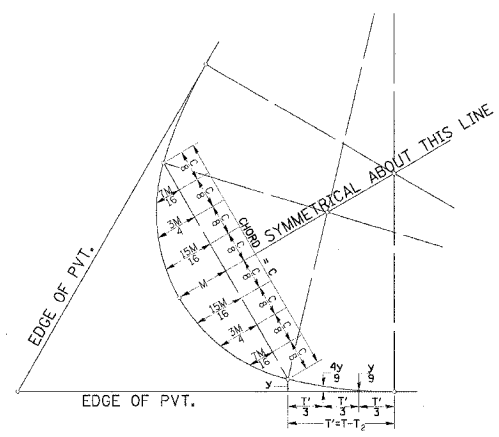
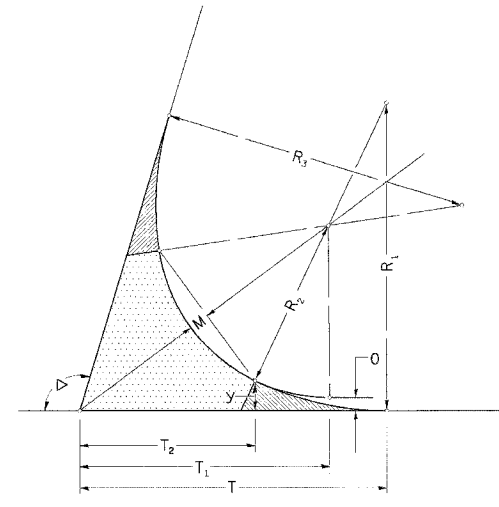


F.A.P. RTE.	SECTION	COUNTY	TOTAL SHEETS	SHEET NO.
545	114T-1		118	78
STA.	TO STA.			
FED. ROAD DIST. NO. ILLINOIS, FED. AID PROJECT				
• CARROLL & OGLE				

THREE CENTER CURVE DATA



FIELD LAYOUT METHOD



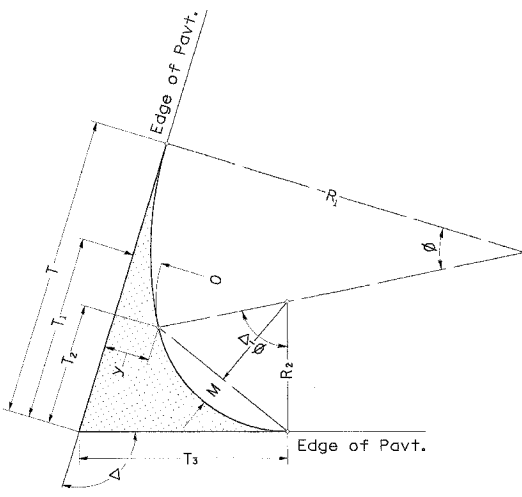
FOR SYMMETRICAL CURVES

SYMMETRICAL CURVES

CURVE #									
R ₁									
R ₂									
R ₃									
O									
Δ									
T									
T ₁									
T ₂									
T'									
y									
4V									
5									
3									
M									
15M									
16									
3M									
4									
7M									
16									
C									

ALL DIMENSIONS ARE IN MILLIMETERS (INCHES) UNLESS OTHERWISE NOTED.

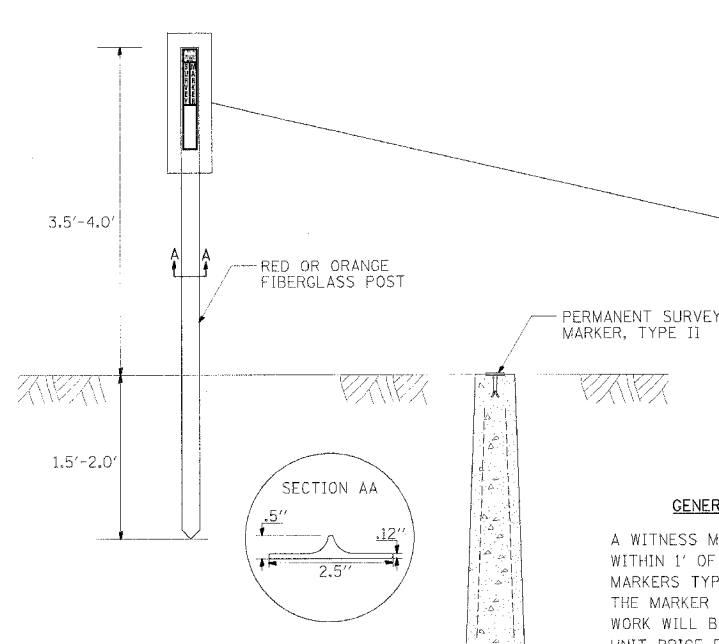
TWO CENTER CURVE DATA



TWO CENTER CURVES

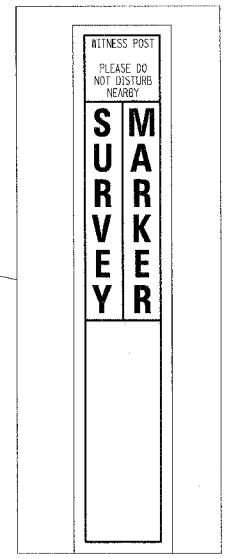
CURVE #	1	2	3						
R ₁	360.00	120.00	150.00						
R ₂	60.00	30.00	50.00						
O	8.00	6.00	8.00						
Δ	89.20	92.10	88.70						
T	127.87	63.65	87.89						
T ₁	59.06	31.34	48.70						
T ₂	45.29	20.57	29.10						
T ₃	67.17	37.12	56.88						
y	9.60	8.00	12.00						
4V	4.27	3.56	5.33						
5	1.07	0.89	1.33						
M	12.70	5.59	7.98						
15M	11.91	5.24	7.48						
16									
3M	9.52	4.19	5.98						
4									
7M	5.56	2.44	3.49						
16									
C	73.83	34.87	54.19						

WITNESS MARKER FOR PERMANENT SURVEY MARKERS, TYPE II

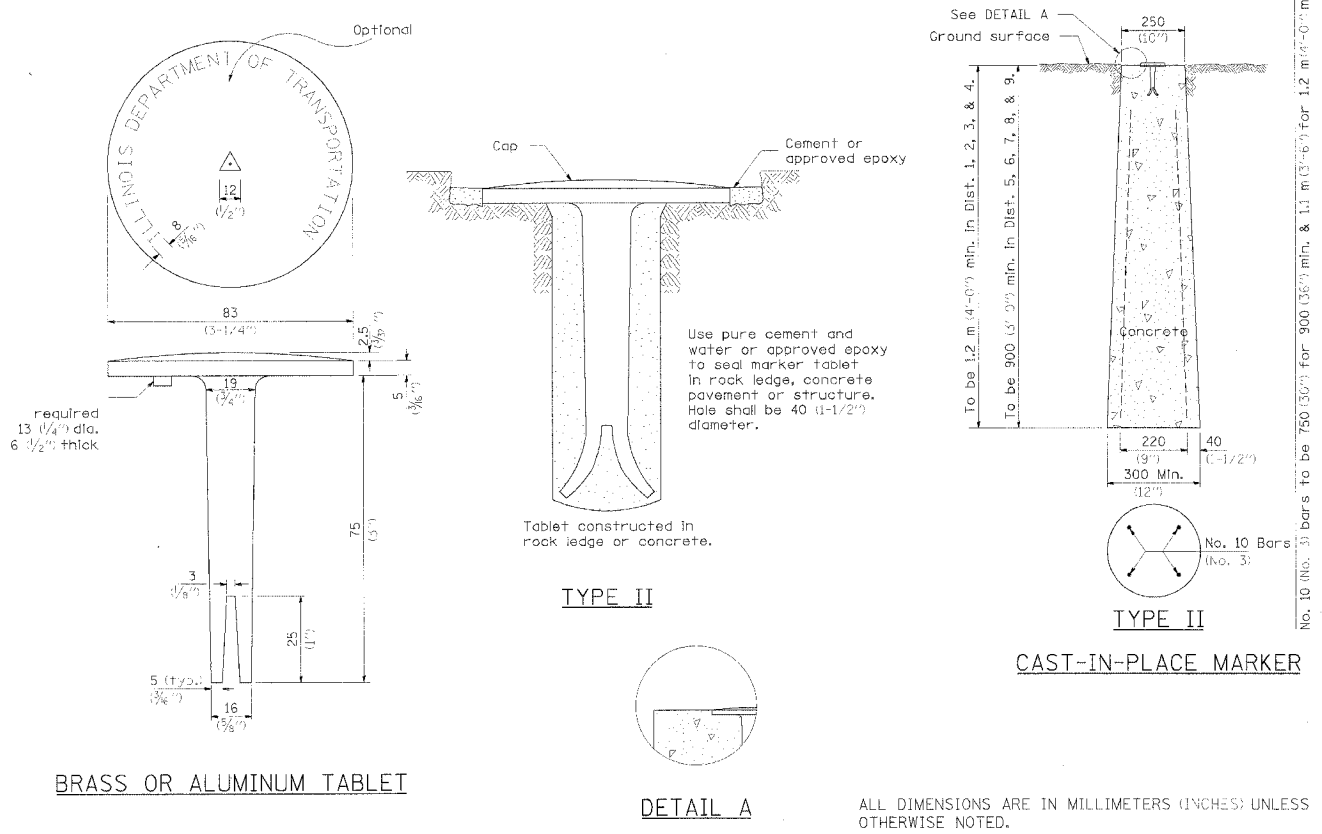


GENERAL NOTES

A WITNESS MARKER SHALL BE INSTALLED WITHIN 1' OF ALL PERMANENT SURVEY MARKERS TYPE II EXCEPT IN AREAS WHERE THE MARKER IS IN THE SIDEWALK. THIS WORK WILL BE INCLUDED TO THE CONTRACT UNIT PRICE PER EACH FOR PERMANENT SURVEY MARKERS, TYPE II.



PERMANENT SURVEY MARKERS, TYPE II



BRASS OR ALUMINUM TABLET

DETAIL A

CAST-IN-PLACE MARKER

ALL DIMENSIONS ARE IN MILLIMETERS (INCHES) UNLESS OTHERWISE NOTED.

PLOT DATE = 12/11/2005
 FILE NAME = M:\P\01\0632\Dist 2\Ver\AL-72\FINAL-dist-sund-df.dgn
 PLOT SCALE = 50:1
 REFERENCE = 4824