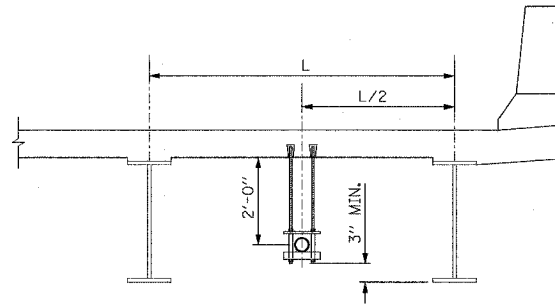


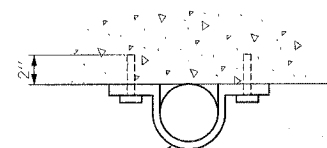
F.A.I. RIE.	SECTION	COUNTY	TOTAL SHEETS	SHEET NO.
39	141 / 201	•	46	45
STA.		TO STA.		
FED. ROAD DIST. NO.	ILLINOIS	FED. AID PROJECT		
•OGLE / WINNEBAGO				



TYPICAL SECTION
 DETAILS FOR PPC BEAMS SIMILAR
 SEE NOTE 5

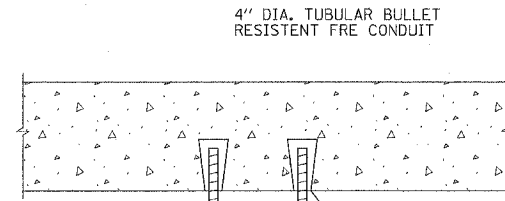
NOTES:

1. ALL HARDWARE (INCLUDING INSERTS) SHALL BE ASTM A307 AND BE HOT DIP GALVANIZED IN ACCORDANCE WITH ASTM A123.
2. ALL-THREAD ROD TO BE CUT FROM 12'-0" HOT DIP GALVANIZED STOCK AND ENDS TO BE COLD GALVANIZED AFTER SIZING AND DRESSING OPERATION (A307).
3. INSERT TO BE STAINLESS STEEL WEDGE ANCHOR TO BE INSTALLED IN ACCORDANCE WITH MANUFACTURER'S INSTRUCTIONS.
4. LOW POINT OF HANGER MUST BE ABOVE BOTTOM FLANGE OF GIRDER.
5. FOR THE PPC BEAM STRUCTURES, IT WILL BE NECESSARY TO CORE A 5" DIAMETER HOLE THROUGH THE PIER DIAPHRAGMS. THE APPROXIMATE DIAPHRAGM THICKNESS IS 2'-0".
6. ALL MATERIAL INCLUDING BUT NOT LIMITED TO CONDUIT, 4" DIA. FRE CONDUIT, 1-1/4" COILABLE NON-METALLIC CONDUITS, HANGERS, STRAPS, CORING, EXPANSION JOINTS AND INSERTS NECESSARY TO INSTALL THE CONDUIT AND CABLE TO THE STRUCTURE AS SHOWN ON THIS DRAWING IS INCLUDED IN PAY ITEM: "CONDUIT ATTACHED TO BRIDGE STRUCTURE, 4", FIBERGLASS REINFORCED EPOXY, SPECIAL".
7. THE 4" FRE CONDUIT SHALL BE BULLET RESISTANT.

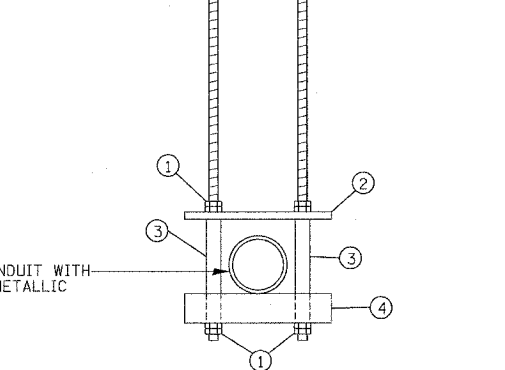


FRE CONDUIT STRAP FOR
 4" DIA. FRE CONDUIT WITH
 COILABLE NON-METALLIC
 CONDUIT

CONDUIT STRAP



4" DIA. TUBULAR BULLET
 RESISTANT FRE CONDUIT



4" DIA. FRE CONDUIT WITH
 COILABLE NON-METALLIC
 CONDUIT

CONDUIT HANGER DETAIL

- 1 5/8" DIA. ALL-THREAD ROD WITH TWO HEX NUTS, ONE FLAT AND ONE LOCK WASHER - H.D.G. (TYP.) AND ONE 1/4" NYLON VIBRATION DAMPING WASHER.
- 2 1/2" X 2" FIBERGLASS FLAT BAR
- 3 1" O.D. FIBERGLASS ROUND TUBE (TYP.)
- 4 2" X 2" X 1/4" FIBERGLASS SQUARE TUBE
- 5 EXPANSION ANCHORS - 3" MINIMUM EMBEDMENT

REVISIONS	
NAME	DATE

ILLINOIS DEPARTMENT OF TRANSPORTATION

**MISCELLANEOUS BRIDGE
 ATTACHMENT DETAILS**

SCALE: VERT. N/A
 HORIZ. N/A
 DATE: DECEMBER 15, 2006

DRAWN BY CKL
 CHECKED BY CAC

PLT DATE * 12/14/2006
 FILE NAME = G:\ENR\06-07\06-13 100T\01\USA\SR104E.Dwg
 USER = USER